

Pisko® SafeLine

Installing the SafeLine end housing for roof walkway and fixing support

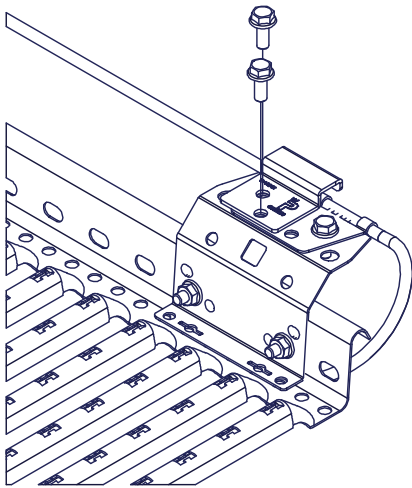
When the SafeLine wire ends at a roof walkway or fixing support for wire holder bracket, first install the wire according to the installation instructions for the particular product and then install the ladder end housing at the wire's end point in accordance with these installation instructions.

The installation instructions show a wire that ends on the right. A wire that ends on the left is installed in the same way, except for the side section, which is always attached to the frame on the side where the wire ends.

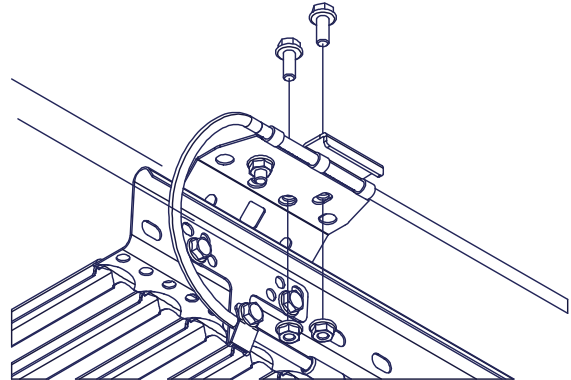
INSTALLATION

Unscrew the fastening screws and nuts on the glider end stop of the last wire holder bracket.

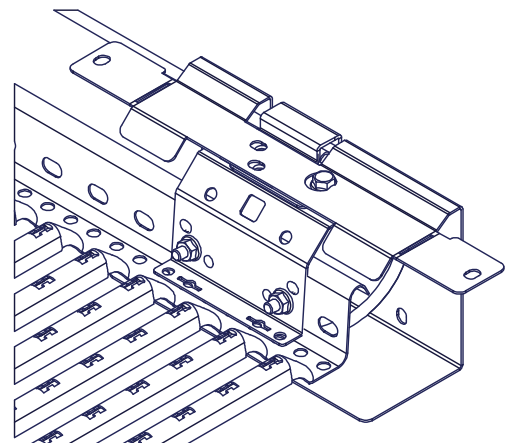
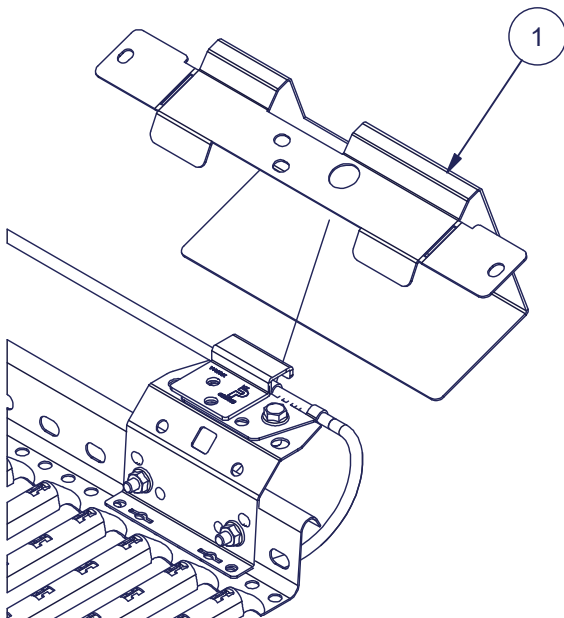
Removing the screws and nuts, illustrated from the top of the roof walkway.



Removing the screws and nuts, illustrated from below the roof walkway.

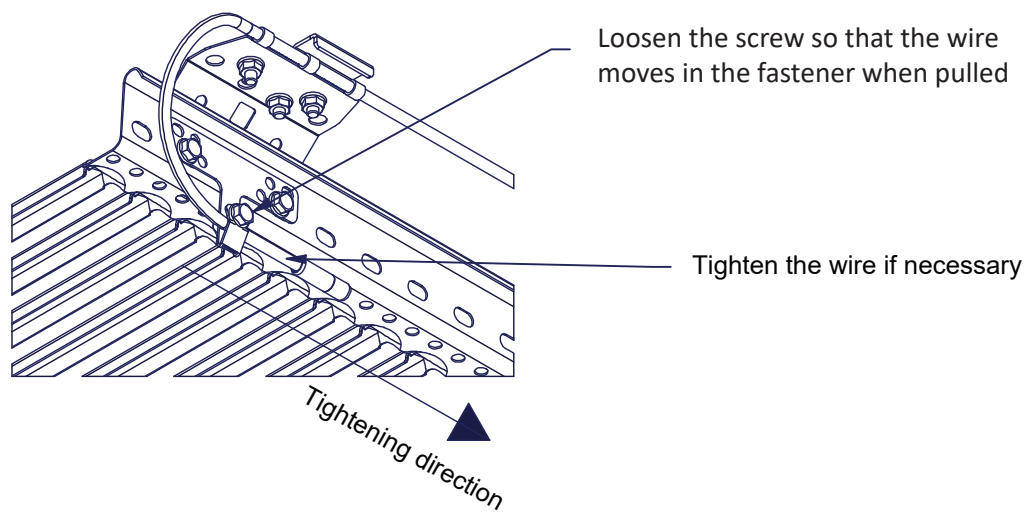


Place the housing frame over the wire holder bracket so that the screw holes in the housing frame align with the holes in the wire holder bracket and the glider end stop. The larger hole in the housing frame should line up with the screw still attached in the wire holder bracket. If the wire does not fit inside the housing frame, first tighten the wire as described in the following section.



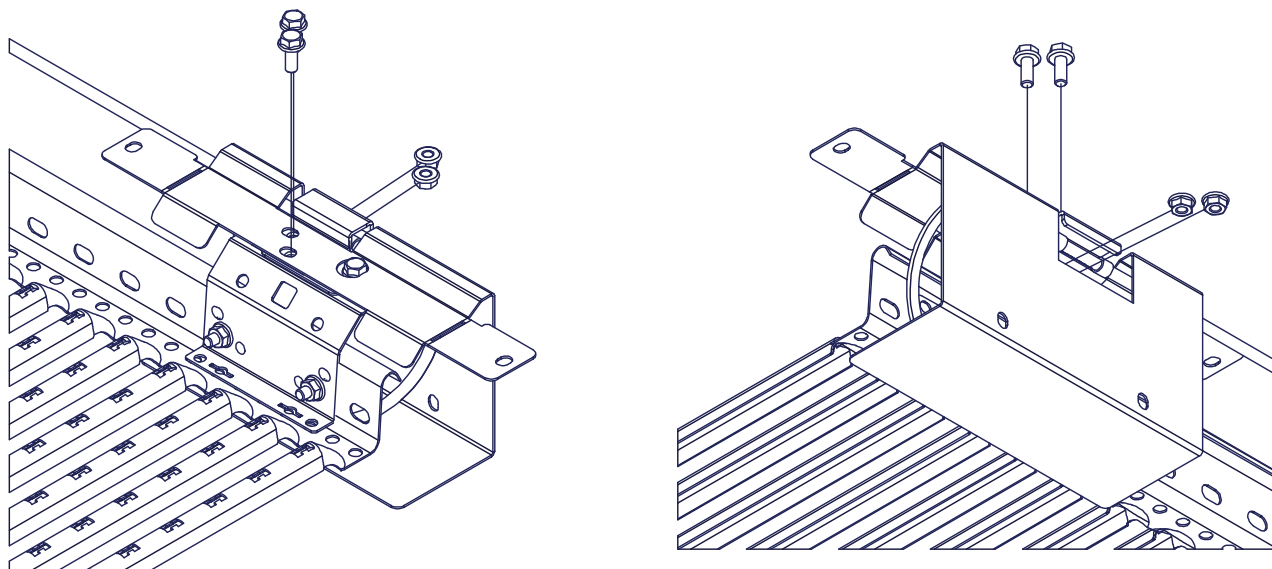
| Part | Description |
|------|---|
| 1 | SafeLine walkway and fixing support housing frame |

If the wire does not fit completely inside the housing frame, tighten the wire at the end. To do this, temporarily loosen the screw on the wire ending bracket.

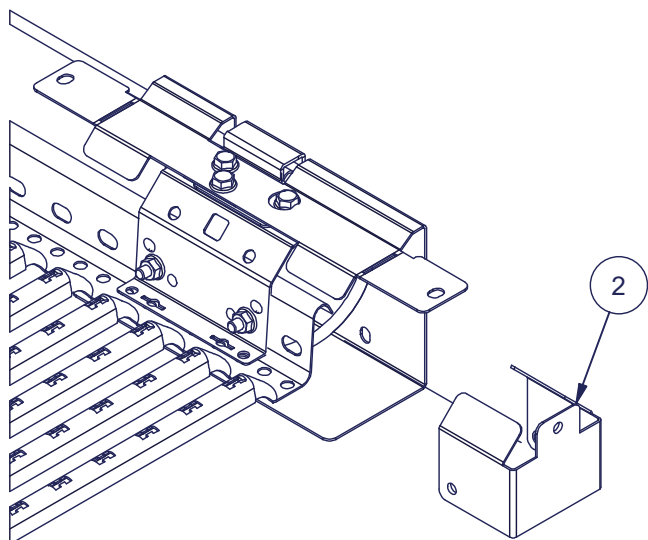


Secure the frame and the glider end stop to the wire holder bracket using the screws you removed earlier.

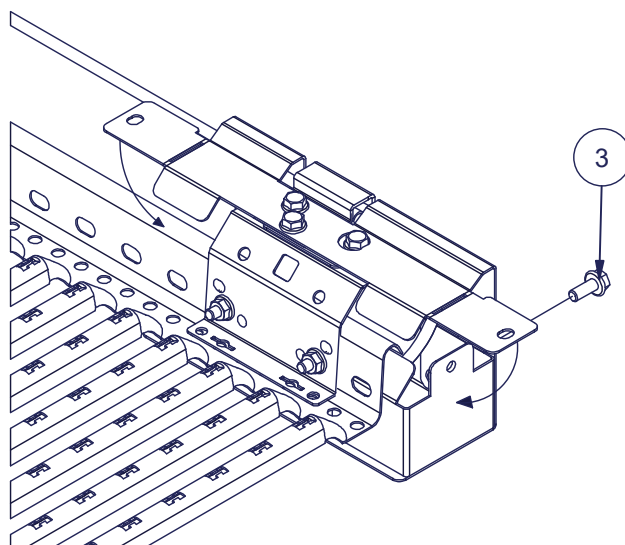
Note! The screw and nut passing through the wire holder bracket also press the surfaces of the wire holder bracket together. The tightening torque is approx. 30 Nm, or until the surfaces are completely against each other at the point of attachment.



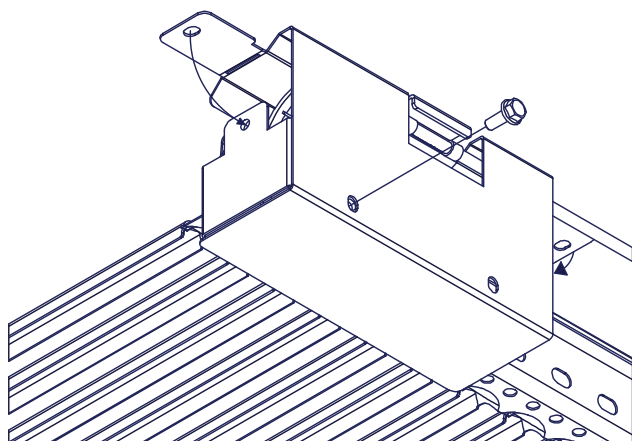
Insert the housing side into the housing frame on the side where the wire ends.



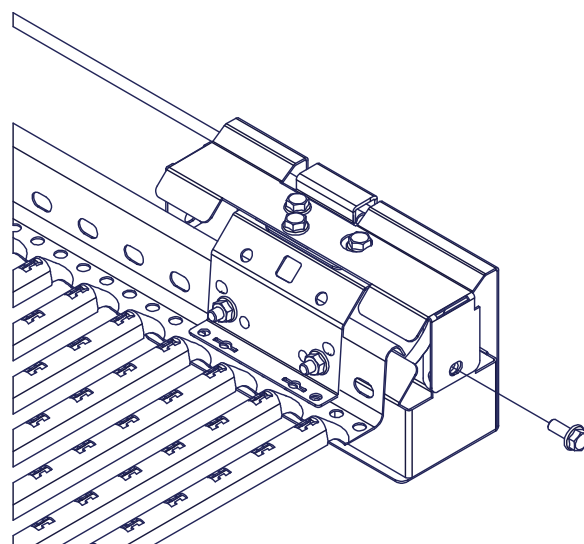
Attach the housing side to the side of the housing frame using a screw. Bend the housing frame lugs downwards by 90 degrees.



The screw mounting hole and the bending of the lugs, illustrated from below underneath the roof walkway



Finally, secure the lugs to the housing side with a screw.



| Part | Description |
|------|--|
| 2 | SafeLine walkway and fixing support housing side |
| 3 | M8x20 Flange screw, serrated A2 |

USE

- Ensure the official commissioning inspection has been carried out by the installer
- Use only original parts provided by Piristeel Oy
- Instructions for the proper use of access ways can be found in separate product specific instructions
- Connect to the wire only with a glider certified for Pisko SafeLine system
- Pisko SafeLine wire system is to be used as a fall protection when moving along the appropriate path along the danger zones of the roof. Leaning heavily on the wire while working on the roof might damage the system
- Do not use the system if there is any visible damage
- Access ways used for Pisko SafeLine installation must be executed according to Class 2 performance
- SafeLine installed in a ladder can have only one person at a time
- Two persons are allowed to be attached on the Pisko SafeLine wire simultaneously on a walkway, a bitumen roof installation or a standing seam installation when there are at least two Pisko SafeLine wire holder brackets between the two persons
- Connecting to the wire is only allowed between Pisko SafeLine wire holder brackets. Connecting is NOT allowed after the last bracket, even if there is a loop formed by the wire
- Pisko SafeLine wire system is not suitable for sports or recreational activities
- Make sure that the harness matches the requirements provided in standard EN 361, and that the harness has not been damaged. In addition, adjust the harness to the correct measurements before use of the system, and, if required also adjust the harness during use
- Use only proper safety ropes intended to be used as a Personal Protective Equipment

MAINTENANCE

To ensure the reliability and safety of the products, the property owner must carry out yearly inspection and maintenance procedures, by a professional authorized by the manufacturer.

Yearly Maintenance inspection checklist for Pisko Safeline wire system:

- Check the tightness of joints, connections and attachments
- Check that there are no damaged wire holder brackets, ladder fixing pieces or flat roof fixing pieces for wire holder
- Check that the wire is undamaged
- Check that the glider(s) is undamaged
- Test the movement of glider stoppers for ladders and check that the parts of the stopper are not damaged
- If the wire system is attached to a ladder or a walkway, inspect those parts according to their own maintenance instructions
- Replace any damaged or faulty parts immediately
- Use only original parts provided by Piristeel oy when replacing damaged parts.
- Additional information can be found on separate inspection form or Pisko Pro app



C900083

Commissioning inspection done by

Company

Inspector

Date