

Pisko® SafeLine Installing the SafeLine end housing for ladder

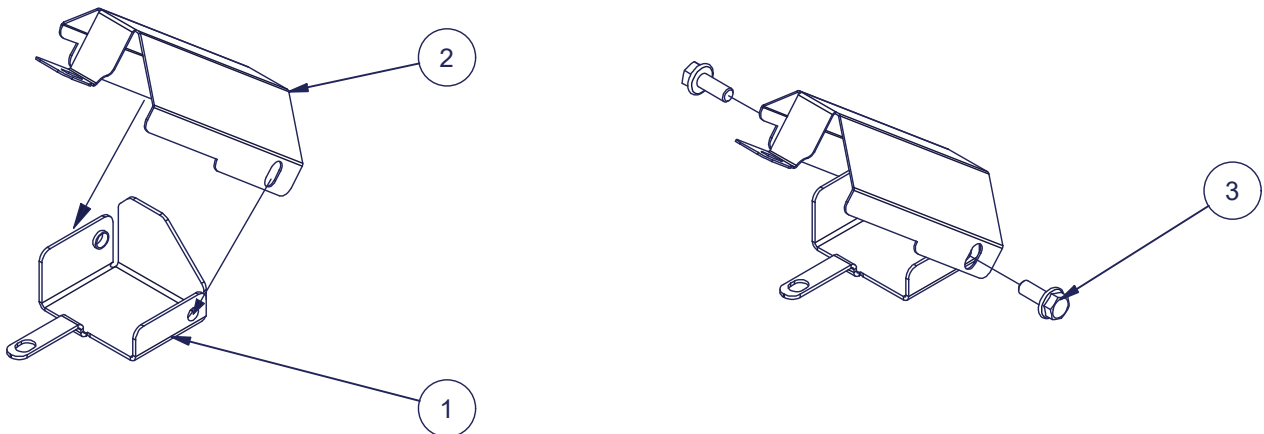
When the SafeLine wire ends at a roof or wall ladder, first install the wire according to the installation instructions for the particular product and then install the ladder end housing at the wire's termination point in accordance with these installation instructions.

Despite the slight asymmetry of the end housing components, the end housing is installed in the same manner regardless of which side of the ladder the wire runs on.

In the drawings, the wire illustrates the route of the installed wire, but the details of the wire shown in the drawings, such as bends and curves, may differ from the actual shapes of the wire.

INSTALLATION

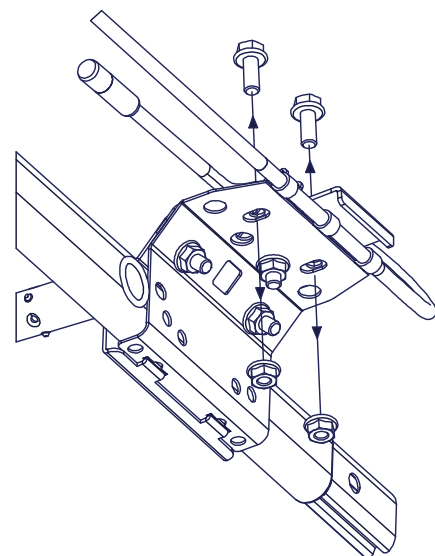
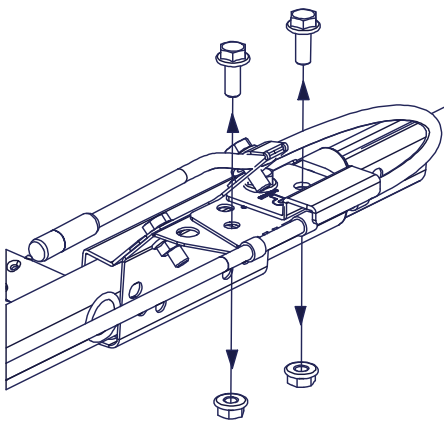
Assemble the bottom plate and top plate of the end housing by fastening them together at the sides with M8 screws (2 pcs).



Unscrew the fastening screws and nuts (2 pcs) located nearest to the wire on top of the last wire holder bracket.

Removing the screws, illustrated from the top of the ladder.

Removing the screws, illustrated from below the ladder.



Part	Description
1	SafeLine bottom plate of ladder end housing
2	SafeLine top plate of ladder end housing
3	M8x20 Flange screw, serrated A2

Place the end housing on the end of the wire on the wire holder bracket so that the mounting hole in the bottom of the housing aligns with the screw hole in the wire holder bracket. Secure the end housing to the wire holder bracket by placing the removed screw and nut back in.

If the wire prevents the end housing from being positioned correctly, the wire must be tightened at the end. To do this, temporarily loosen the screw on the wire holder bracket.

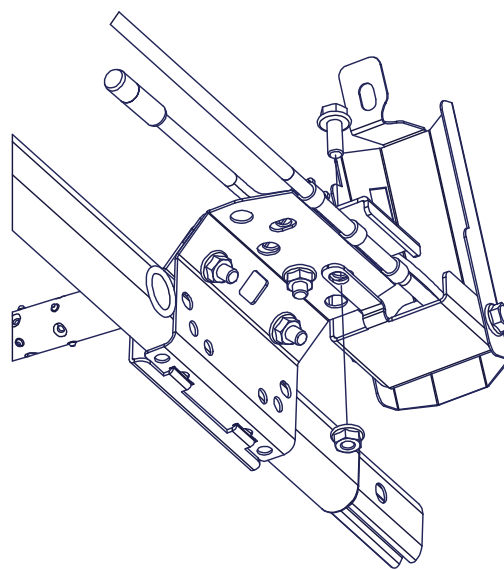
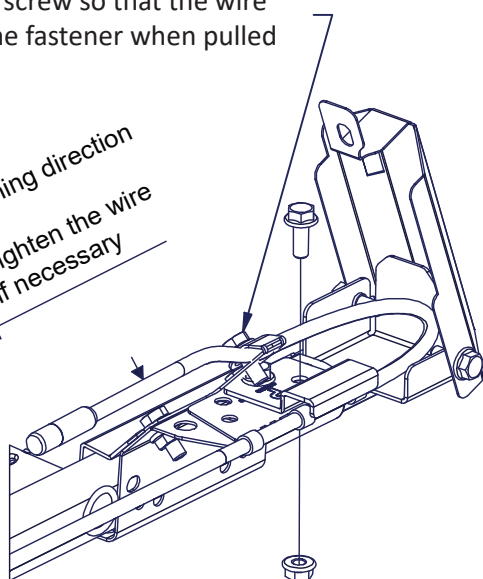
Note! The screw and nut passing through the wire holder bracket also press the surfaces of the wire holder bracket together. The tightening torque is approx. 30 Nm, or until the surfaces are completely against each other at the point of attachment.

The end housing is shown in place, illustrated from above the ladder.

The end housing is shown in place, illustrated from bottom of the ladder.

Loosen the screw so that the wire moves in the fastener when pulled

Tightening direction
Tighten the wire
if necessary

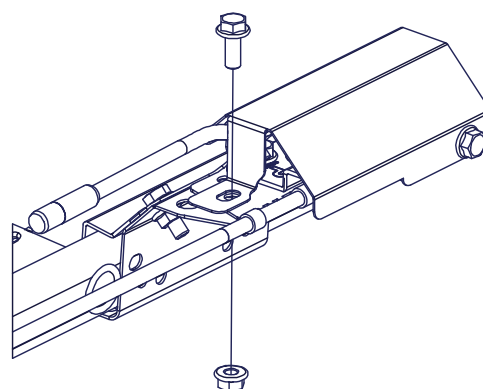
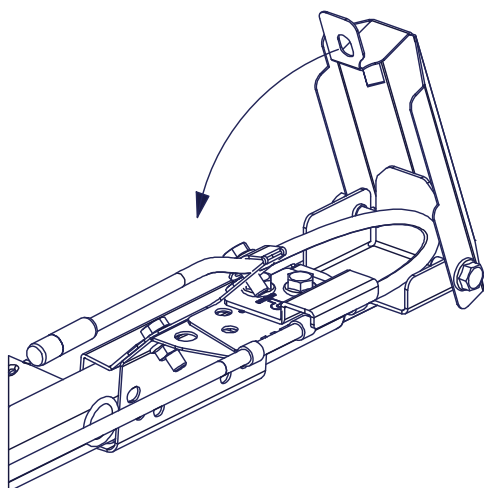


Flip the end housing top plate over the wire holder bracket.

Secure the top plate with a screw and nut. Finally, tighten the side screws.

Note! The screw and nut passing through the wire holder bracket also tighten the surfaces of the wire holder bracket together. The tightening torque is approx. 30 Nm, or until the surfaces are completely against each other at the point of attachment.

In the picture, the end of the wire comes out from the left side of the end housing's mounting lug, but it can also come out from the right side of the end housing's mounting lug.



USE

- Ensure the official commissioning inspection has been carried out by the installer
- Use only original parts provided by Piristeel Oy
- Instructions for the proper use of access ways can be found in separate product specific instructions
- Connect to the wire only with a glider certified for Pisko SafeLine system
- Pisko SafeLine wire system is to be used as a fall protection when moving along the appropriate path along the danger zones of the roof. Leaning heavily on the wire while working on the roof might damage the system
- Do not use the system if there is any visible damage
- Access ways used for Pisko SafeLine installation must be executed according to Class 2 performance
- SafeLine installed in a ladder can have only one person at a time
- Two persons are allowed to be attached on the Pisko SafeLine wire simultaneously on a walkway, a bitumen roof installation or a standing seam installation when there are at least two Pisko SafeLine wire holder brackets between the two persons
- Connecting to the wire is only allowed between Pisko SafeLine wire holder brackets. Connecting is NOT allowed after the last bracket, even if there is a loop formed by the wire
- Pisko SafeLine wire system is not suitable for sports or recreational activities
- Make sure that the harness matches the requirements provided in standard EN 361, and that the harness has not been damaged. In addition, adjust the harness to the correct measurements before use of the system, and, if required also adjust the harness during use
- Use only proper safety ropes intended to be used as a Personal Protective Equipment

MAINTENANCE

To ensure the reliability and safety of the products, the property owner must carry out yearly inspection and maintenance procedures, by a professional authorized by the manufacturer.

Yearly Maintenance inspection checklist for Pisko Safeline wire system:

- Check the tightness of joints, connections and attachments
- Check that there are no damaged wire holder brackets, ladder fixing pieces or flat roof fixing pieces for wire holder
- Check that the wire is undamaged
- Check that the glider(s) is undamaged
- Test the movement of glider stoppers for ladders and check that the parts of the stopper are not damaged
- If the wire system is attached to a ladder or a walkway, inspect those parts according to their own maintenance instructions
- Replace any damaged or faulty parts immediately
- Use only original parts provided by Piristeel oy when replacing damaged parts.
- Additional information can be found on separate inspection form or Pisko Pro app



C900083

Commissioning inspection done by

Company

Inspector

Date