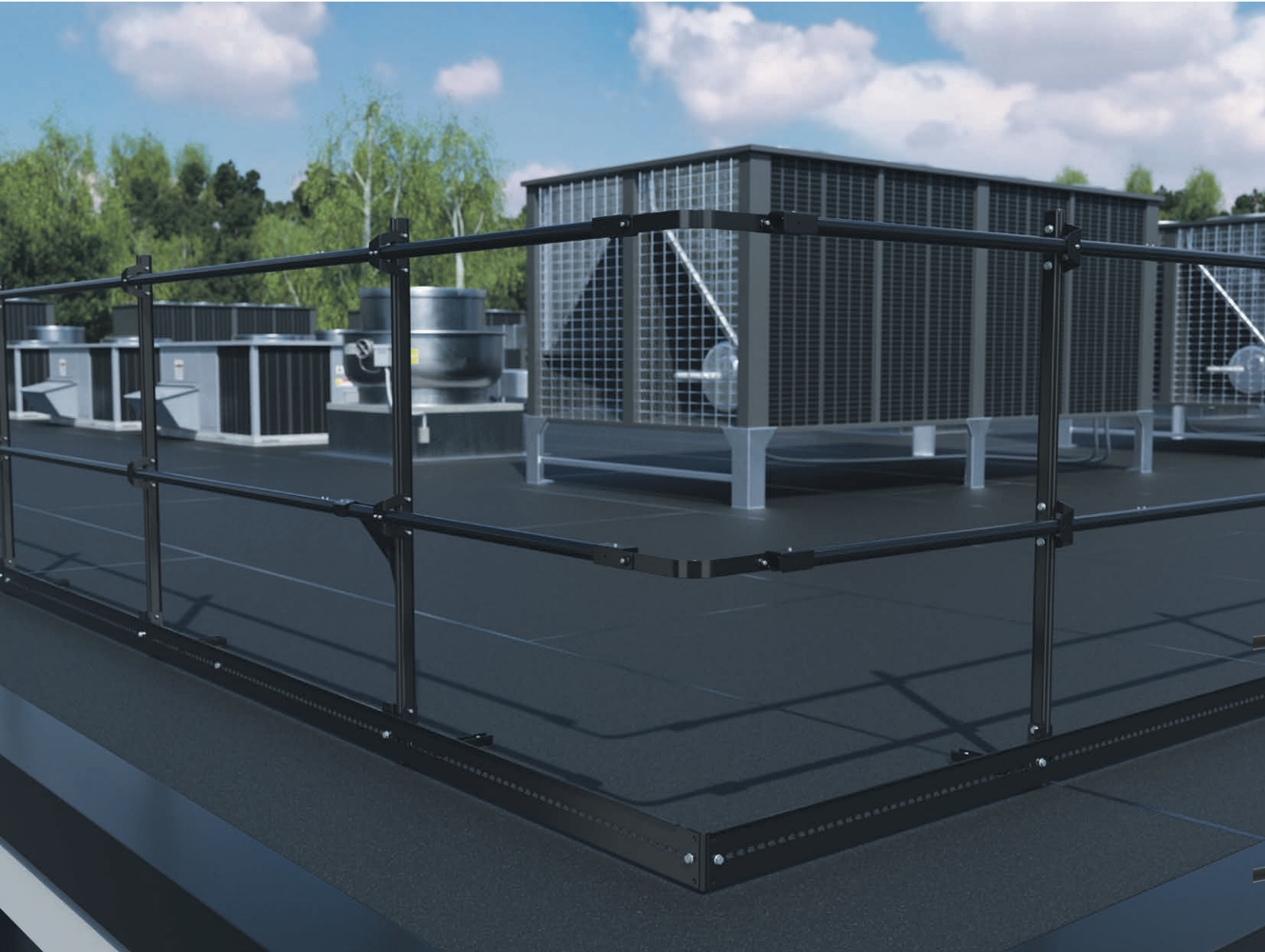




Safety for moving
around on the roof



Pisko[®] Safeguard guardrail system

Safety for moving around on the roof

Pisko® Safeguard guardrail system

Pisko® Safeguard guardrail system provides permanent, passive fall protection that ensures safety for everyone moving around on the roof – without compromise. The tested and P-marked system combines installer-friendliness, a durable steel structure, and adaptability to different roofs.

Moving around safely without compromise

Pisko® Safeguard guardrail system is a permanent passive fall protection system that works without any separate action on the part of the user. Once installed, the railing protects everyone on the roof - including occasional visitors without fall protection training - and ensures that legal safety requirements are met regardless of who is working on the roof.

Unlike solutions based on safety ropes, Pisko® Safeguard does not restrict movement on the roof. Its clear structure reduces the risk of tripping and makes working safe and flexible. If necessary, the railing can also be used as an attachment point for a safety rope when working outside the railing line.



Revolutionary installer - friendliness

The system is designed to be installer-friendly. Its modular structure, type-tested fastening methods, and innovative handrail brackets make installation quick and easy.

A patent has been applied for this solution, which demonstrates its uniqueness and practicality. When work progresses smoothly, you save both time and money.

Versatile and customizable

Pisko® Safeguard is a modular solution that can be installed on flat roofs directly on the roof surface with Pisko® mounting plate for waterproofing membrane roof, or combined with Pisko® access ways on steeper roofs.

Accessories such as kickplates and diagonal support brackets enhance safety and usability. The system is available in all standard colors, making it easy to match the appearance to the building.



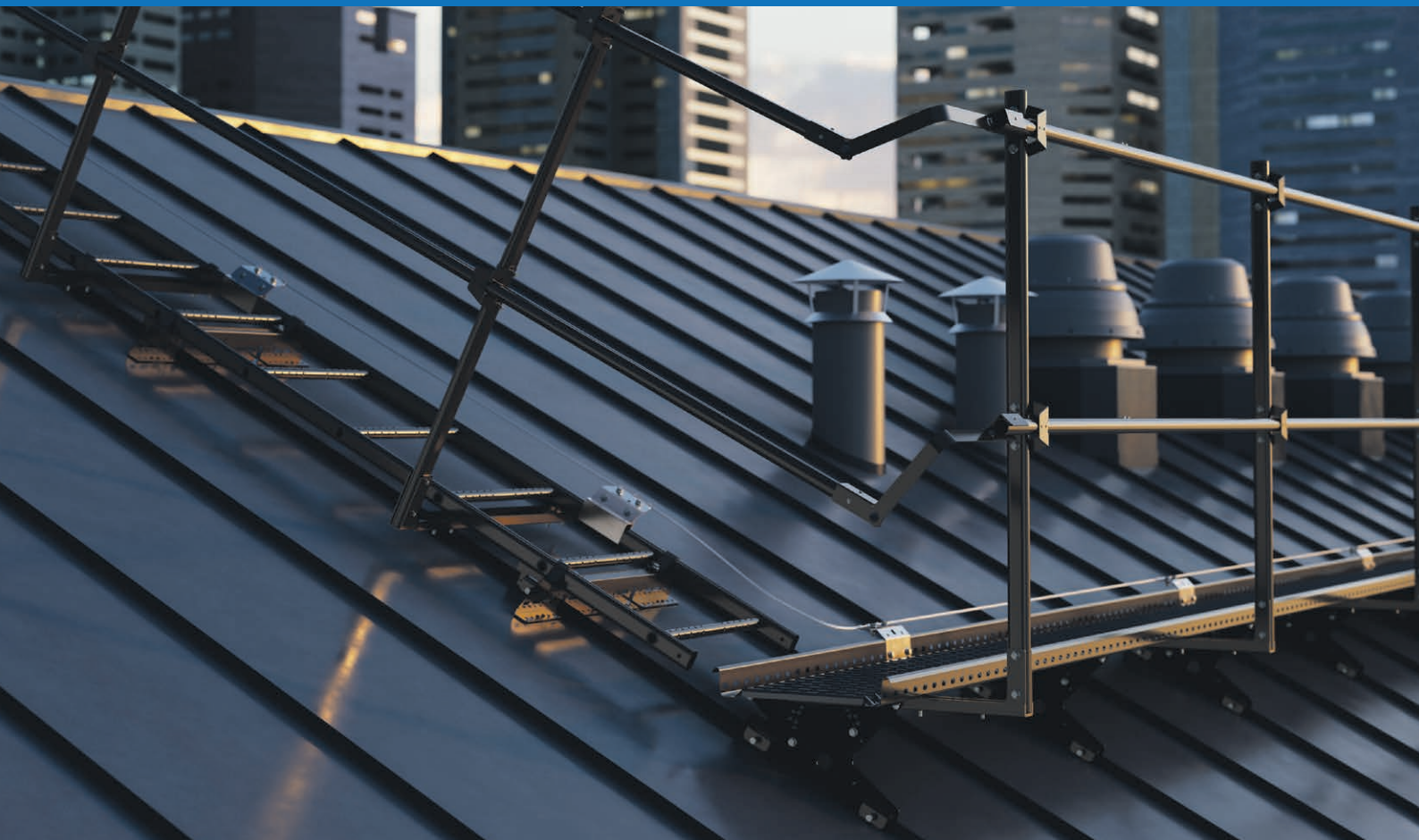
Tested and certified reliability

Safety is not just a promise, but a proven feature. Pisko® Safeguard has been tested and dimensioned in accordance with standard SS 831333:2021 and certified with the P-mark, which corresponds to the CE marking requirements. The system withstands demanding load and drop tests, so you can rely on its performance in all conditions.



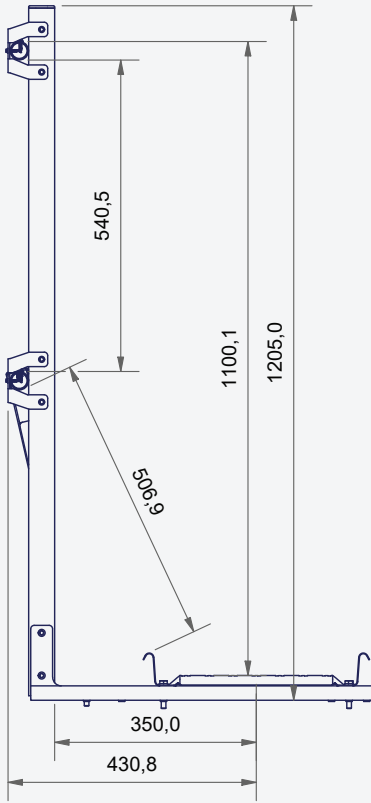
Sustainable and environmentally responsible

The guardrail system is made of hot-dip galvanized and powder-coated steel, which ensures excellent corrosion resistance and a long lifespan. The EPD for Piristeel's roof safety products covers Pisko® Safeguard, so the environmental impact is documented transparently. The guardrail system is provided with a 50-year technical warranty – an investment that lasts.

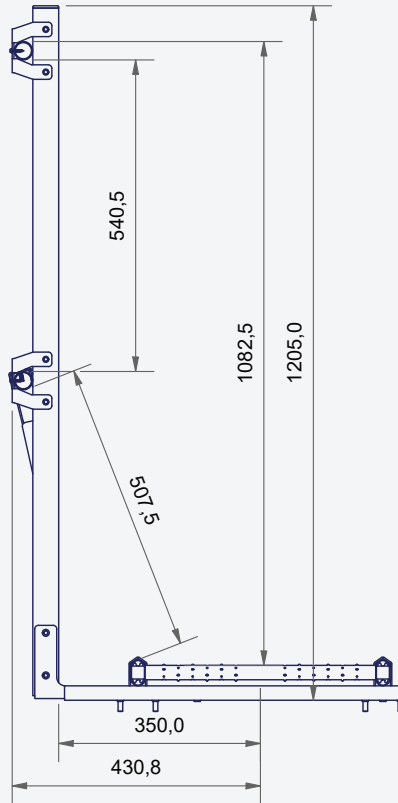


Guardrail system measurements

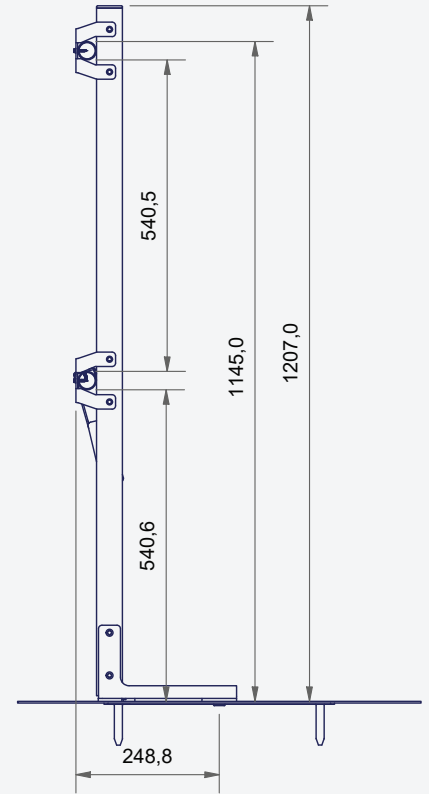
Roof walkway



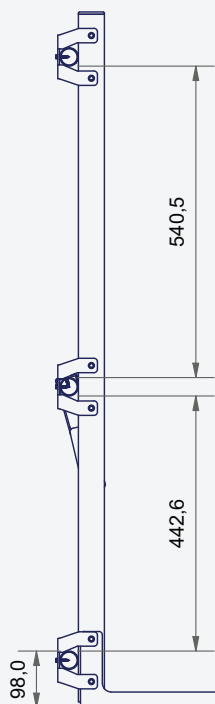
Roof ladder



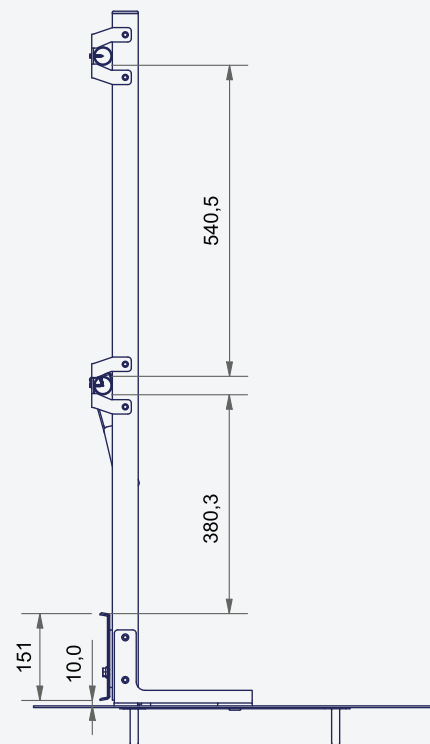
Waterproofing membrane roof



Third handrail



Kickplate



Technical product information

Pisko Safeguard guardrail system	Information
Weight of railing kg/m	- Roof walkway and roof ladder ca. 4,2 kg/m - Waterproofing membrane roof ca. 4,8 kg/m
Suitable slope range for installation	- Roof ladder maximum of 45° to the direction of the access way - Roof walkway parallel to the slope max 12° to the direction of the access way - Waterproofing membrane roofs max angle of 6° perpendicular to the railing
Raw material	Hot-dip galvanized steel
Coating	Qualicoat 1 quality level powder coating
Coating warranty*)	15 years
Technical warranty *)	50 years
Climate stress class, product usage recommendation	C2-C3
Corrosion protection performance (ISO 12944-6:2018) **)	
Stress class (ISO 12944-2:2017)	C4
Durability class (ISO 12944-1:2017)	M (medium)
Applied standards and regulations	
SS 831333	Static load test
EN 516	EN 516:2006 8.2 Prefabricated accessories for roofing. Installations for roof access. Walkways, treads and steps.
EN 10346	Thin sheet steels coated using a continuous hot-dip coating process. Technical delivery conditions
EN 10143	Thin sheet steels coated using a continuous hot-dip method. Dimensional and shape tolerances (where applicable)
Product approval	Product certificate / RISE C900083
Safety rope attachment point ***)	Yes
Delivery contents	Installation kits contain the necessary brackets and fixing materials in shrink-wrap. Vertical posts, handrails and other accessories are loose pieces.
Packing method	Shrink wrap/ loose items
Maintenance	In accordance with the product's installation, use, and maintenance instructions. Stubborn dirt can be cleaned with steel surface cleaning agents, such as Tikkurila Panssaripesu or Teknos Rensa steel, in accordance with the manufacturer's instructions. For removing very stubborn dirt, you can use a rag with turpentine and rinse with water after treatment.
Place of manufacture	Finland, Kauhava
Manufacturer	Piristeel Oy

*) According to the terms of the Pisko product warranty

**) Under normal conditions (C2-C3), durability is high. C4 conditions are extremely aggressive corrosion environments and occur mainly on the west coast of Sweden and the coast of Norway in close proximity to the sea. Durability is moderate (C4 M) when tested according to standard EN ISO 12944-6, and maintenance/repainting should be carried out after 7-15 years of outdoor use, or more frequently if necessary.

***) When installed on the base according to the installation instructions. Primary attachment point at a low point (post bracket). Maximum load according to the instructions for the safety rope used.



piri  **steel**