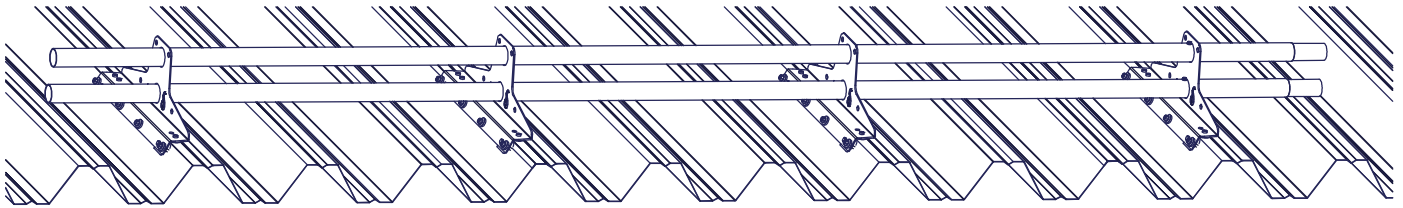


Snow guard for load-bearing profiled sheets over 45 mm of height

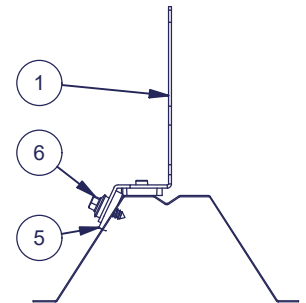
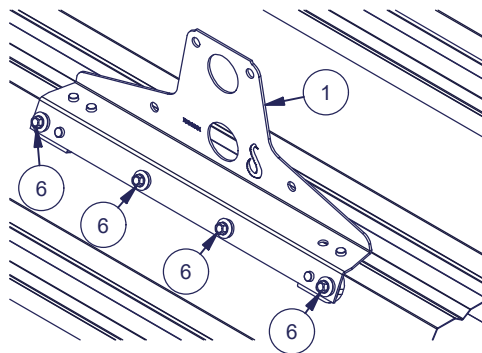
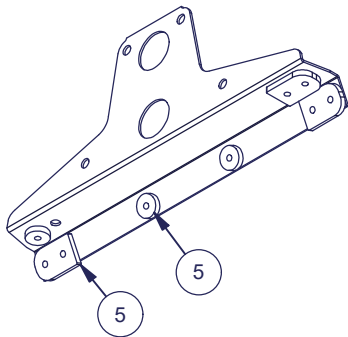


INSTALLATION

The LE 350 on top of profile fastener can only be installed on the surface of the load-bearing profiled sheet when the material thickness of the profiled sheet is at least 0.6 mm.

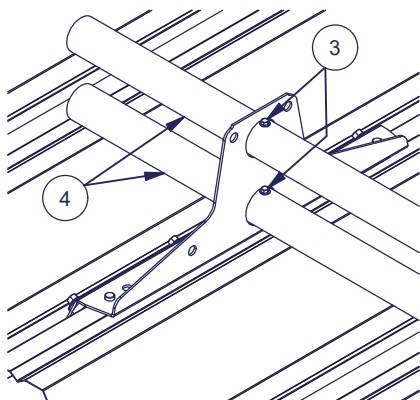
The watertightness of the fastening is ensured with Pisko 2+1 seals (5) or, for example, EPDM sealant strip.

Attach the fastener (1) on the profile using four Pisko sheet metal screws (6) or 7x40 HVAC screws (2) from the side fold of the fastener to the groove of the profiled sheet. Snow guards are installed as close to the eaves as possible.



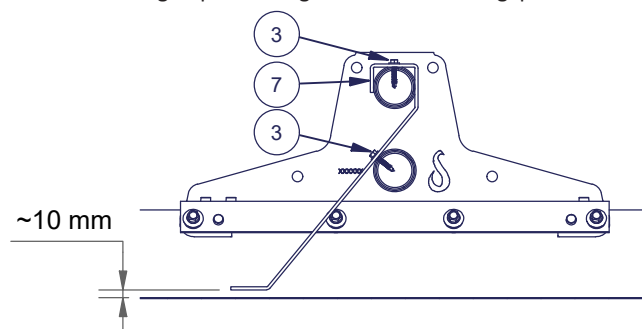
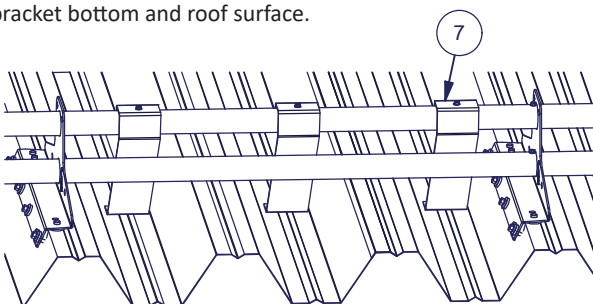
Snow guard pipes (4) are slid into place and locked with locking screws (3) from the inside of the outermost fasteners. The snow guard pipes are joined together with a nested connection.

Maximum distance of LE 350 on top of profile fasteners is 1000 mm. Maximum protrusion of the snow guard pipes from the outermost fastener is 200 mm.



Part	Description
1	LE 350 on top of profile (545)
2	HVAC screw 7x40 mm (664) (suitable for outdoor use)
3	Locking screw 4,8 x 19 mm (suitable for outdoor use)
4	Snow guard pipe 32 mm x 3000 mm (502)
5	Pisko 2+1 seal (582)
6	Pisko sheet metal screw 6,3x19 RST (669)
7	Extra bracket for profile bottom (509)

With high profiled sheets, it is recommended to use Extra brackets for profile bottom (7) that can be attached to Pisko snow guards to prevent ice and snow from sliding under the snow guard. The extra brackets are dimensioned according to profile height so there is a gap of ~10 mm between the bracket bottom and roof surface.



MAXIMUM LENGTH OF ROOF SLOPE (RT Reference Card 85-11132)

Indicative figures for the maximum distance (m) of the roof slope above the snow guard on a smooth surface. The maximum distance on coarse roofs, such as bitumen roofs can be increased by 1.3 – 1.5 times the stated amount. The snow load values shown are the actual snow loads on a roof.

Roof's inclination angle (°) and snow ratio (the ratio of the slope to the horizontal width of the roof pane)	Maximum length of slope above the snow guards					
The characteristic value of the snow load on the roof: 1,8 kN /m ²						
Space between the snow guard fasteners	0,5 m	0,6 m	0,75 m	0,9 m	1,0 m	1,2 m
Roof's inclination angle and snow ratio						
< 15°, (1:3,7)	21,4	17,9	14,3	12,0	10,7	9,0
15... 22°, 1:3,7... 1:2,5	11,4	9,5	7,6	6,3	5,7	4,8
22... 27°, 1:2,5... 1:2	8,4	7,0	5,6	4,7	4,2	3,5
27... 37°, 1:2... 1:1,3	7,4	6,2	4,9	4,1	3,7	3,1
37... 45°, 1:1,3... 1:1	9,0	7,5	5,9	5,0	4,5	3,7
The characteristic value of the snow load on the roof: 2,0 kN /m ²						
Space between the snow guard fasteners	0,5 m	0,6 m	0,75 m	0,9 m	1,0 m	1,2 m
Roof's inclination angle and snow ratio						
< 15°, (1:3,7)	19,1	16,1	12,9	10,8	9,6	8,1
15... 22°, 1:3,7... 1:2,5	10,2	8,6	6,9	5,7	5,1	4,3
22... 27°, 1:2,5... 1:2	7,6	6,3	5,1	4,2	3,8	3,2
27... 37°, 1:2... 1:1,3	6,7	5,6	4,4	3,7	3,3	2,8
37... 45°, 1:1,3... 1:1	8,2	6,8	5,3	4,5	4,1	3,3
The characteristic value of the snow load on the roof: 2,6 kN /m ²						
Space between the snow guard fasteners	0,5 m	0,6 m	0,75 m	0,9 m	1,0 m	1,2 m
Roof's inclination angle and snow ratio						
< 15°, (1:3,7)	15,0	12,5	9,9	8,3	7,5	6,2
15... 22°, 1:3,7... 1:2,5	8,0	6,6	5,3	4,4	4,0	3,3
22... 27°, 1:2,5... 1:2	5,8	4,8	3,9	3,3	2,9	2,4
27... 37°, 1:2... 1:1,3	5,2	4,3	3,4	2,8	2,6	2,1
37... 45°, 1:1,3... 1:1	6,2	5,2	4,1	3,5	3,1	2,6

PICTURED IS AN EXAMPLE OF SNOW GUARDS BEING USED ACCORDING TO THE TABLE.

Maximum length of the slope above the snow guards: 4,7 m

Roof angle 25°
Snow load 1,8 kN/m²

Space between the snow guard fasteners: 900 mm



Maximum length of the slope above the snow guards: 3,3 m

Roof angle 25°
Snow load 2,6 kN/m²

Space between the snow guard fasteners: 900 mm



Pisko Snow Guards are capable of bearing a load of at least 5 kN/m, in the direction of the inclined roof. By following the values in the table these requirements are fulfilled.

MAINTENANCE

Pisko products are hard-wearing and safe to use, guaranteed by the ongoing quality control and development work by Piristeel Ltd, as well as correct installation of the products according to the manufacturer's instructions. To ensure the reliability and safety of the products, the property owner must carry out yearly inspection and maintenance procedures, and make sure that excessive snow load does not accumulate on the roof.

- Check the tightness of joints, connections and attachments.
- Ensure any excessive snow load is cleared to minimize the strain on structures and attachment points of snow guard (as necessary; there might be a need several times during the winter). Product durability in accordance with the certification certificate.
- Check the paintwork and zinc coating of the products; repair faults and touch up paintwork if necessary.
- replace or repair any damaged or faulty parts as soon as possible.