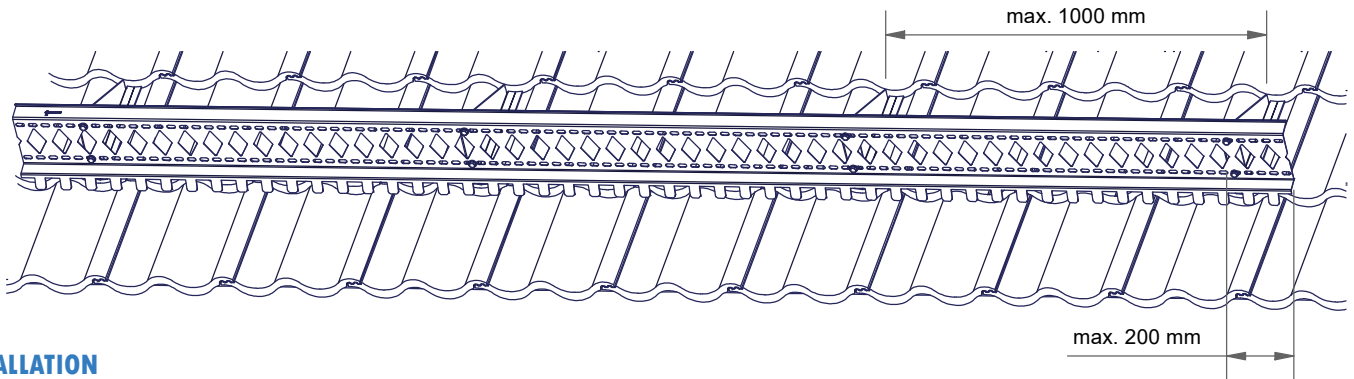


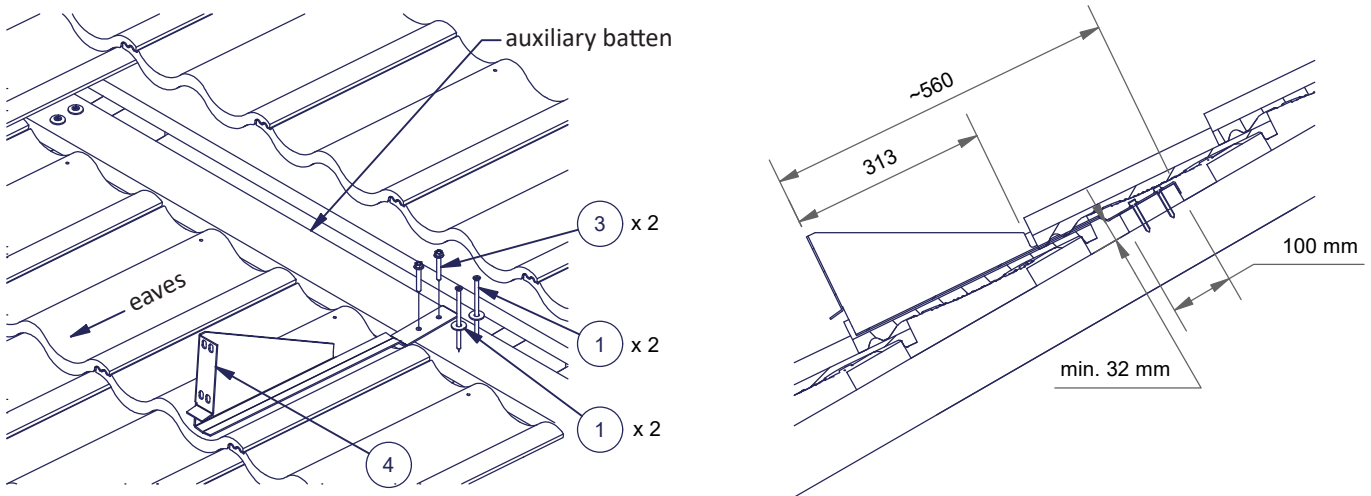
## Pisko SnowDefence 200 Heavy snow fence for tile roof



### INSTALLATION

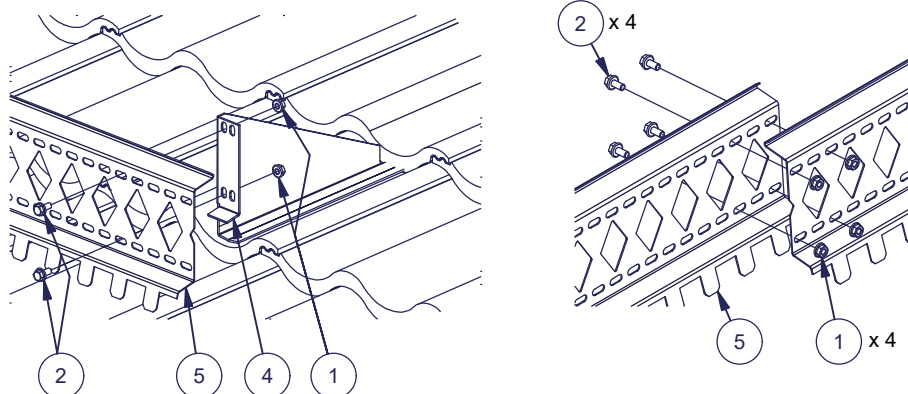
Snow guards are placed as close to the eaves as possible. Distance between snow fence brackets is maximum 1000 mm. Max. protrusion of the fence from the outermost bracket is 200 mm. Pisko SnowDefence 200 Heavy, tile roof, aux batten brackets (4) are attached to the roof structure with auxiliary batten. A full-edged, 100 mm wide auxiliary batten is installed between the battens, the same height as the batten (min height 32 mm).

- Auxiliary batten is fixed on each roof truss with two 6x120 mm screws (6) and DIN 440 M8 washers (7).
- Auxiliary batten must be attached to at least three roof trusses.
- The distance between the auxiliary batten and the bottom end of the bracket is approx. 560 mm.
- The edge of the bracket should be level with the bottom edge of the tile so that the load transmitted by the edge is directed to the most durable part of the tile. Follow the tile manufacturer's instructions.
- Snow fence bracket (4) is fixed to the auxiliary batten with two 7 x 50 mm HVAC screws (3). To avoid splitting the batten, it is recommended to drill a pilot hole.



Attach the snow fence (5) to the brackets (4) using two M8x16 flange screws (2) and M8 flange nuts. Adjust the height of the snow fence so that the fringes at the bottom of the fence do not touch the surface of the tiles.

The snow fence extensions are made by overlapping the profiles by at least 80 mm and securing them with four M8x16 flange screws (2) and M8 flange nuts (1).



Part	Description
1	M8 Flange nut (734)
2	M8x16 Flange screw DIN 6921 (731)
3	7x50 mm HVAC-screw (suitable for outdoor use)
4	Pisko SnowDefence 200 Heavy, tile roof, aux batten (764)
5	Snow Defence Heavy 200 snow fence (760)
6	Screw 6x120 mm (596) (suitable for outdoor use)
7	Washer DIN 440 M8 *

\*) Corrosion resistance must be equivalent to hot-dip galvanized fasteners

## MAXIMUM LENGTH OF ROOF SLOPE (RT Reference Card 85-11132)

Indicative figures for the maximum distance (m) of the roof slope above the snow guard on a smooth surface. The maximum distance on coarse roofs, such as bitumen roofs can be increased by 1.3 – 1.5 times the stated amount. The snow load values shown are the actual snow loads on a roof.

Roof's inclination angle (°) and snow ratio (the ratio of the slope to the horizontal width of the roof pane)	Maximum length of slope above the snow guards					
The characteristic value of the snow load on the roof: 1,8 kN /m <sup>2</sup>						
Space between the snow guard fasteners	0,5 m	0,6 m	0,75 m	0,9 m	1,0 m	1,2 m
Roof's inclination angle and snow ratio						
< 15°, (1:3,7)	21,4	17,9	14,3	12,0	10,7	9,0
15... 22°, 1:3,7... 1:2,5	11,4	9,5	7,6	6,3	5,7	4,8
22... 27°, 1:2,5... 1:2	8,4	7,0	5,6	4,7	4,2	3,5
27... 37°, 1:2... 1:1,3	7,4	6,2	4,9	4,1	3,7	3,1
37... 45°, 1:1,3... 1:1	9,0	7,5	5,9	5,0	4,5	3,7
The characteristic value of the snow load on the roof: 2,0 kN /m <sup>2</sup>						
Space between the snow guard fasteners	0,5 m	0,6 m	0,75 m	0,9 m	1,0 m	1,2 m
Roof's inclination angle and snow ratio						
< 15°, (1:3,7)	19,1	16,1	12,9	10,8	9,6	8,1
15... 22°, 1:3,7... 1:2,5	10,2	8,6	6,9	5,7	5,1	4,3
22... 27°, 1:2,5... 1:2	7,6	6,3	5,1	4,2	3,8	3,2
27... 37°, 1:2... 1:1,3	6,7	5,6	4,4	3,7	3,3	2,8
37... 45°, 1:1,3... 1:1	8,2	6,8	5,3	4,5	4,1	3,3
The characteristic value of the snow load on the roof: 2,6 kN /m <sup>2</sup>						
Space between the snow guard fasteners	0,5 m	0,6 m	0,75 m	0,9 m	1,0 m	1,2 m
Roof's inclination angle and snow ratio						
< 15°, (1:3,7)	15,0	12,5	9,9	8,3	7,5	6,2
15... 22°, 1:3,7... 1:2,5	8,0	6,6	5,3	4,4	4,0	3,3
22... 27°, 1:2,5... 1:2	5,8	4,8	3,9	3,3	2,9	2,4
27... 37°, 1:2... 1:1,3	5,2	4,3	3,4	2,8	2,6	2,1
37... 45°, 1:1,3... 1:1	6,2	5,2	4,1	3,5	3,1	2,6

PICTURED IS AN EXAMPLE OF SNOW GUARDS BEING USED ACCORDING TO THE TABLE.

Maximum length of the slope above the snow guards: 4,7 m

Roof angle 25°  
Snow load 1,8 kN/m<sup>2</sup>

Space between the snow guard fasteners: 900 mm



Maximum length of the slope above the snow guards: 3,3 m

Roof angle 25°  
Snow load 2,6 kN/m<sup>2</sup>

Space between the snow guard fasteners: 900 mm



Pisko Snow Guards are capable of bearing a load of at least 5 kN/m, in the direction of the inclined roof. By following the values in the table these requirements are fulfilled.

## MAINTENANCE

Pisko products are hard-wearing and safe to use, guaranteed by the ongoing quality control and development work by Piristeel Ltd, as well as correct installation of the products according to the manufacturer's instructions. To ensure the reliability and safety of the products, the property owner must carry out yearly inspection and maintenance procedures, and make sure that excessive snow load does not accumulate on the roof.

### Yearly maintenance inspection checklist for Pisko snow guards:

- Check the tightness of joints, connections and attachments.
- Check fixings to the roof
- Take care to regularly clean the accumulated debris and dirt in the snow guard (such as leaves)
- Ensure any excessive snow load is cleared to minimize the strain on structures and attachment points of snow guard (as necessary; there might be a need several times during the winter). Product durability in accordance with the certification certificate.
- Check the paintwork and zinc coating of the products; repair faults and touch up paintwork if necessary
- Replace or repair any damaged or faulty parts as soon as possible.