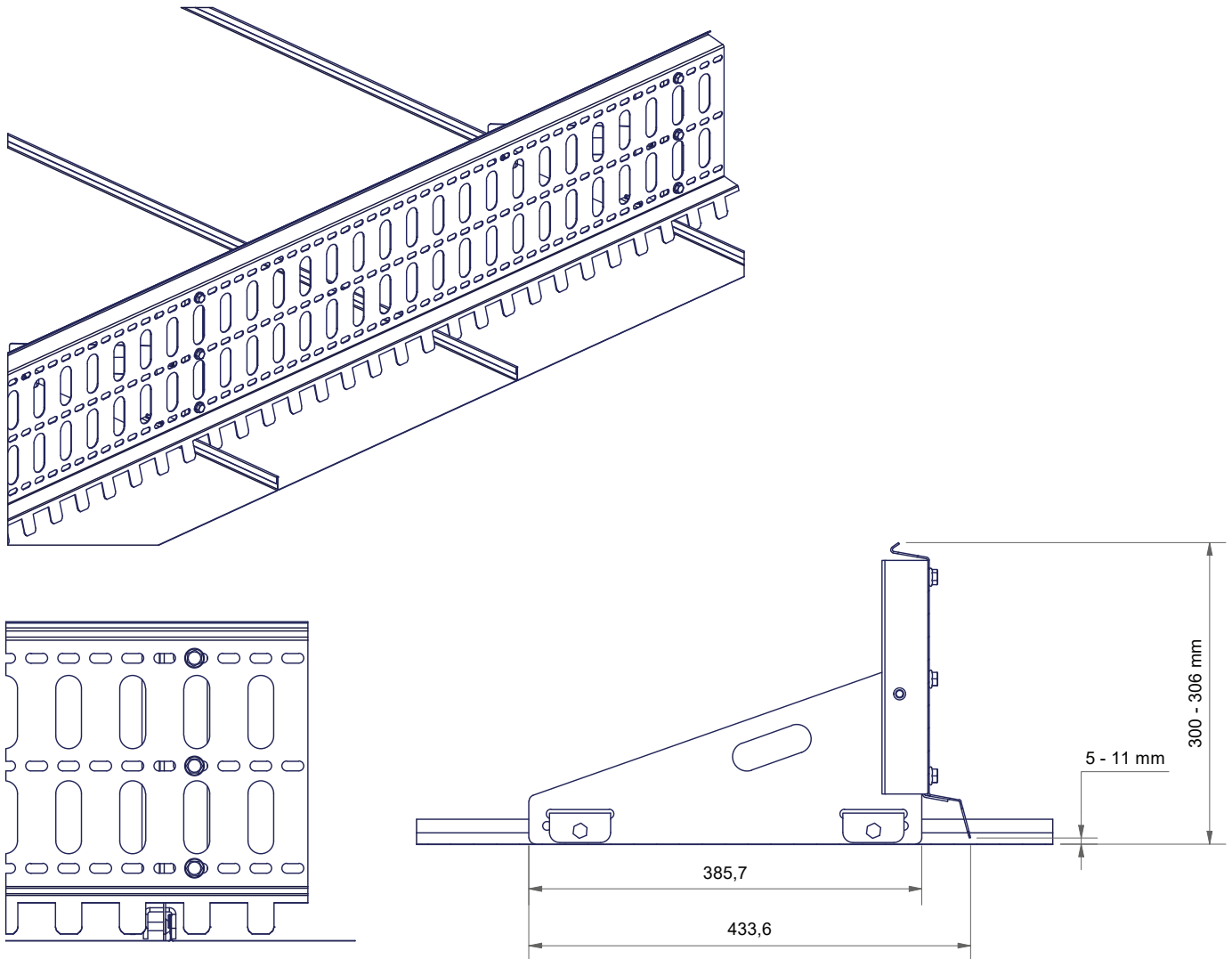


## Pisko SnowDefence 300 Solar snow fence for standing seam roof

Pisko SnowDefence 300 solar snow fence is a high-performance snow fence designed specifically for standing seam roofs equipped with solar panels. It is intended for use on buildings where the solar panels installed on the roof are positioned in such a way that there is not enough free space below panels for a conventional height snow guard to function effectively.

The installation and product selection of snow guards required under solar panels must comply with the recommendations of guideline RT 103756. If snow guards need to be installed very close to the bottom edge of the solar panels, a denser fastener spacing than usual is used in the installation. Snow guards are installed below the solar panels, as close to the eaves line as possible.



Product:	Pisko SnowDefence 300 Solar snow fence
Material:	Fastener 2,0 mm structural steel; Snow fence profile 1,5 mm structural steel; Adapter bracket 3,0 mm structural steel
Dimensions:	Height 300 mm, Depth 434 mm, Snow fence profile length 2940 mm
Weight:	Fastener 0,73 kg/pcs; Adapter fastener 0,53 kg/pcs; Snow fence profile 3,11 kg/m
Coating:	Z275 + powder coating 80 µm
Conformity:	Meets the requirements of the snow guard verification certification
Applications:	Standing seam roofs (Anti-slide tabs of the fence optimized for standing seam roofs, seam spacing 535-540 cm), Bitumen roofs
Installation method:	Standing seam roofs: Press into the seam using SG Tightening clamps Bitumen roofs: Attached to the mounting plate for waterproofing membrane roof using the UniSeam center fastener's additional bracket.