

Installing Pisko UniSeam fasteners on copper- and titanium zinc roofs

For titanium zinc roofing (e.g. Rheinzink) UniSeam fasteners are installed according to the UniSeam installation instructions for the product in use. The material thickness of the titanium zinc material must be at least 0,7 mm.

For copper roofing, 0,5 mm stainless steel plates are added under the UniSeam tightening clamps according to the instructions below. The material thickness of the copper coating must be at least 0,6 mm.

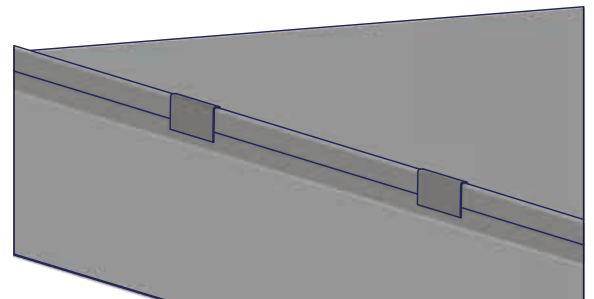
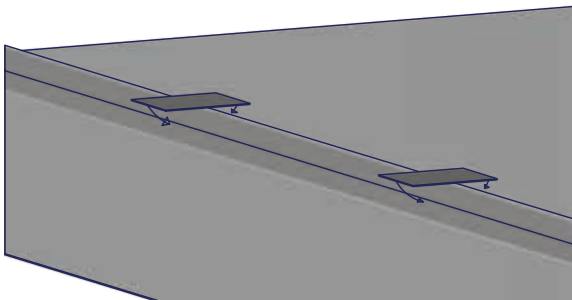
When installing snow guards, standard snow guard dimensioning guidelines can be applied to this installation method.

INSTALLATION - COPPER ROOF

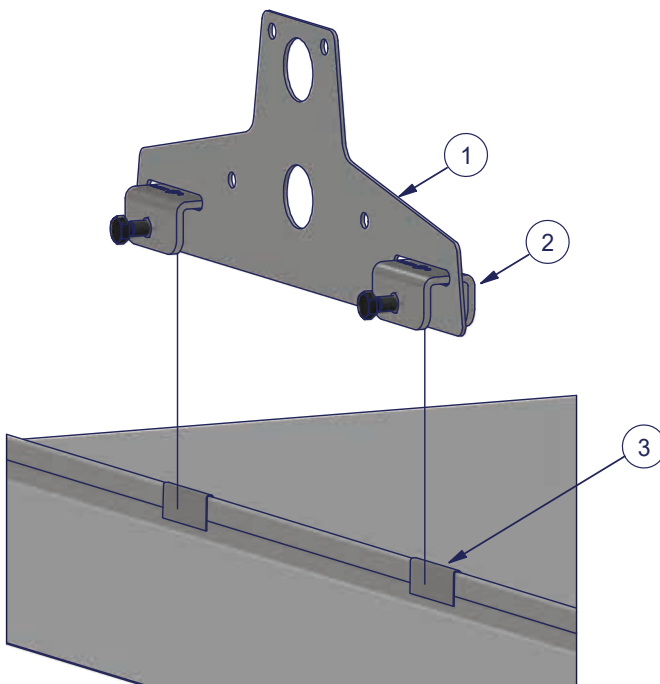
Fold the stainless steel strips over the seam, where the UniSeam tightening clamps will be installed.

The stainless steel strips should be sized to fully protect the joint between the UniSeam tightening clamp and the parts of the fastener that compress the joint. However, the stainless steel strips must not touch the bottom of the roofing.

For a typical 25 mm high seam, the appropriate strip size is 50 mm x 40 mm, installed with the longer side facing the roof surface.



Install the UniSeam Fastener with tightening clamps on the seam according to the UniSeam installation instructions for the product in use, leaving the strips under the clamps where the bolt is. The tightening torque of the clamp bolt with the strip is 18 Nm.



Suitable stainless steel strip	
Atmospheric-corrosivity category as defined in ISO 12944-2	Type of strip
C1-C3	AISI 304
C4	AISI 316

Part	Description**
1	SG Fastener, Pisko UniSeam*
2	SG Tightening Clamp, Pisko UniSeam*
3	Stainless steel plate 0,5x40x50 mm, AISI 304, 81400

*) Products to be installed must be paint coated

***) Example of the assembly to be installed