

Pisko® MultiFast Optim parts list



Pisko® MultiFast fixing solutions for the roof ladde

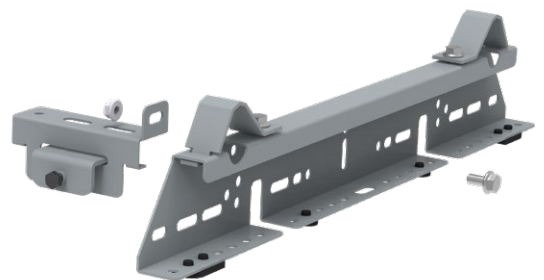
The roof ladder must be fixed to the structures of the roof at least at the top and bottom end of the ladder in accordance with the installation instructions with MultiFast fasteners and fixing accessories specific to the roof type (max. distance between MultiFast fasteners attached to the structures of the roof is 5000 mm). In addition, the roof ladder must be supported against the surface of the roof with MultiFast fasteners, the max. distance between fasteners is 1400 mm. See installation instructions.



Part list

MultiFast Optim for standing seam roofs

PRICE LIST NO.	PRODUCT NAME	PCS
710	Pisko MultiFast Optim fastener	1
743	Multi-purpose standing seam bracket	1
671	SG Tightening Clamp, Pisko UniSeam	1
582	Pisko 2+1 seal / EPDM sealant strip (580)	2
731	M8x16 flange bolt DIN 6921, ZnNi	3
734	M8 flange nut DIN 6923, ZnNi	1
713	Pisko MultiFast Optim stile bracket	2

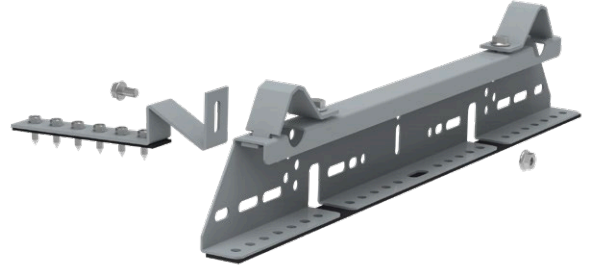


Pisko® MultiFast Optim fixing solutions for the roof ladder

Part list

MultiFast Optim for steel roofs

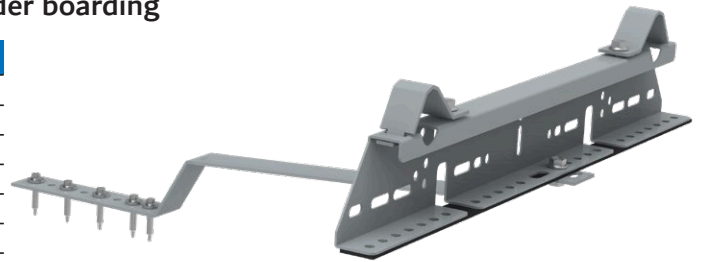
PRICE LIST NO.	PRODUCT NAME	PCS
710	Pisko MultiFast Optim fastener	1
711	Steel roof fixing rod for Pisko MultiFast Optim	1
669	Pisko sheet metal screw 6.3x19, A2 stainless steel	6
580	EPDM sealant strip	1
731	M8x16 flange bolt DIN 6921, ZnNi	3
734	M8 flange nut DIN 6923, ZnNi	1
713	Pisko MultiFast Optim stile bracket	2



Part list

MultiFast Optim kiinnike for tile roofs, Fixing to full under boarding

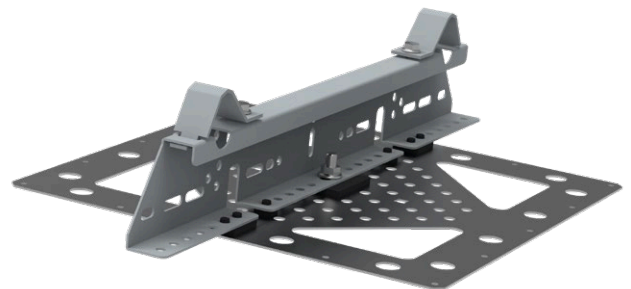
PRICE LIST NO.	PRODUCT NAME	PCS
710	Pisko MultiFast Optim fastener	1
712	Tile roof fixing rod for Multifast Optim	1
580	EPDM sealant strip	1
735	Pisko fixing screw 6,5x38 mm	5
731	M8x16 flange bolt DIN 6921, ZnNi	3
734	M8 flange nut DIN 6923, ZnNi	1
713	Pisko MultiFast Optim stile bracket	2



Part list

MultiFast Optim for waterproofing membrane roofs

PRICE LIST NO.	PRODUCT NAME	PCS
710	Pisko MultiFast Optim fastener	1
576	Mounting plate for waterproofing membrane roof	1
662	Mounting Plate Bolt 10x30mm, A2	1
663	M10 flange nut DIN 6923, A2	1
675	Anchor point sealant, EPDM	1
582	Pisko 2+1 seal / EPDM sealant strip (580)	2
731	M8x16 flange bolt DIN 6921, ZnNi	2
713	Pisko MultiFast Optim stile bracket	2



Pisko® MultiFast Optim fixing solutions for roof walkway as access way parallel to the slope

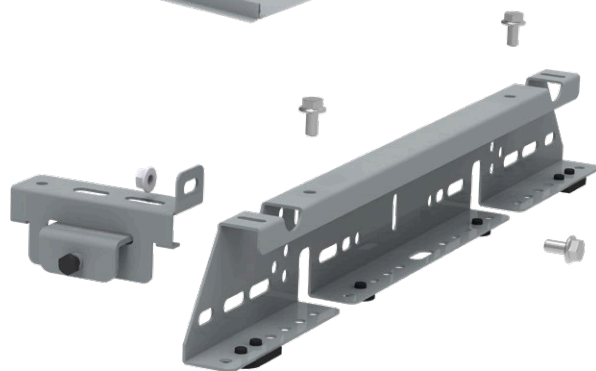
The roof walkway must be fixed to the structures of the roof at least at the top and bottom end of the walkway in accordance with the installation instructions with MultiFast fasteners and fixing accessories specific to the roof type (max. distance between MultiFast fasteners attached to the structures of the roof is 5000 mm). In addition, the roof walkway must be supported against the surface of the roof with MultiFast fasteners, the max. distance between fasteners is 1400 mm. See installation instructions. Recommended maximum roof pitch 12°.



Part list

MultiFast Optim for standing seam roofs

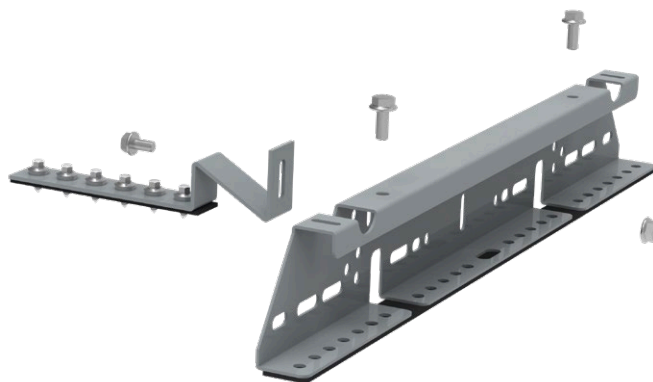
PRICE LIST NO.	PRODUCT NAME	PCS
710	Pisko MultiFast Optim fastener	1
743	Multi-purpose standing seam bracket	1
671	SG Tightening Clamp, Pisko UniSeam	1
582	Pisko 2+1 seal / EPDM sealant strip (580)	2
731	M8x16 flange bolt DIN 6921, ZnNi	3
734	M8 flange nut DIN 6923, ZnNi	1



Part list

MultiFast Optim for steel roofs

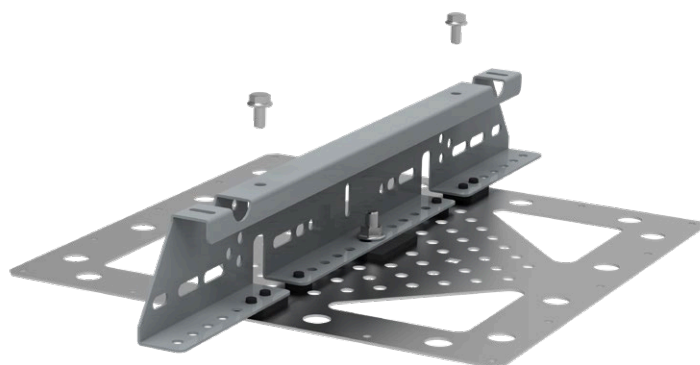
PRICE LIST NO.	PRODUCT NAME	PCS
710	Pisko MultiFast Optim fastener	1
711	Steel roof fixing rod for Pisko MultiFast Optim	1
669	Pisko sheet metal screw 6.3x19, A2 stainless steel	6
580	EPDM sealant strip	1
731	M8x16 flange bolt DIN 6921, ZnNi	3
734	M8 flange nut DIN 6923, ZnNi	1



Part list

MultiFast Optim for waterproofing membrane roofs

PRICE LIST NO.	PRODUCT NAME	PCS
710	Pisko MultiFast Optim fastener	1
576	Mounting plate for waterproofing membrane roof	1
662	Mounting Plate Bolt 10x30mm, A2	1
663	M10 flange nut DIN 6923, A2	1
675	Anchor point sealant, EPDM	1
582	Pisko 2+1 seal / EPDM sealant strip (580)	2
731	M8x16 flange bolt DIN 6921, ZnNi	2



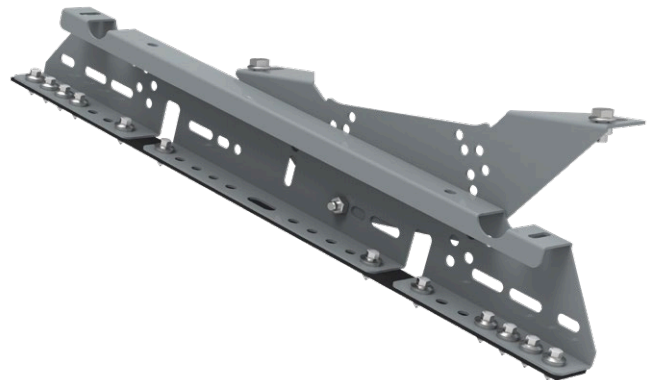
Pisko® MultiFast Optim roof walkway fixing solutions for low slope roofs

Always use at least three fasteners when installing a roof bridge. The distance between MultiFast brackets is max. 1100 mm. See installation instructions. Recommended maximum roof pitch 14°.



Part list MultiFast Optim for steel roofs

PRICE LIST NO.	PRODUCT NAME	PCS
710	Pisko MultiFast Optim fastener	1
515	Inclination adjustment plate	1
669	Pisko sheet metal screw 6.3x19, A2 stainless steel	12
580	EPDM sealant strip	1
590	Hexagon bolt 8 x 16 mm, DIN 933, HDG	2
592	M8 hexagon nut DIN 934, HDG	2
731	M8x16 flange bolt DIN 6921, ZnNi	2
734	M8 flange nut DIN 6923, ZnNi	2



Part list MultiFast Optim for waterproofing membrane roofs

PRICE LIST NO.	PRODUCT NAME	PCS
710	Pisko MultiFast Optim fastener	1
515	Inclination adjustment plate	1
576	Mounting plate for waterproofing membrane roof	1
662	Mounting Plate Bolt 10x30mm, A2	1
663	M10 Flange nut DIN 6923, A2	1
675	Anchor point sealant, EPDM	1
582	Pisko 2+1 seal / EPDM sealant strip (580)	2
590	Hexagon bolt 8 x 16 mm, DIN 933, HDG	2
592	M8 hexagon nut DIN 934, HDG	2
731	M8x16 flange bolt DIN 6921, ZnNi	2
734	M8 flange nut DIN 6923, ZnNi	2

