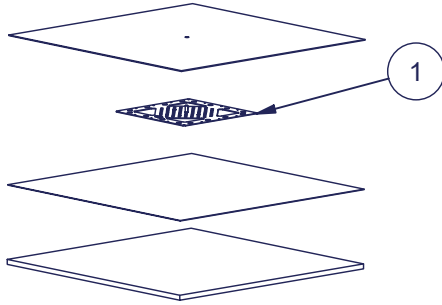


## Roof walkaway for waterproofing membrane roof With bracket for sheet metal roofs 150 Compact

### INSTALLATION

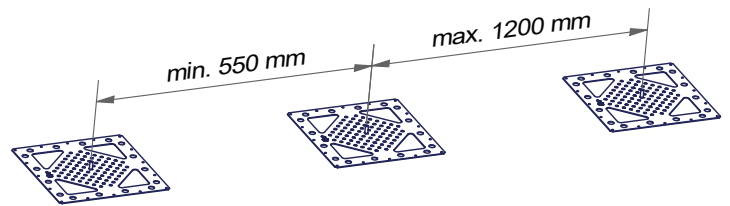
Install the mounting plates (1) on waterproofing membrane roof according to the assembly instruction of the mounting plate on waterproofing membrane roof.



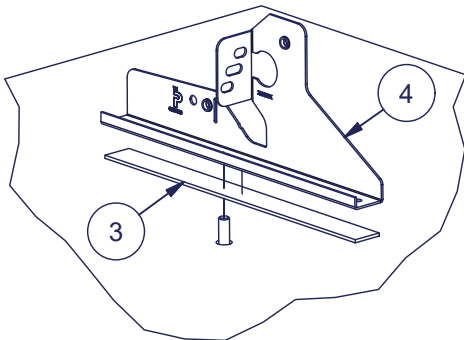
At least 3 mounting plates / brackets per continuous length.

Distance between the mounting plates:

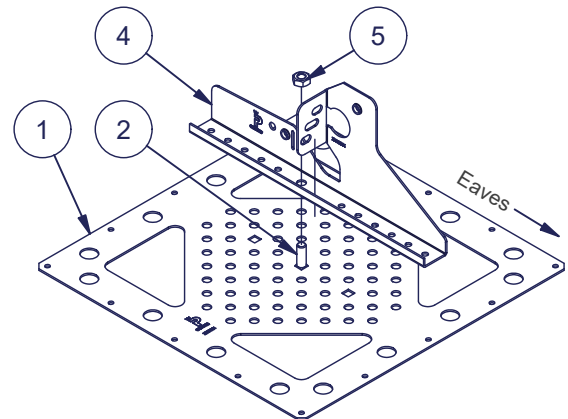
- Min. 550 mm
- Max. 1200 mm



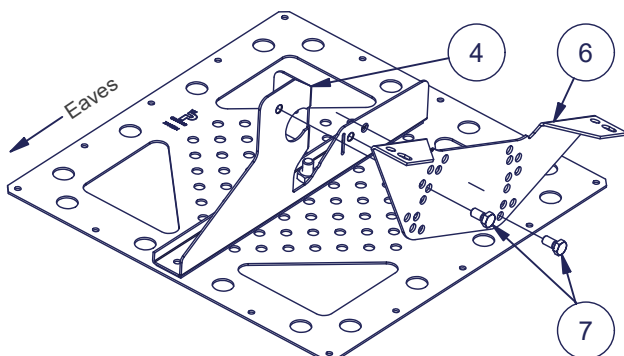
It is recommended to install e.g. an EPDM-sealant strip (3) or similar between the bracket and waterproofing member.



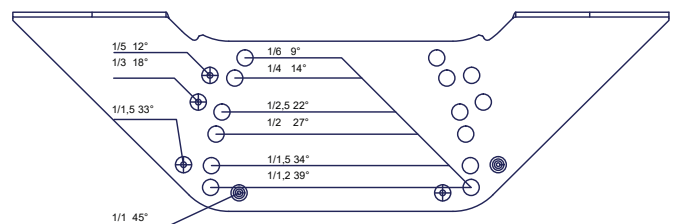
Install Bracket (4) to mounting plate bolt (2) with stainless steel M10 flange nut (5).



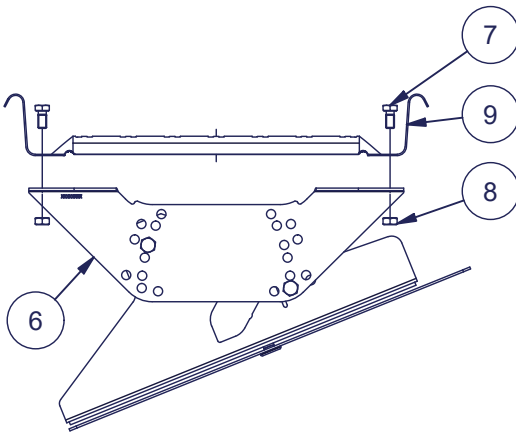
Attach the Adjustment plate for walkways (6) to the bracket (4) with two M8x16 bolts (7) and adjust correct angle.



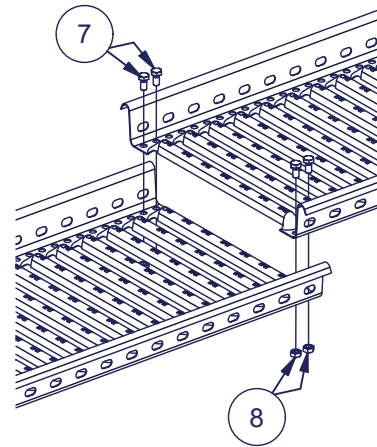
The most common roof pitches and corresponding holes.



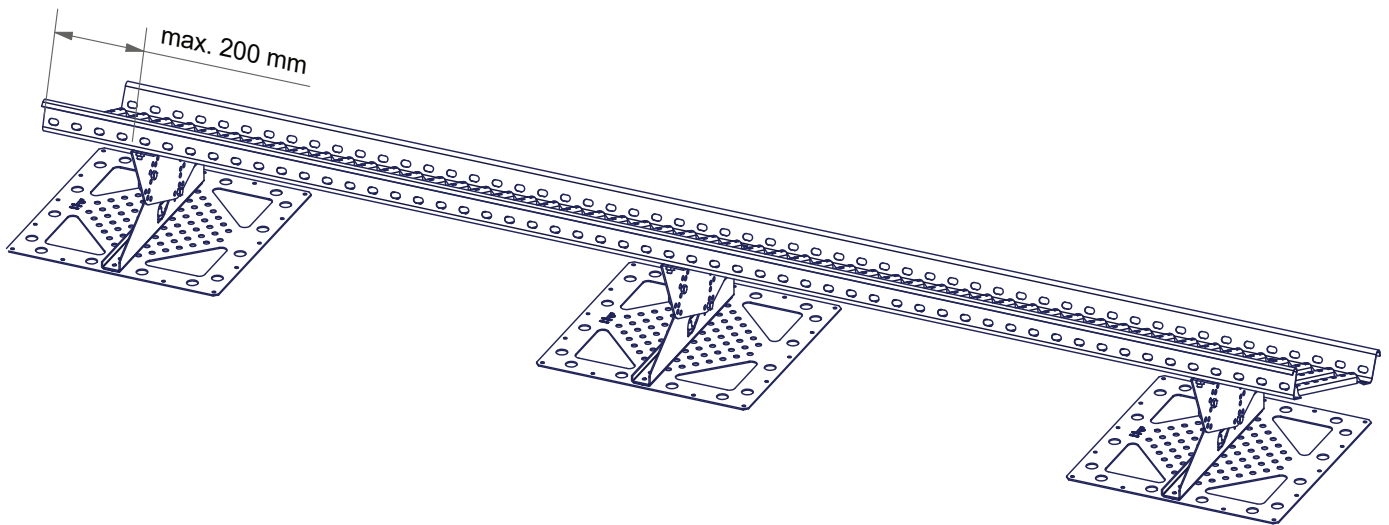
Attach walkway (9) to each adjustment plate (6) with two M8x16 bolts (7) and two M8 nuts (8).



The extension of the walkway shall be done by overlapping and securing the connection from both sides with two M8x16 bolts (7) and M8 nuts (8).



Maximum protrusion of the walkway from the outermost bracket is 200 mm.



Part	Description
1	Mounting plate waterproofing membrane roof
2	Mounting plate bolt M10x30mm, stainless steel
3	Adhesive sealant
4	Bracket for sheet metal roofs 150 Compact
5	Nut M10, stainless steel
6	Adjustment plate for walkway
7	Bolt M8x16 DIN 933 HDG
8	Nut M8 DIN 934 HDG
9	Roof Walkway

## USE

A roof walkway must be used when the roof inclination is more than 1:8. If the height of the building is more than 9 meters, safety rope fixing structures must be provided (Finnish Ministry of the Environment, Decree on the safe use of buildings on January 1, 2018). The EN 516 standard gives two performance classes for roof walkways: class 1 and class 2. Class 1 means that the product is suitable for use as access way and class 2 means that the product can also be used as a safety rope anchoring point. Personal fall arresters may only be attached to class 2 roof walkways. Pisko roof walkway has been dimensioned against 1,5 kN (~150 kg) concentrated load (load from the user).

The Pisko roof walkway is manufactured in compliance with EN 516 and the roof walkway system has passed the static and dynamic tests specified in the relevant standard for class 2. An appropriate safety rope can be fixed to a roof walkway, which is installed in accordance with class 2. The safety rope must be intended to be used as a personal safety rope and it must conform to relevant standards such as e.g. EN 353-2 and should be equipped with a shock absorber (EN 355). A Pisko SafeLine wire system's glider, a horizontal carriage that moves along the Pisko safety rail or, alternatively, a rope fastener is used as a safety rope attachment point with Pisko roof walkways (see the separate installation instructions for these products). Moreover, the following must be taken into consideration when using a safety rope:

- Only safety ropes (e.g. EN 353-2) or retractable lanyards (EN 360) that are meant to be used as a personal fall protection equipment should be used
- Only one person at a time, with a total weight of max. 150 kg, including the equipment, is allowed to fix a safety rope to a safety rope anchoring point.
- The distance between attachment points must be at least four (4) meters if more than one user is attached to the same roof walkway or horizontal safety rail.
- More than one person can be attached simultaneously to the Pisko SafeLine that is installed on a roof walkway, provided that there is at least two wire holder brackets in between the users. More information on Pisko SafeLine installation instructions.
- The safety rope may only be used towards the eave on the pitched roof area where the roof walkway is installed.

## MAINTENANCE

Pisko products are hard-wearing and safe to use, guaranteed by the ongoing quality control and development work by Piristee Ltd, as well as correct installation of the products according to the manufacturer's instructions. To ensure the reliability and safety of the products, the property owner must carry out yearly inspection and maintenance procedures, and monitor that the snow load specified by the regulations is not exceeded. NOTE! Roof walkway installed as access way is not intended to be used as snow guards. Heavy snow loads can permanently damage the walkway and its fastening system. If necessary, the roof walkway should be protected from snow loads with snow guards and snow loads should be removed from the roof walkway in good time.

**To ensure the durability of the performance of the products, the property owner should have the class 2 roof safety products inspected annually by a person authorised by the manufacturer.**

Yearly maintenance inspection checklist for Pisko roof walkways:

- Check the tightness of joints, connections and attachments.
- Check the roof attachments (fixings).
- Ensure any excessive snow load is cleared to minimize the strain on structures and attachment points (as necessary; there might be a need several times during the winter).
- As necessary, clear the roof walkways of snow and ice.
- Check the paintwork and zinc coating of the products; repair faults and touch up paintwork if necessary
- Replace or repair any damaged or faulty parts as soon as possible.

<b>Piristee Oy</b> <b>Metallitie 4, 62200 Kauhava</b> <b>Finland</b> <b>19</b>
<b>EN 516</b> Pisko roof walkway for waterproofing membrane roofs with bracket for sheet metal roofs 150 Compact 1354 Type B <b>Mechanical strength:</b> Class 1 and Class 2 <b>Reaction to fire:</b> Class A1 <b>Durability:</b> Z275 + powder coating 80 µm <b>External fire performance:</b> DTS

**This product has been installed in accordance with the installation instructions by**

Company

Installer

Date