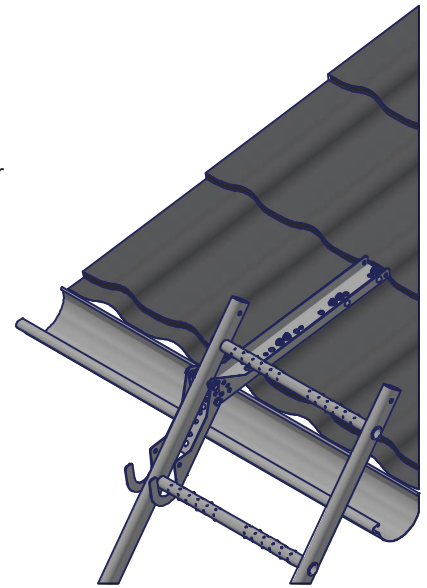
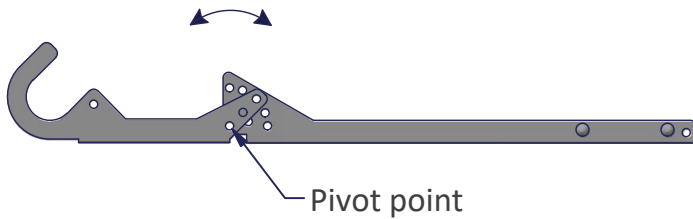


## SLIP GUARD FOR LOOSE LADDER

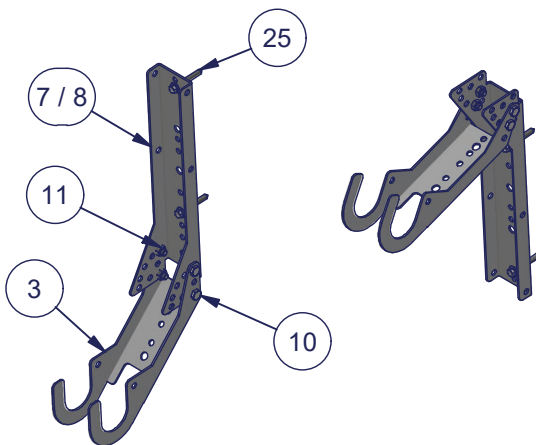
Assemble slip guard so that the ladder to be placed at it always leans against gutter, roof edge or wall on both sides. Set ladder stile between slip guards hooks and rung to the bottom of the slip guard. Do not hang the ladder from the slip guard, always place ladder on hard surface.



Assemble slip guard hook to proper angle. See pivot point in picture below which always requires bolt.

Installation destination	Suitable products
Wall	Slip guard bracket 350 / slip guard bracket 500 + Slip guard for loose ladder
Steel sheet roof	Slip guard bracket 350 / slip guard bracket 500 + Slip guard for loose ladder
Waterproofing membrane	Slip guard bracket 500 + Slip guard for loose ladder
Seamed roof	Slip guard bracket 500 + Slip guard for loose ladder
Roof ladder	Slip guard for loose ladder, access ways
Roof Walkway	Slip guard for loose ladder, access ways

## INSTALLATION Wall mount

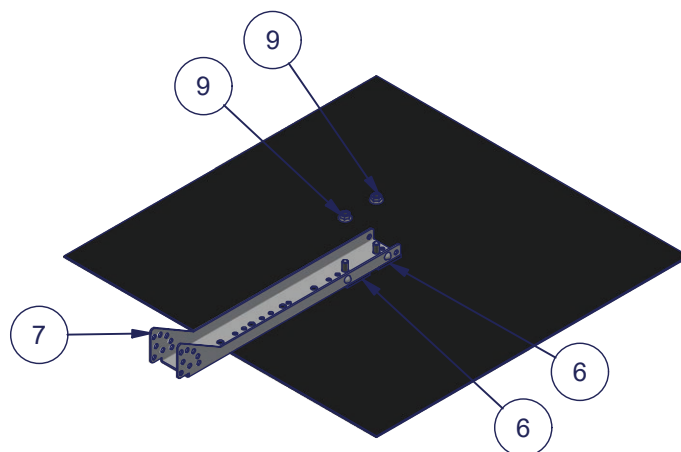
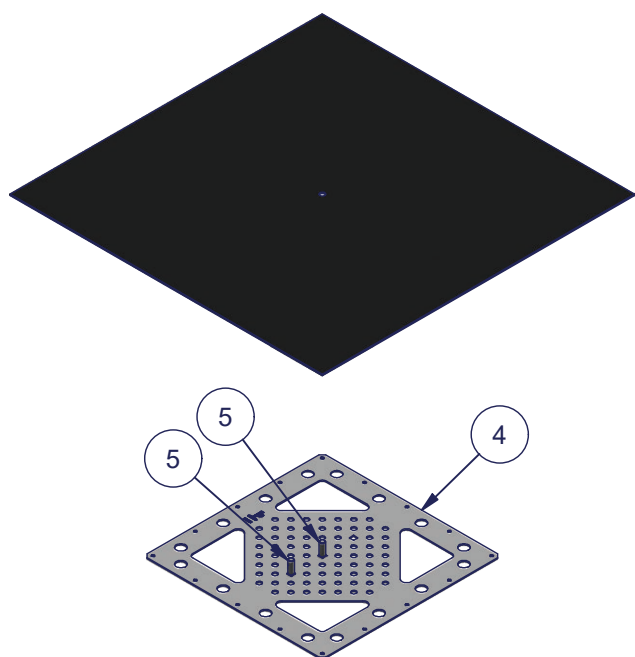


Assemble bracket for slip guard with two 7x40 HVAC screws to the wall to suitable height. After this fix slip guard to the bracket with four M8x16 hexagon bolts and nuts.

Part	Description
1	SG tightening clamp, Pisko UniSeam
2	Pisko 2+1 seal
3	Slip guard for loose ladder
4	Mounting plate for waterproofing membrane roof
5	Mounting plate bolt 10x30mm, A2
6	Anchor point sealant EPDM
7	Bracket for loose ladder slip guard, 500
8	Bracket for loose ladder slip guard, 350
9	M10 flange Nut, A2
10	Hexagon bolt M8x16, hot-dip galvanized
11	Hexagon nut M8, hot-dip galvanized
12	Pisko sheet metal screw 6,3 x 19 mm
13	Slip guard for loose ladder, access ways
14	Hexagon bolt M8x40, hot-dip galvanized
15	Hexagon bolt M8x30, hot-dip galvanized
16	HVAC screw 7x40

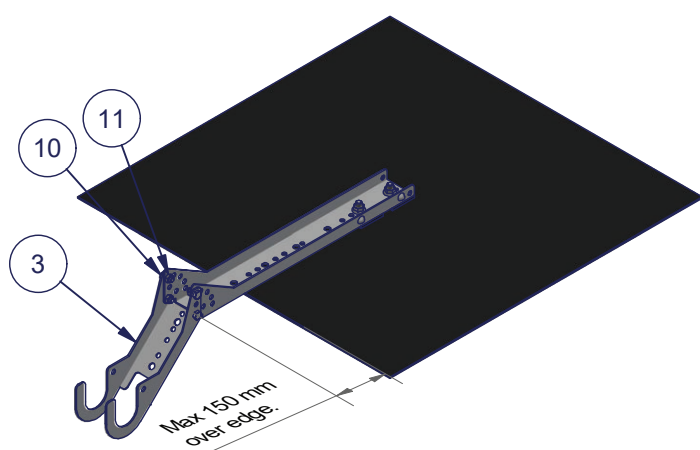
## INSTALLATION

### Waterproofing membrane



Installation of the mounting plate for waterproofing membrane roof should be done according to the instruction for installation, mounting plate for waterproofing membrane roof. Place two M10 mounting bolts to mounting plate. Bracket for loose ladder slip guard may exceed the edge of the roof by 150 mm max.

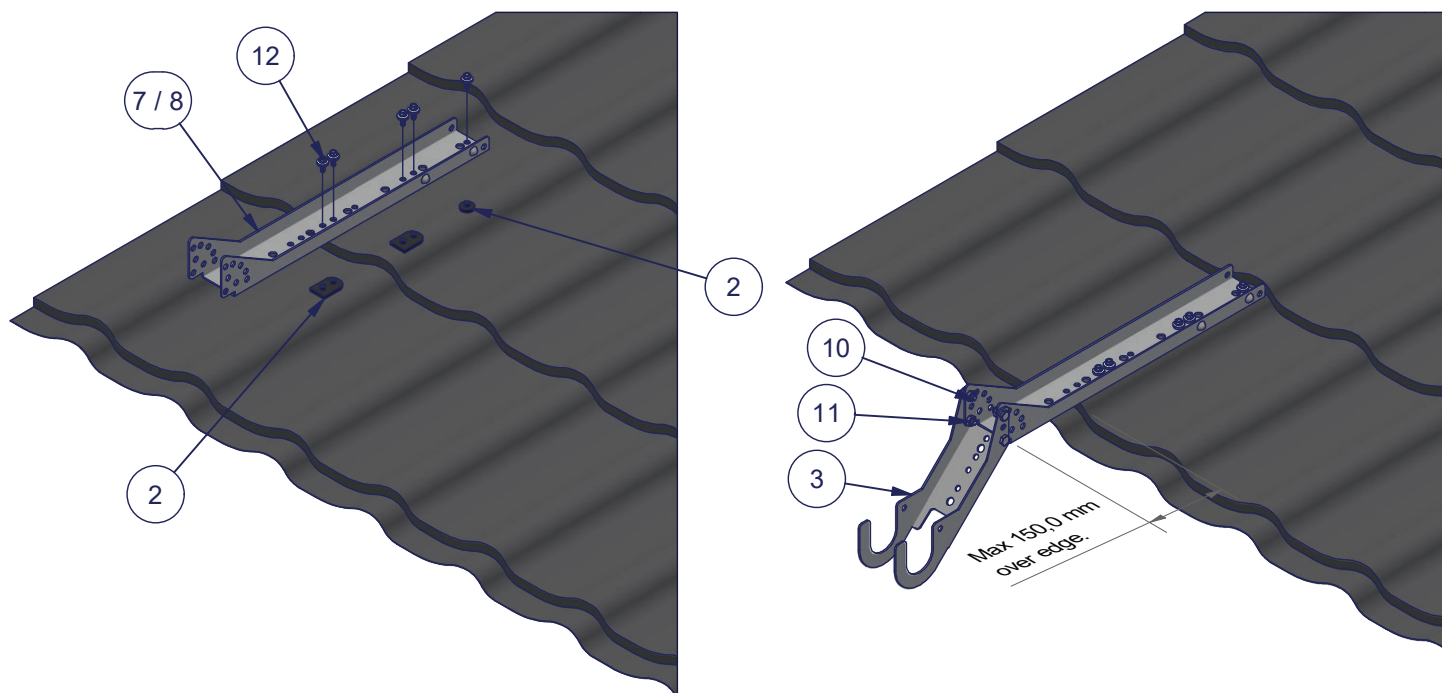
Assemble two anchor point seals to the bolts. Place bracket for loose ladder slip guard through the bolts and tighten two M10 nuts.



Fix the slip guard to the bracket with four M8x16 hexagon bolts and nuts.

## INSTALLATION

### Sheet metal roofing

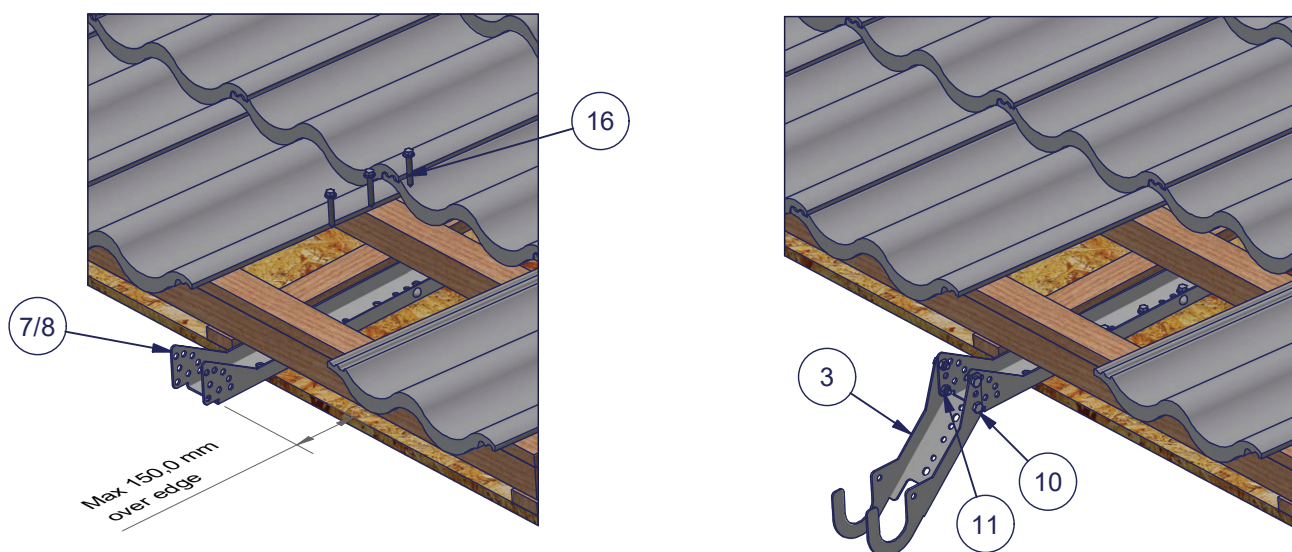


Assemble bracket for loose ladder slip guard on sheet with five Pisko sheet metal screws, use Pisko 2+1 seals under every screw. Bracket may exceed the edge of the roof by 150 mm max.

Fix the slip guard to the bracket with four M8x16 hexagon bolts and nuts.

## INSTALLATION

### Base board / battens

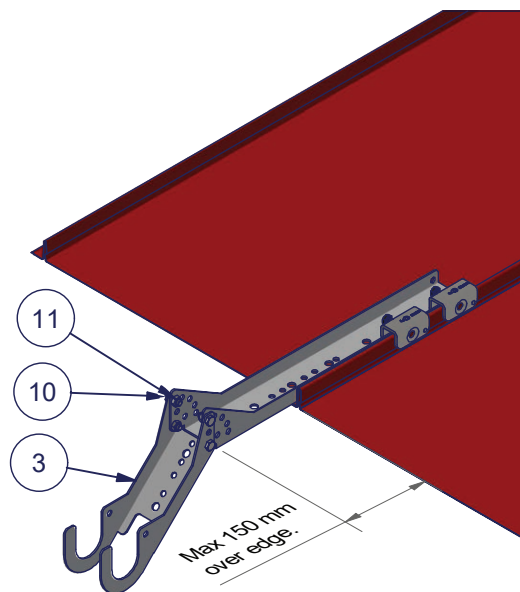
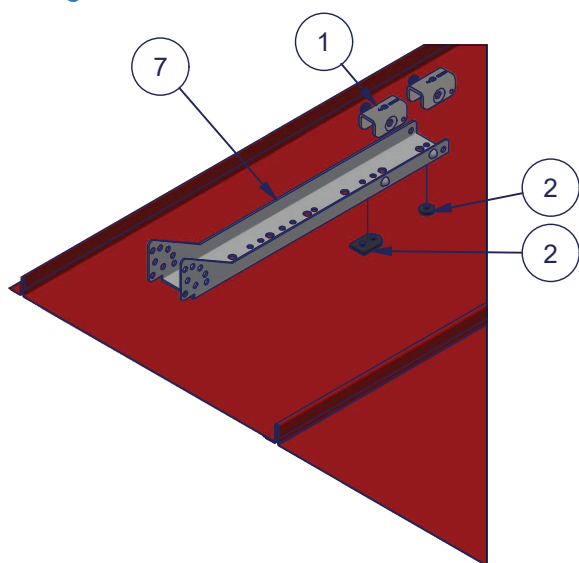


Install the bracket for loose ladder slip guard with three 7x40 HVAC screws to the base board or to the battens, minimum thickness 15 mm.

Fix the slip guard to the bracket with four M8x16 hexagon bolts and nuts.

## INSTALLATION

### Standing seam roof

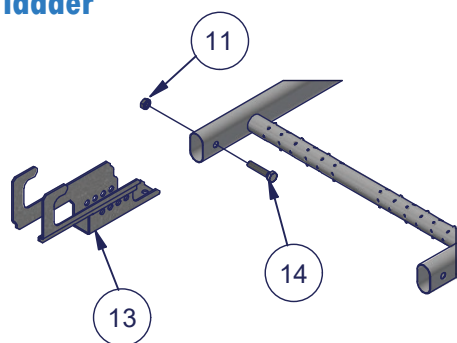


Assemble Pisko 2+1 seals to the bottom of the bracket for loose ladder slip guard and fix to the seam with two UniSeam tightening clamps. Use wrench to tighten clamp screws to 18 Nm. Bracket may exceed the edge of the roof by 150 mm max.

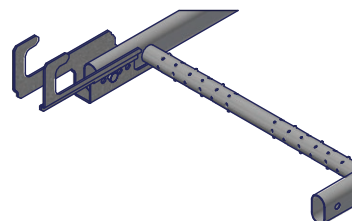
Fix the slip guard to the bracket with four M8x16 hexagon bolts and nuts.

## INSTALLATION

### Roof ladder



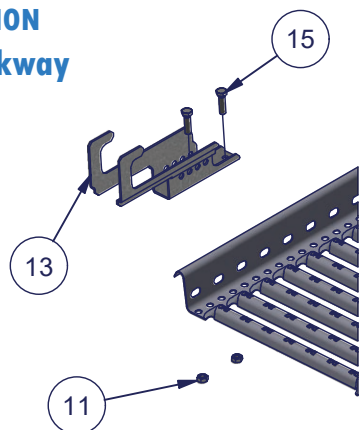
Set the slip guard to roof ladder stile, put M8x30 bolt through slip guard and ladder stile hole.



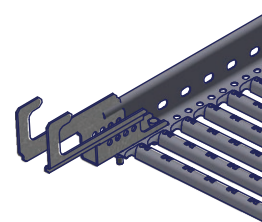
Tighten bolt and nut.

## INSTALLATION

### Roof walkway



Set the slip guard to walkway side at the bottom of the groove. Put two M8x30 bolts through slip guard to walkway holes.



Tighten bolt and nut.

## USE

The slip guard for loose ladder has been tested according to the requirements of SS 831342:2014. Before climbing, make sure that the ladder is suitable for climbing and fits the slip guard for loose ladder as described in the installation instructions. User weight with equipment max. 100 kg.

## MAINTENANCE

Pisko products are hard-wearing and safe to use, guaranteed by the ongoing quality control and development work by Piristee Ltd, as well as correct installation of the products according to the manufacturer's instructions. To ensure the reliability and safety of the products, the property owner must carry out yearly inspection and maintenance procedures.

- Check the tightness of joints, connections and attachments.
- Ensure any excessive snow load is cleared to minimize the strain on structures and attachment points (as necessary; there might be a need several times during the winter). Product durability in accordance with the certification certificate.
- Check the paintwork and zinc coating of the products; repair faults and touch up paintwork if necessary
- Replace or repair any damaged or faulty parts as soon as possible.