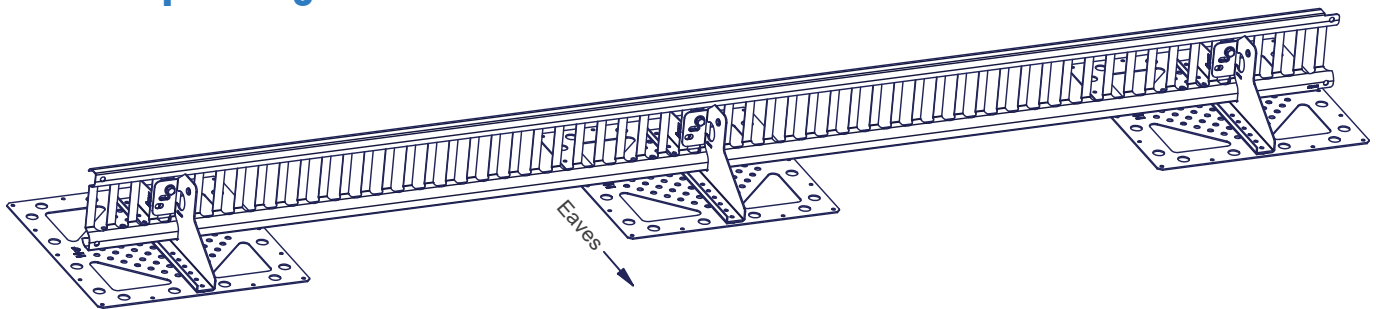
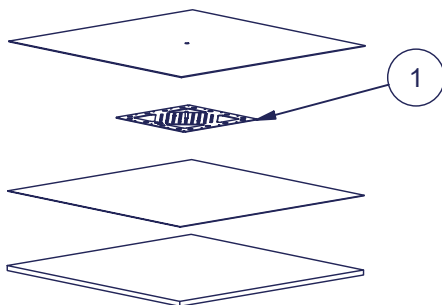


Pisko SnowDefence 150 Compact snow fence for waterproofing membrane roof



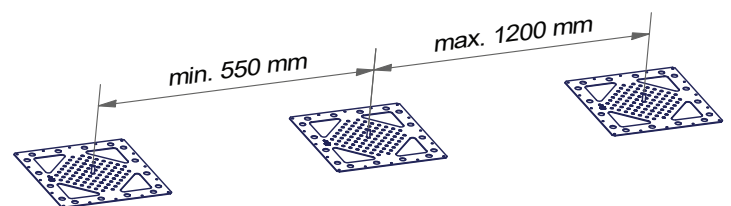
ASSEMBLY

Install the mounting plates (1) on waterproofing membrane roof according to the assembly instruction of the mounting plate on waterproofing membrane roof.

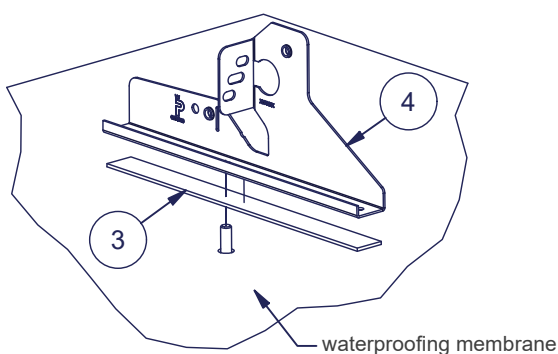


At least 3 mounting plates / brackets per continuous length.
Distance between the mounting plates:

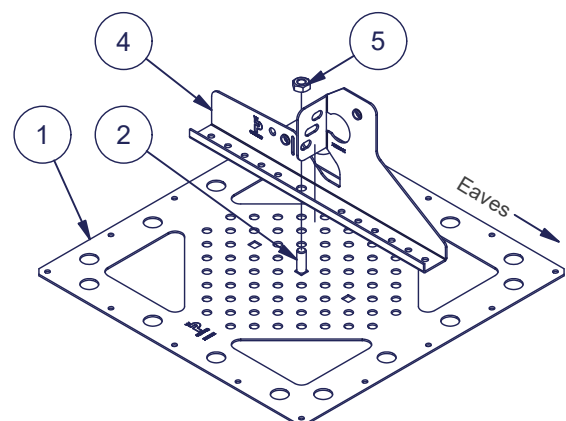
- Min. 550 mm
- Max. 1200 mm



It is recommended to install e.g. an EPDM-sealant strip (3) or similar between the bracket and waterproofing member.

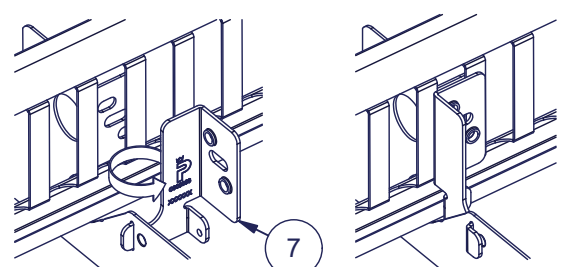
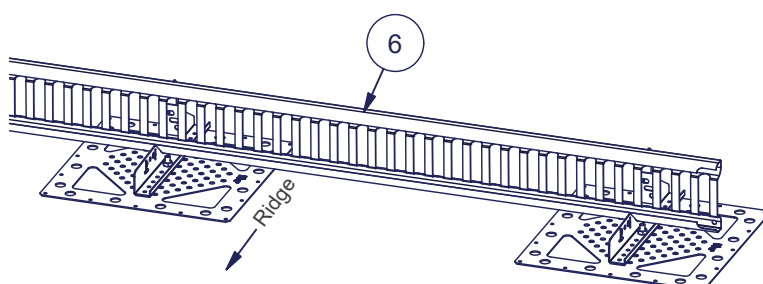


Install Bracket (4) to mounting plate bolt (2) with stainless steel M10 nut (5).

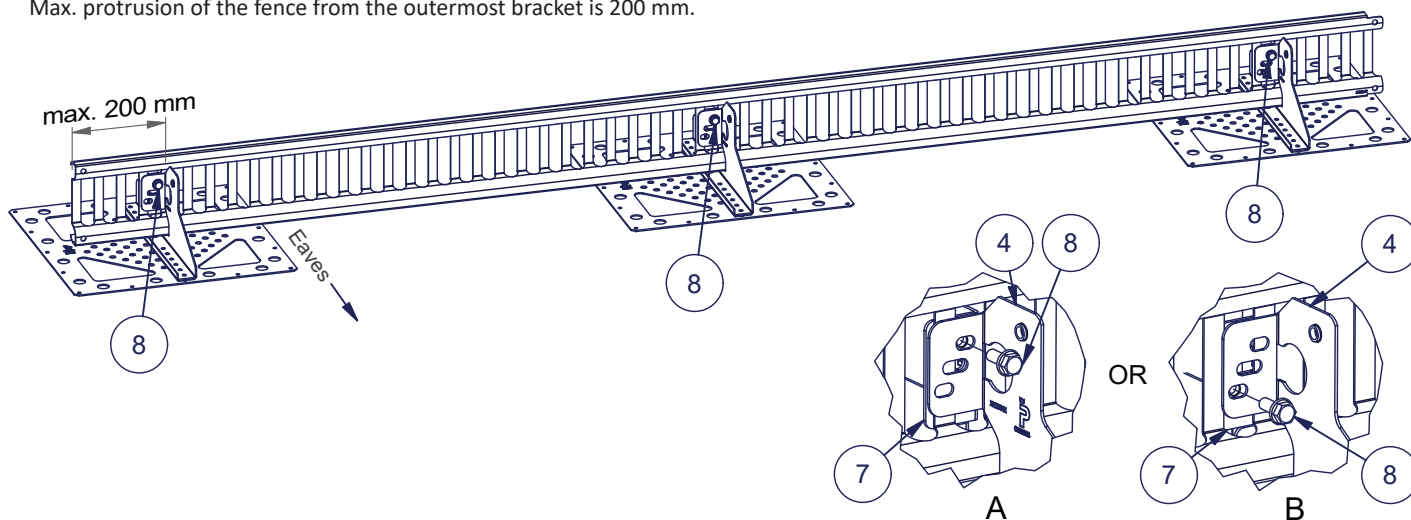


Install the snow fence (6) to the brackets (4) with the drainage holes in the fence profile facing down.

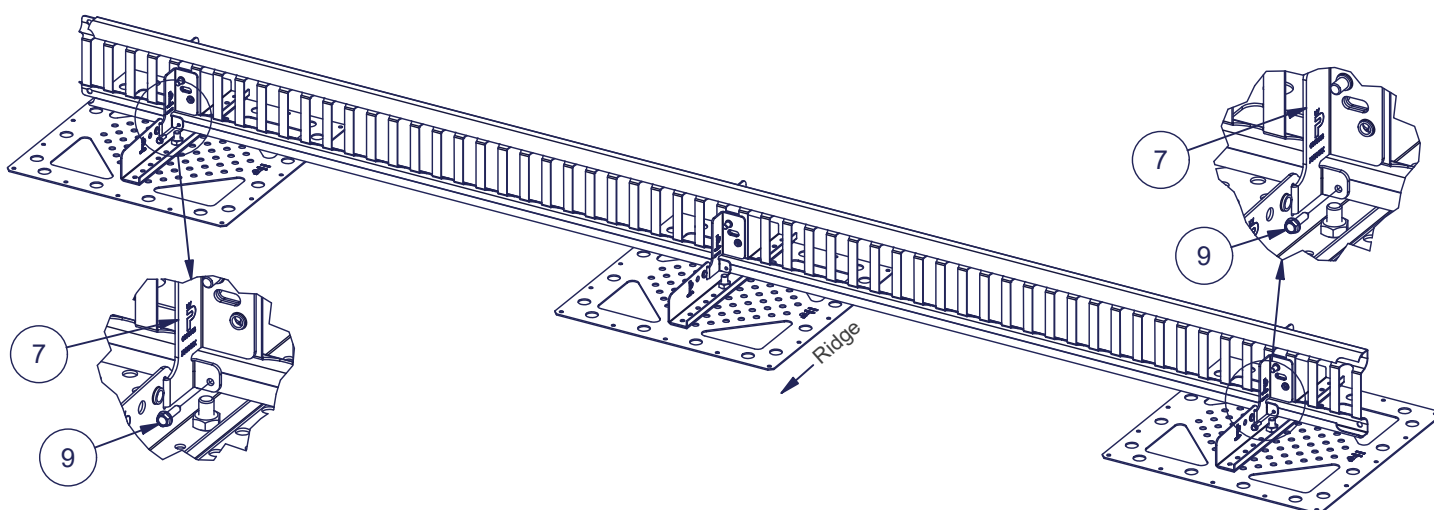
Slide the Fixing Clamp (7) to the slot of the bracket (4) and turn it 90°.



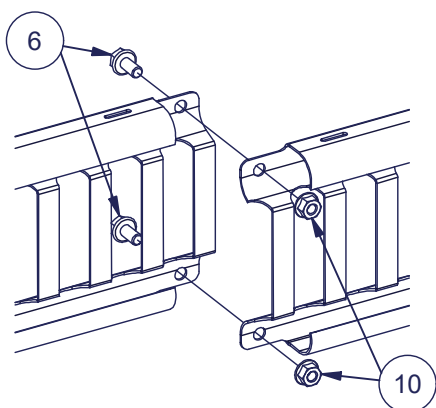
Lock the snow fence in place between each bracket (4) and fixing clamp (7) with a single flange bolt (8). The flange bolt (8) can be screwed into one of the two threaded holes in the fixing clamp (7) (A or B). Alternatively, the fastening can be done from the central oval hole of the bracket, in which case M8 flange nut is used on the other side of the bolt. Max. protrusion of the fence from the outermost bracket is 200 mm.



Attach the outermost fixing clamps (7) to the snow fence with fixing screws (9) in each continuous length.



Fence extension shall be made with 2 flange bolts (8) and flange nuts (10).



Part	Description
1	Mounting plate waterproofing membrane roof
2	Mounting plate bolt M10x30mm, stainless steel
3	Adhesive sealant
4	Bracket for sheet metal roofs
5	Nut M10, stainless steel
6	Pisko SnowDefence 150 Compact Snow fence
7	Fixing clamp 150 Compact
8	Flange Bolt M8x16
9	Fixing screw e.g. 4,8x25 self-tapping farmer screw or 4,8x19 self drilling screw
10	M8 Flange nut

MAXIMUM LENGTH OF ROOF SLOPE (RT Reference Card 85-11132)

Indicative figures for the maximum distance (m) of the roof slope above the snow guard on a smooth surface. The maximum distance on coarse roofs, such as bitumen roofs can be increased by 1.3 – 1.5 times the stated amount. The snow load values shown are the actual snow loads on a roof.

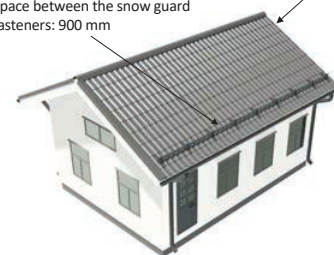
Roof's inclination angle (°) and snow ratio (the ratio of the slope to the horizontal width of the roof pane)	Maximum length of slope above the snow guards					
The characteristic value of the snow load on the roof: 1,8 kN /m ²						
Space between the snow guard fasteners	0,5 m	0,6 m	0,75 m	0,9 m	1,0 m	1,2 m
Roof's inclination angle and snow ratio						
< 15°, (1:3,7)	21,4	17,9	14,3	12,0	10,7	9,0
15... 22°, 1:3,7... 1:2,5	11,4	9,5	7,6	6,3	5,7	4,8
22... 27°, 1:2,5... 1:2	8,4	7,0	5,6	4,7	4,2	3,5
27... 37°, 1:2... 1:1,3	7,4	6,2	4,9	4,1	3,7	3,1
37... 45°, 1:1,3... 1:1	9,0	7,5	5,9	5,0	4,5	3,7
The characteristic value of the snow load on the roof: 2,0 kN /m ²						
Space between the snow guard fasteners	0,5 m	0,6 m	0,75 m	0,9 m	1,0 m	1,2 m
Roof's inclination angle and snow ratio						
< 15°, (1:3,7)	19,1	16,1	12,9	10,8	9,6	8,1
15... 22°, 1:3,7... 1:2,5	10,2	8,6	6,9	5,7	5,1	4,3
22... 27°, 1:2,5... 1:2	7,6	6,3	5,1	4,2	3,8	3,2
27... 37°, 1:2... 1:1,3	6,7	5,6	4,4	3,7	3,3	2,8
37... 45°, 1:1,3... 1:1	8,2	6,8	5,3	4,5	4,1	3,3
The characteristic value of the snow load on the roof: 2,6 kN /m ²						
Space between the snow guard fasteners	0,5 m	0,6 m	0,75 m	0,9 m	1,0 m	1,2 m
Roof's inclination angle and snow ratio						
< 15°, (1:3,7)	15,0	12,5	9,9	8,3	7,5	6,2
15... 22°, 1:3,7... 1:2,5	8,0	6,6	5,3	4,4	4,0	3,3
22... 27°, 1:2,5... 1:2	5,8	4,8	3,9	3,3	2,9	2,4
27... 37°, 1:2... 1:1,3	5,2	4,3	3,4	2,8	2,6	2,1
37... 45°, 1:1,3... 1:1	6,2	5,2	4,1	3,5	3,1	2,6

PICTURED IS AN EXAMPLE OF SNOW GUARDS BEING USED ACCORDING TO THE TABLE.

Maximum length of the slope above the snow guards: 4,7 m

Roof angle 25°
Snow load 1,8 kN/m²

Space between the snow guard fasteners: 900 mm



Maximum length of the slope above the snow guards: 3,3 m

Roof angle 25°
Snow load 2,6 kN/m²

Space between the snow guard fasteners: 900 mm



Pisko Snow Guards are capable of bearing a load of at least 5 kN/m, in the direction of the inclined roof. By following the values in the table these requirements are fulfilled.

MAINTENANCE

Pisko products are hard-wearing and safe to use, guaranteed by the ongoing quality control and development work by Piristeel Ltd, as well as correct installation of the products according to the manufacturer's instructions. To ensure the reliability and safety of the products, the property owner must carry out yearly inspection and maintenance procedures, and make sure that excessive snow load does not accumulate on the roof.

Yearly maintenance inspection checklist for Pisko snow fence:

- Check the tightness of joints, connections and attachments.
- Check fixings to the roof
- Take care to regularly clean the accumulated debris and dirt in the snow fence (such as leaves)
- Ensure any excessive snow load is cleared to minimize the strain on structures and attachment points of snow fence (as necessary; there might be a need several times during the winter). Product durability in accordance with the certification certificate.
- Check the paintwork and zinc coating of the products; repair faults and touch up paintwork if necessary
- Replace or repair any damaged or faulty parts as soon as possible.



C900083