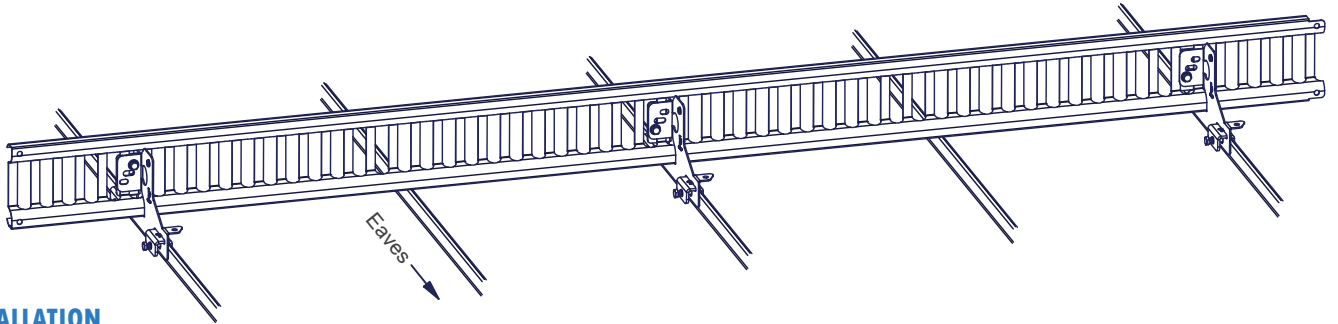


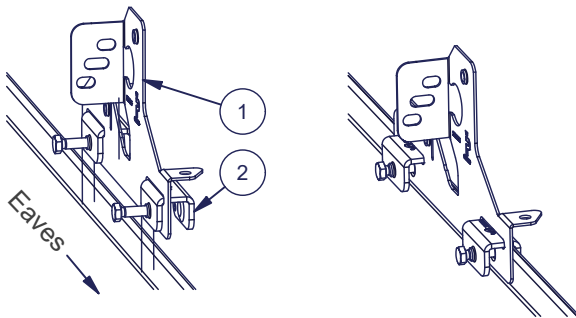
Pisko SnowDefence 150 compact snow fence for standing seam roof

The snow fence can also be equipped with a Snow Rake. The Snow Rake effectively prevents the snow from falling under the snow fence. The Snow Rake is installed according to the separate installation instructions, Pisko Snow Rake for standing seam roof.



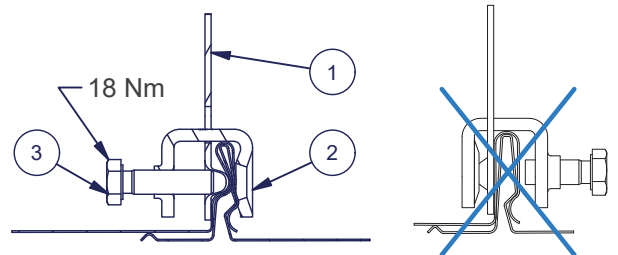
INSTALLATION

SG Fastener UniSeam 150 Compact (1) is mounted on standing seam with SG Tightening Clamps (2). Attach fastener and clamps to the seam.

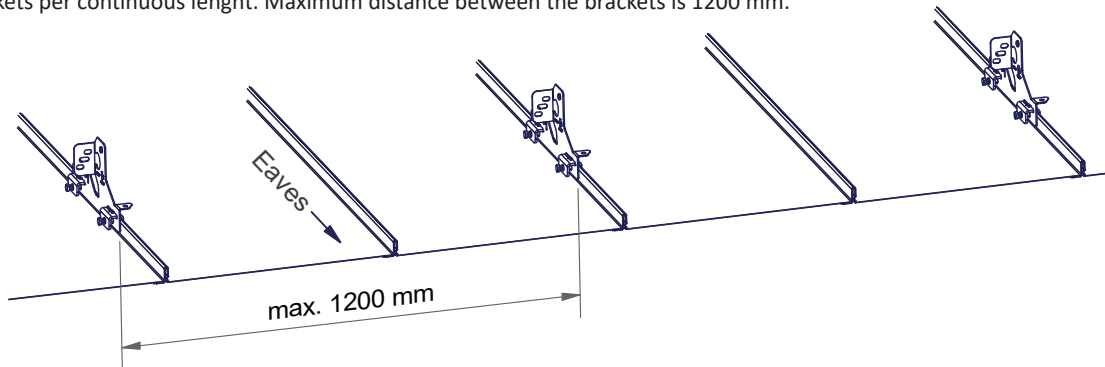


Tightening torque of the fastening bolt (3) is 18 N/m. Correct tightening torque will spread out the Tightening clamp a bit, in order to create a tight long-lasting connection.

NB! The bolt of Tightening clamp must always be against the fastener, NOT against the seam.

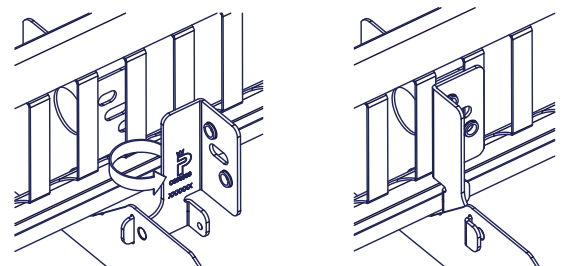
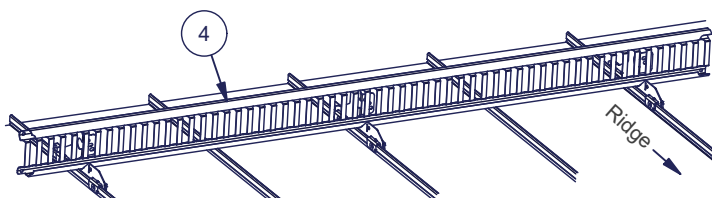


At least 3 brackets per continuous length. Maximum distance between the brackets is 1200 mm.



Install the snow fence (4) to the fasteners (1) with the drainage holes in the fence profile facing down..

Slide the Fixing Clamp (5) to the slot of the fastener (1) and turn it 90°

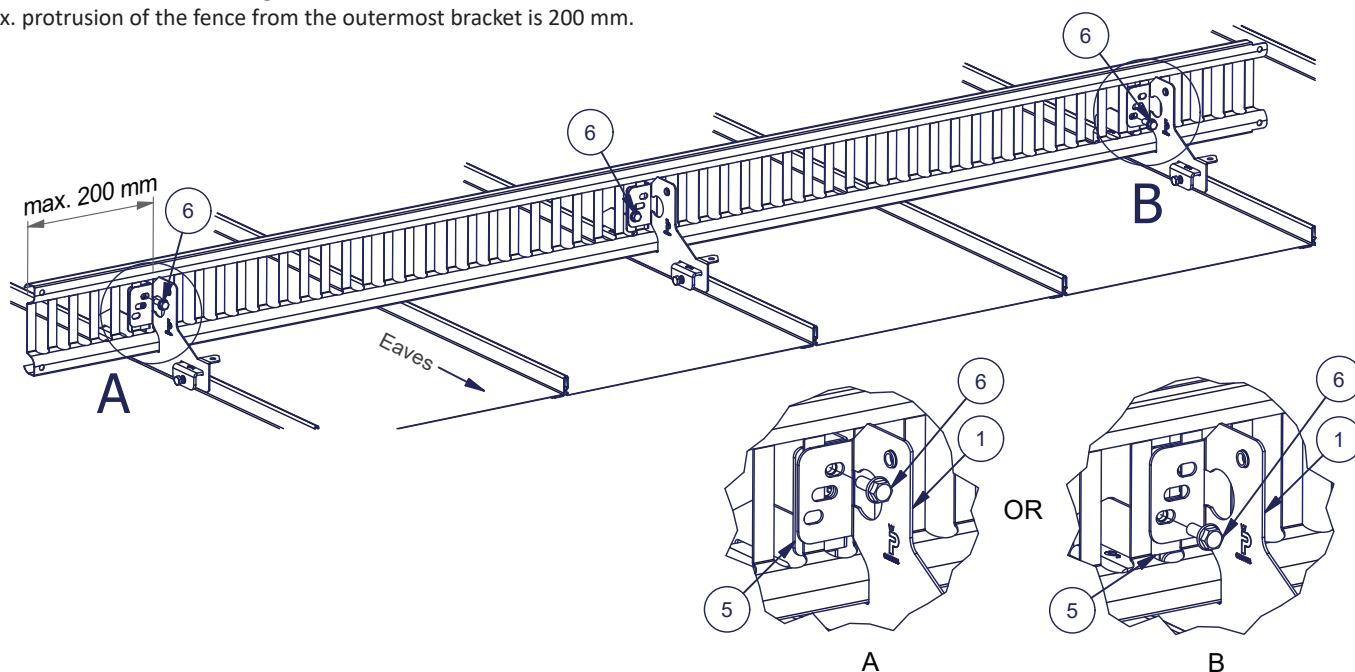


Requirements for min. raw material thickness by roof type:

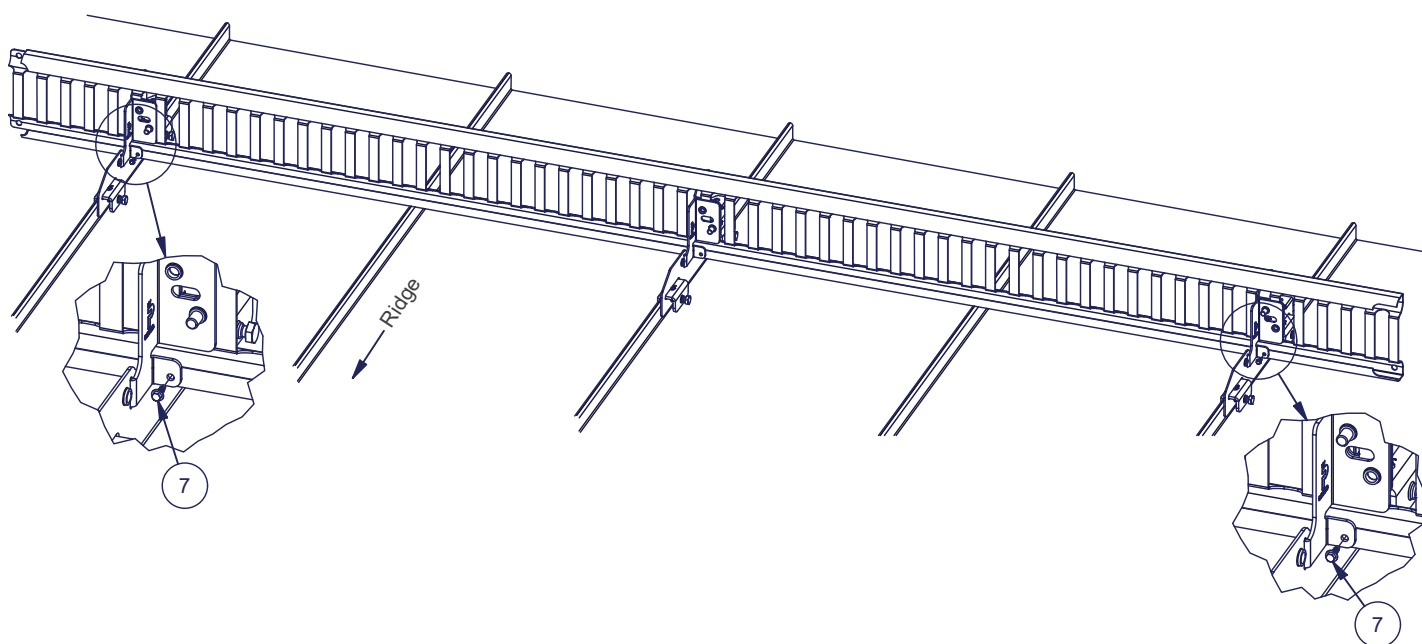
- Standing seam roofs (lock seam)
 - steel 0,5 mm
 - aluminum 0,7 mm
- Standing seam roofs (tinsmith)
 - steel 0,5 mm
 - aluminum 0,8 mm

Part	Description
1	SG Fastener UniSeam 150 Compact
2	SG Tightening clamp, Pisko Uniseam
3	Fastening bolt DIN 933 - M8 x 30
4	Pisko SnowDefence 150 Compact snow fence
5	Fixing Clamp 150 Compact

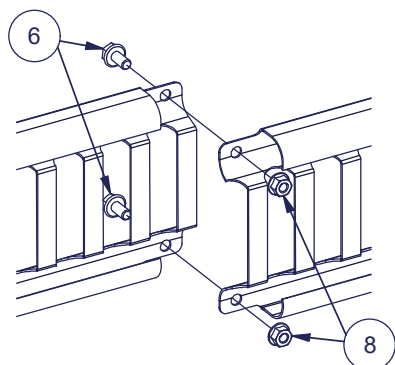
Lock the snow fence in place between each fastener (1) and fixing clamp (5) with a single flange bolt (6). The flange bolt can be screwed into one of the two threaded holes in the fixing clamp (A or B). Alternatively, the fastening can be done from the central oval hole of the bracket, in which case M8 flange nut is used on the other side of the bolt. Max. protrusion of the fence from the outermost bracket is 200 mm.



Attach the outermost fixing clamps to the snow fence with fixing screws (2) in each continuous length.



Fence extension shall be made with 2 flange bolts (6) and flange nuts (8).



Part	Description
1	SG Fastener UniSeam 150 Compact
2	SG Tightening clamp, Pisko Uniseam
3	Fastening bolt M8 x 30
4	Pisko SnowDefence 150 Compact snow fence
5	Fixing Clamp 150 Compact
6	Flange Bolt DIN 6921 - M8 x 16 *
7	Fixing screw, e.g. 4,8x25 self-tapping farmer screw or 4,8x19 self drilling screw
8	Flange Nut DIN 6923 - M8 *

* HDG or equal corrosion protection

MAXIMUM LENGTH OF ROOF SLOPE (RT Reference Card 85-11132)

Indicative figures for the maximum distance (m) of the roof slope above the snow guard on a smooth surface. The maximum distance on coarse roofs, such as bitumen roofs can be increased by 1.3 – 1.5 times the stated amount. The snow load values shown are the actual snow loads on a roof.

Roof's inclination angle (°) and snow ratio (the ratio of the slope to the horizontal width of the roof pane)	Maximum length of slope above the snow guards					
The characteristic value of the snow load on the roof: 1,8 kN /m ²						
Space between the snow guard fasteners	0,5 m	0,6 m	0,75 m	0,9 m	1,0 m	1,2 m
Roof's inclination angle and snow ratio						
< 15°, (1:3,7)	21,4	17,9	14,3	12,0	10,7	9,0
15... 22°, 1:3,7... 1:2,5	11,4	9,5	7,6	6,3	5,7	4,8
22... 27°, 1:2,5... 1:2	8,4	7,0	5,6	4,7	4,2	3,5
27... 37°, 1:2... 1:1,3	7,4	6,2	4,9	4,1	3,7	3,1
37... 45°, 1:1,3... 1:1	9,0	7,5	5,9	5,0	4,5	3,7
The characteristic value of the snow load on the roof: 2,0 kN /m ²						
Space between the snow guard fasteners	0,5 m	0,6 m	0,75 m	0,9 m	1,0 m	1,2 m
Roof's inclination angle and snow ratio						
< 15°, (1:3,7)	19,1	16,1	12,9	10,8	9,6	8,1
15... 22°, 1:3,7... 1:2,5	10,2	8,6	6,9	5,7	5,1	4,3
22... 27°, 1:2,5... 1:2	7,6	6,3	5,1	4,2	3,8	3,2
27... 37°, 1:2... 1:1,3	6,7	5,6	4,4	3,7	3,3	2,8
37... 45°, 1:1,3... 1:1	8,2	6,8	5,3	4,5	4,1	3,3
The characteristic value of the snow load on the roof: 2,6 kN /m ²						
Space between the snow guard fasteners	0,5 m	0,6 m	0,75 m	0,9 m	1,0 m	1,2 m
Roof's inclination angle and snow ratio						
< 15°, (1:3,7)	15,0	12,5	9,9	8,3	7,5	6,2
15... 22°, 1:3,7... 1:2,5	8,0	6,6	5,3	4,4	4,0	3,3
22... 27°, 1:2,5... 1:2	5,8	4,8	3,9	3,3	2,9	2,4
27... 37°, 1:2... 1:1,3	5,2	4,3	3,4	2,8	2,6	2,1
37... 45°, 1:1,3... 1:1	6,2	5,2	4,1	3,5	3,1	2,6

PICTURED IS AN EXAMPLE OF SNOW GUARDS BEING USED ACCORDING TO THE TABLE.

Maximum length of the slope above the snow guards: 4,7 m

Roof angle 25°
Snow load 1,8 kN/m²

Space between the snow guard fasteners: 900 mm



Maximum length of the slope above the snow guards: 3,3 m

Roof angle 25°
Snow load 2,6 kN/m²

Space between the snow guard fasteners: 900 mm



Pisko Snow Guards are capable of bearing a load of at least 5 kN/m, in the direction of the inclined roof. By following the values in the table these requirements are fulfilled.

<p>EUFI29-19002814-VA</p>	<p>Piristee Oy Metallitie 4 FI-62200 Kauhava</p>
	<p>Product: Pisko snow guards</p> <p>Intended Purpose: A roof safety product – The snow guards are used for preventing snow and ice falling from the roof.</p> <p>Performance levels:</p> <p>1. Minimum height: Declared</p> <p>2. Extensions: Fixed</p> <p>3. Static load-bearing capacity: With a 1.5-kN concentrated load and a 5-kN load in the inclination direction of the pitched roof area, the deflection is less than 20 mm and the permanent deflection less than 5 mm.</p> <p>4. Corrosion resistance: Corrosion resistance class C3 medium</p>

MAINTENANCE

Pisko products are hard-wearing and safe to use, guaranteed by the ongoing quality control and development work by Piristee Ltd, as well as correct installation of the products according to the manufacturer's instructions. To ensure the reliability and safety of the products, the property owner must carry out yearly inspection and maintenance procedures, and make sure that excessive snow load does not accumulate on the roof.

Yearly maintenance inspection checklist for Pisko snow fence:

- Check the tightness of joints, connections and attachments.
- Check fixings to the roof
- Take care to regularly clean the accumulated debris and dirt in the snow fence (such as leaves)
- Ensure any excessive snow load is cleared to minimize the strain on structures and attachment points of snow fence (as necessary; there might be a need several times during the winter). Product durability in accordance with the certification certificate.
- Check the paintwork and zinc coating of the products; repair faults and touch up paintwork if necessary
- Replace or repair any damaged or faulty parts as soon as possible.