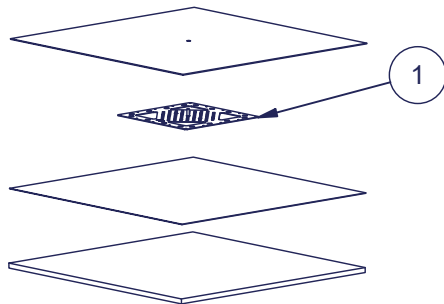


Pisko SnowDefence 150

3-pipe snow guard for waterproofing membrane roof

ASSEMBLY

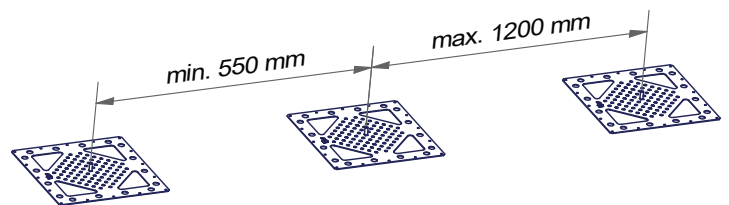
Install the mounting plates (1) on waterproofing membrane roof according to the assembly instruction of the mounting plate on waterproofing membrane roof.



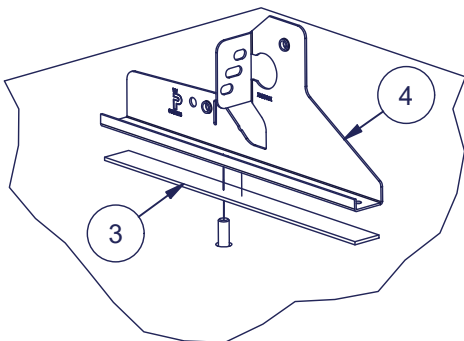
At least 3 brackets per continuous length.

Distance between the mounting plates:

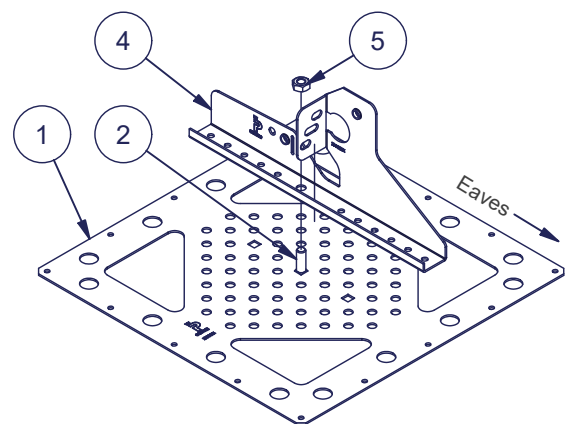
- Min. 550 mm
- Max. 1200 mm



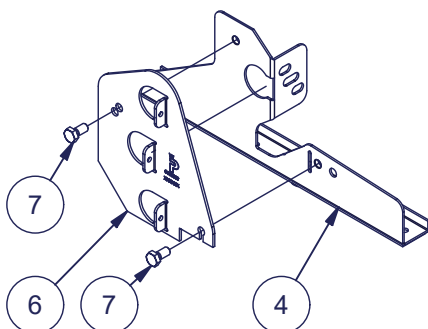
It is recommended to install e.g. an EPDM-sealant strip (3) or similar between the bracket and waterproofing member.



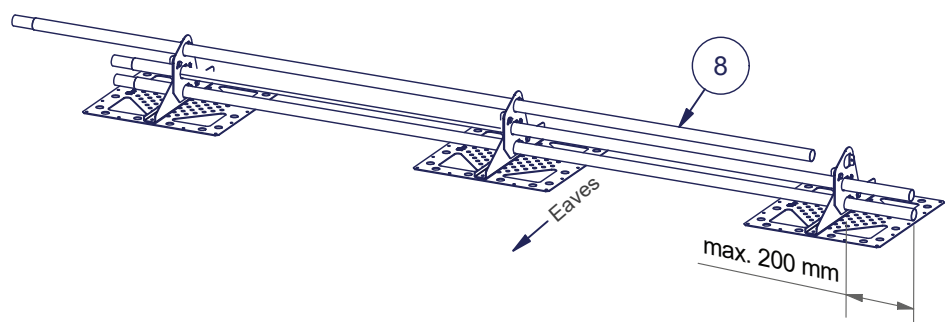
Install Bracket (4) to mounting plate bolt (2) with stainless steel M10 nut (5).



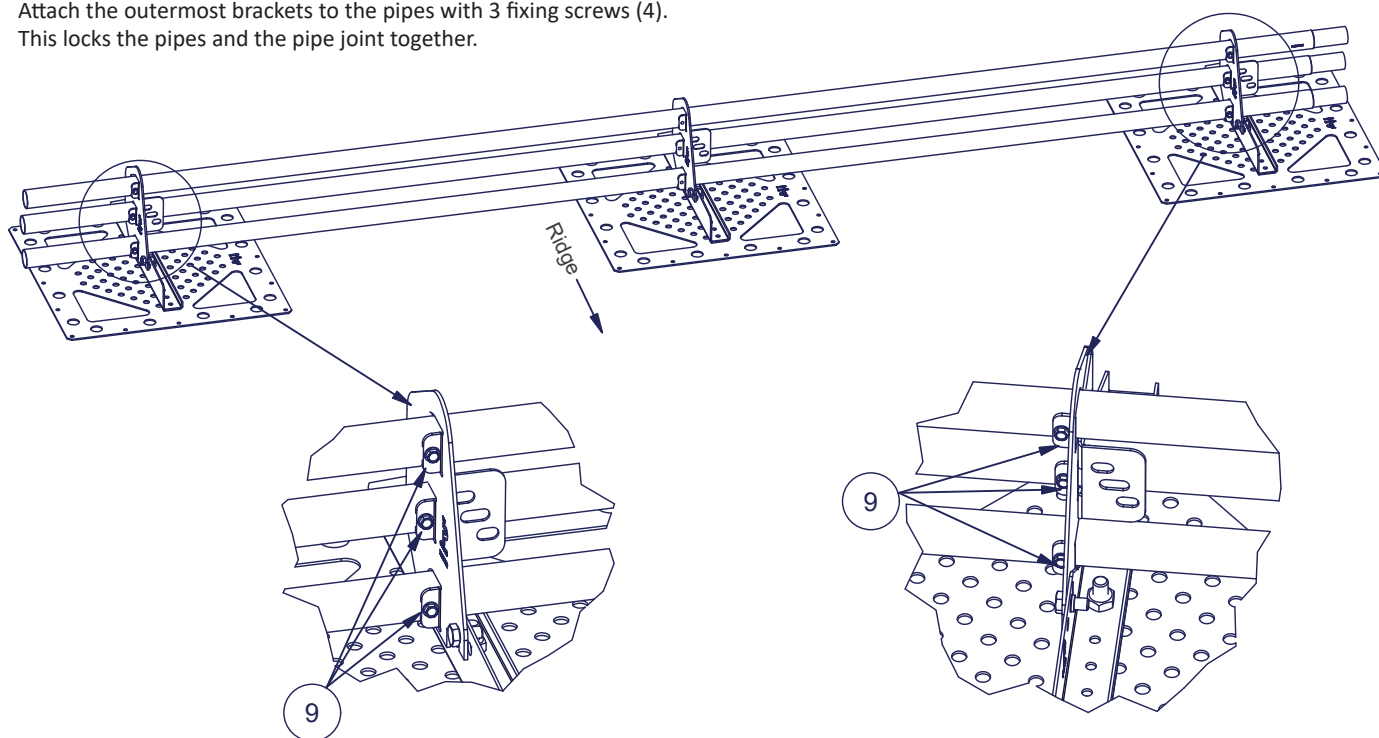
Attach the Locking bracket for snow guard pipes (6) to each bracket (4) with two M8x16 bolts (7).



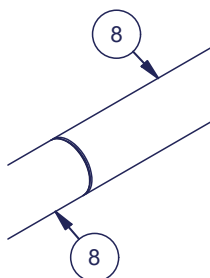
Slide the pipes (8) through the holes of the brackets. Max protrusion from the outermost bracket 200 mm.



Attach the outermost brackets to the pipes with 3 fixing screws (4).
This locks the pipes and the pipe joint together.



The extension of the pipes shall be done by sliding the pipe end with solid reducer inside the adjacent non-reduced pipe.



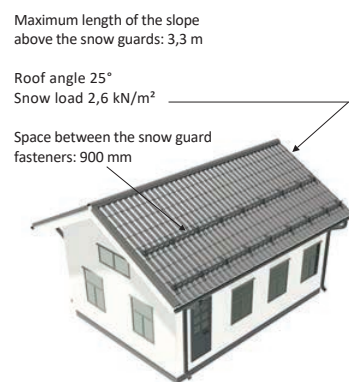
Part	Description
1	Mounting plate waterproofing membrane roof
2	Mounting plate bolt M10x30mm, stainless steel
3	Adhesive sealant
4	Bracket for sheet metal roofs
5	Nut M10, stainless steel
6	Locking bracket for snow guard pipes
7	Bolt M8x16 DIN 933 HDG
8	Snow guard pipe Ø32
9	Fixing screw e.g. 4,8x25 self-tapping farmer screw or 4,8x19 self drilling screw

MAXIMUM LENGTH OF ROOF SLOPE (RT Reference Card 85-11132)

Indicative figures for the maximum distance (m) of the roof slope above the snow guard on a smooth surface. The maximum distance on coarse roofs, such as bitumen roofs can be increased by 1.3 – 1.5 times the stated amount. The snow load values shown are the actual snow loads on a roof.

Roof's inclination angle (°) and snow ratio (the ratio of the slope to the horizontal width of the roof pane)	Maximum length of slope above the snow guards					
The characteristic value of the snow load on the roof: 1,8 kN/m ²						
Space between the snow guard fasteners	0,5 m	0,6 m	0,75 m	0,9 m	1,0 m	1,2 m
Roof's inclination angle and snow ratio						
< 15°, (1:3,7)	21,4	17,9	14,3	12,0	10,7	9,0
15... 22°, 1:3,7... 1:2,5	11,4	9,5	7,6	6,3	5,7	4,8
22... 27°, 1:2,5... 1:2	8,4	7,0	5,6	4,7	4,2	3,5
27... 37°, 1:2... 1:1,3	7,4	6,2	4,9	4,1	3,7	3,1
37... 45°, 1:1,3... 1:1	9,0	7,5	5,9	5,0	4,5	3,7
The characteristic value of the snow load on the roof: 2,0 kN/m ²						
Space between the snow guard fasteners	0,5 m	0,6 m	0,75 m	0,9 m	1,0 m	1,2 m
Roof's inclination angle and snow ratio						
< 15°, (1:3,7)	19,1	16,1	12,9	10,8	9,6	8,1
15... 22°, 1:3,7... 1:2,5	10,2	8,6	6,9	5,7	5,1	4,3
22... 27°, 1:2,5... 1:2	7,6	6,3	5,1	4,2	3,8	3,2
27... 37°, 1:2... 1:1,3	6,7	5,6	4,4	3,7	3,3	2,8
37... 45°, 1:1,3... 1:1	8,2	6,8	5,3	4,5	4,1	3,3
The characteristic value of the snow load on the roof: 2,6 kN/m ²						
Space between the snow guard fasteners	0,5 m	0,6 m	0,75 m	0,9 m	1,0 m	1,2 m
Roof's inclination angle and snow ratio						
< 15°, (1:3,7)	15,0	12,5	9,9	8,3	7,5	6,2
15... 22°, 1:3,7... 1:2,5	8,0	6,6	5,3	4,4	4,0	3,3
22... 27°, 1:2,5... 1:2	5,8	4,8	3,9	3,3	2,9	2,4
27... 37°, 1:2... 1:1,3	5,2	4,3	3,4	2,8	2,6	2,1
37... 45°, 1:1,3... 1:1	6,2	5,2	4,1	3,5	3,1	2,6

PICTURED IS AN EXAMPLE OF SNOW GUARDS BEING USED ACCORDING TO THE TABLE.



Pisko Snow Guards are capable of bearing a load of at least 5 kN/m, in the direction of the inclined roof. By following the values in the table these requirements are fulfilled.

MAINTENANCE

Pisko products are hard-wearing and safe to use, guaranteed by the ongoing quality control and development work by Piristeel Ltd, as well as correct installation of the products according to the manufacturer's instructions. To ensure the reliability and safety of the products, the property owner must carry out yearly inspection and maintenance procedures, and make sure that excessive snow load does not accumulate on the roof.

Yearly maintenance inspection checklist for Pisko snow guards:

- Check the tightness of joints, connections and attachments.
- Check fixings to the roof
- Take care to regularly clean the accumulated debris and dirt in the snow guard (such as leaves)
- Ensure any excessive snow load is cleared to minimize the strain on structures and attachment points of snow guard (as necessary; there might be a need several times during the winter). Product durability in accordance with the certification certificate.
- Check the paintwork and zinc coating of the products; repair faults and touch up paintwork if necessary
- Replace or repair any damaged or faulty parts as soon as possible.



C900083