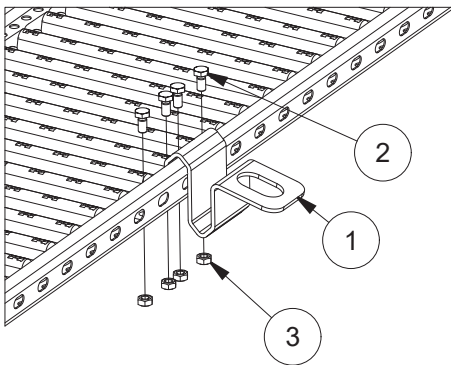


PISKO ROPE FASTENER

INSTALLATION - USE IN THE DIRECTION OF THE EAVES

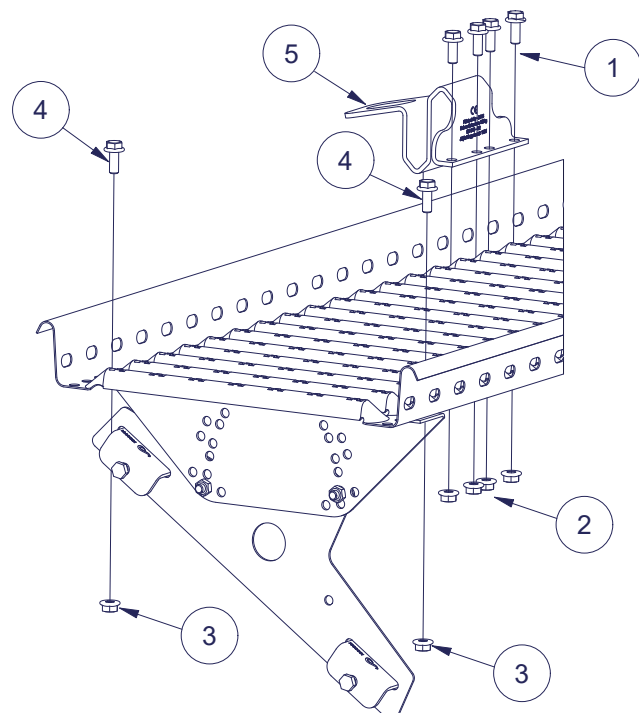
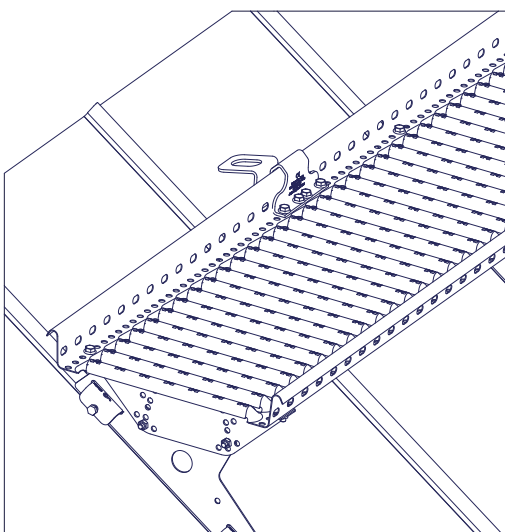
- The rope fastener is installed on the edge fold of the roof walkway according to EN 516 standard class 2 with four M8x16 hexagon bolts and M8 hexagon nuts.
- Rope fastener must not be installed outside the outermost roof walkway fastener.
- If several rope fasteners are installed on one roof walkway assembly, their distance from each other must be at least 4 meters.



Part	Description
1	Rope fastener, stainless steel
2	Hexagon bolt DIN 933 - M8x16 HDG
3	Hexagon nut DIN 934 - M8 HDG

INSTALLATION - USE OVER THE ROOF RIDGE (Pisko UniSeam fastening system)

- The rope fastener is installed with four M8x20 flange screws and M8 flange nuts on the ridge side of the roof walkway.
- Rope fastener must not be installed outside the outermost roof walkway fastener.
- If several rope fasteners are installed on one roof walkway assembly, their distance from each other must be at least 4 meters.
- If the rope fastener is used over the roof ridge, the inclination adjustment plates adjacent to the rope fastener shall be installed to the roof walkway with M8 hexagon screws and nuts with flanges.



Part	Description
1	M8x20 flange screw, A2 stainless steel
2	M8 flange nut, A4, stainless steel
3	M8 flange nut
4	M8x16 flange screw
5	Rope fastener, stainless steel

USE

The rope fastener can be used as an anchoring point for the safety rope during maintenance work on the pitched roof area (snow removal, roof painting etc. and on roofs where the installation of an actual safety rail is not appropriate).

The use over the roof ridge has only been tested with the Pisko UniSeam fastening system on assemblies installed in accordance with this installation instruction.

MAINTENANCE

Rope fastener must be inspected annually by a person authorised by the manufacturer to ensure the durability of the performance.

