

Pisko snow fence installation with snow fence fastener plate

The snow fence is placed as close to the eaves as possible so that the loads are transferred to the load-bearing structures. The installation of snow fence with snow fence fastener plate starts by selecting appropriate snow guard fastener for the roof type. Snow guard fasteners are installed in accordance with the snow guard fastener installation guide.

The snow fence can be installed either towards the roof ridge or towards the eaves (figures 1 and 2).

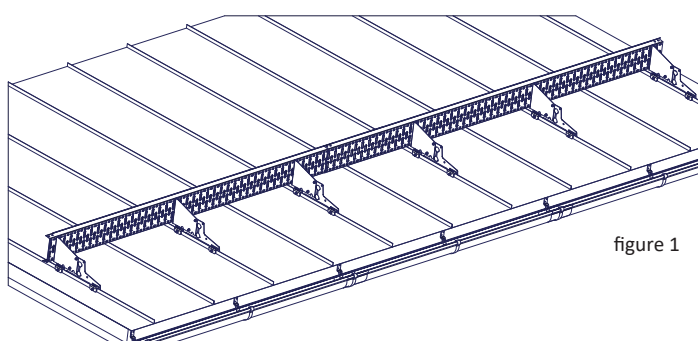


figure 1

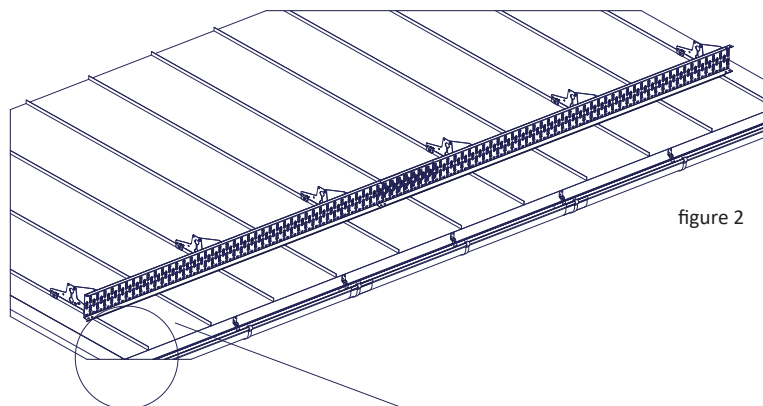


figure 2

INSTALLATION

The snow fence profile is fixed to the snow guard fastener with two M8x16 hexagon bolts and two M8 hexagon nuts (figure 4). The snow fence fastener plate is fixed to the snow fence with two M8x16 hexagon bolts and two M8 hexagon nuts (figure 4).

When installing the snow fence towards the eaves (figure 2), it is recommended to use a washer on the side of the snow fence profile in addition to M8x16 hexagon bolts and M8 hexagon nuts (figure 3).

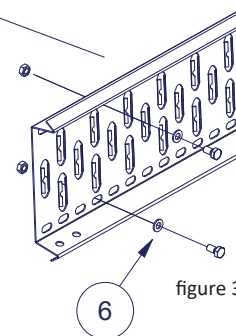


figure 3

The extension of the snow fence is done by overlapping and securing the connection from both sides with two M8x16 hexagon bolts and two M8 hexagon nuts (figure 5).

Maximum distance between fasteners is 1000 mm. The edges of the snow fence shall not outreach the outermost fastener by more than 200 mm.

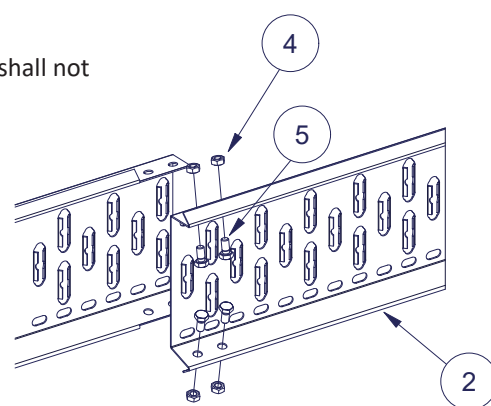


figure 5

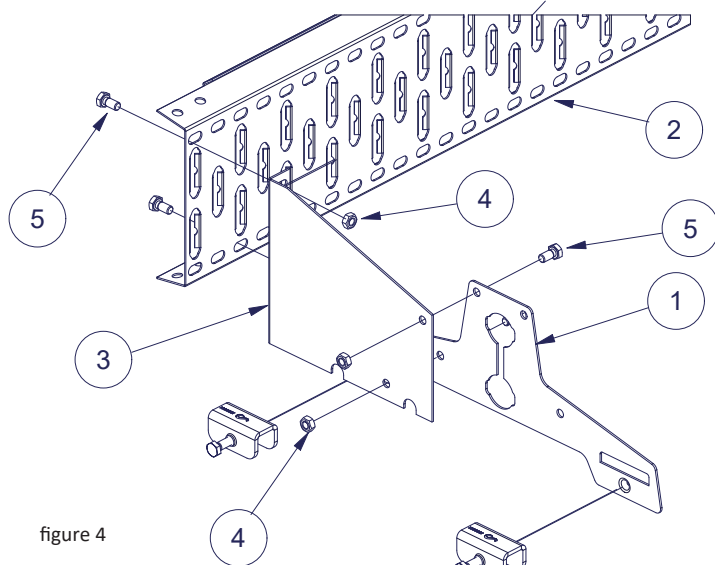


figure 4

Part	Description
1	Snow guard fastener
2	Snow fence profile
3	Snow fence fastener plate
4	Hexagon nut DIN 934 - M8 HDG
5	Hexagon bolt DIN 933 - M8x16 HDG
6	Washer

EXTRA PROFILE FOR SNOW FENCE

The extra profile can prevent minor snow and ice run-off from under the snow fence. Extra profiles are fastened with four M8x16 hexagon bolts and four M8 hexagon nuts (figure 6).

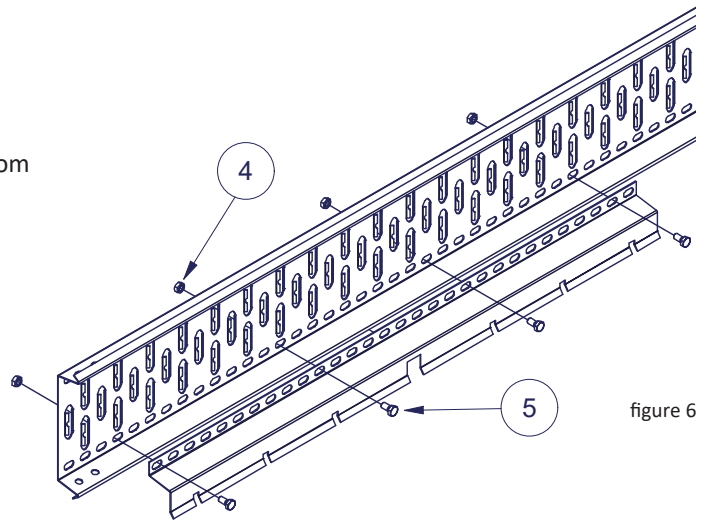
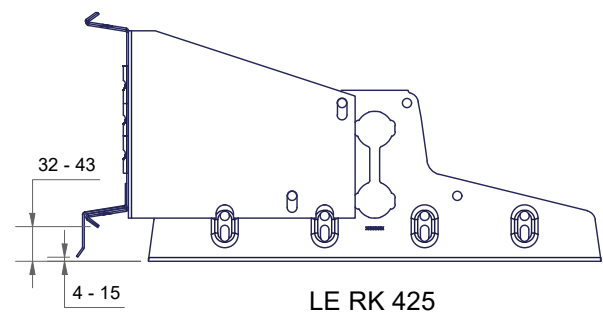
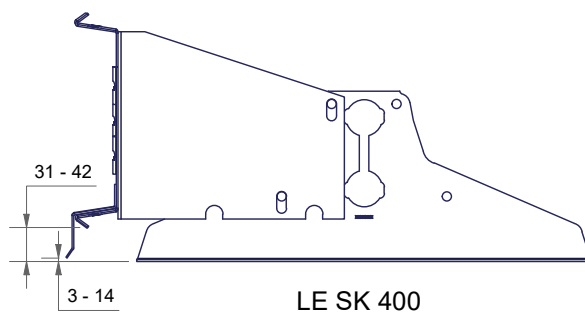
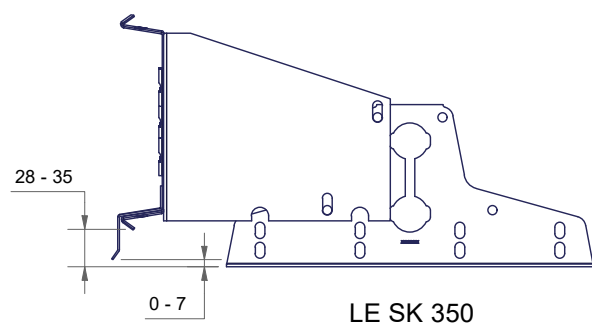
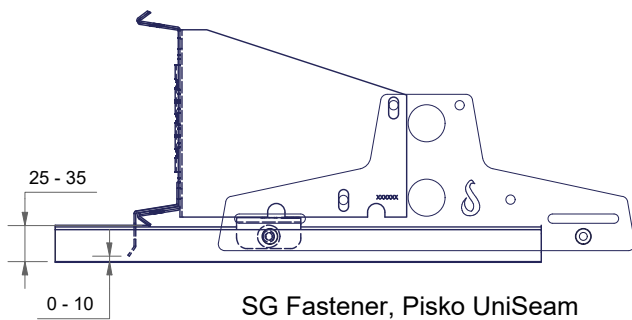


figure 6

SNOW FENCE AND EXTRA PROFILE HEIGHTS WITH DIFFERENT FASTENERS



MAINTENANCE

Pisko products are hard-wearing and safe to use, guaranteed by the ongoing quality control and development work by Piristee Ltd, as well as correct installation of the products according to the manufacturer's instructions. To ensure the reliability and safety of the products, the property owner must carry out yearly inspection and maintenance procedures, and monitor that the snow load specified by the regulations is not exceeded.

- Check the tightness of joints, connections and attachments.
- Ensure any excessive snow load is cleared to minimize the strain on structures and attachment points (as necessary; there might be a need several times during the winter). Product durability in accordance with the certification certificate.
- Check the paintwork and zinc coating of the products; repair faults and touch up paintwork if necessary
- Replace or repair any damaged or faulty parts as soon as possible.