

## Pisko snow fence for tile roof

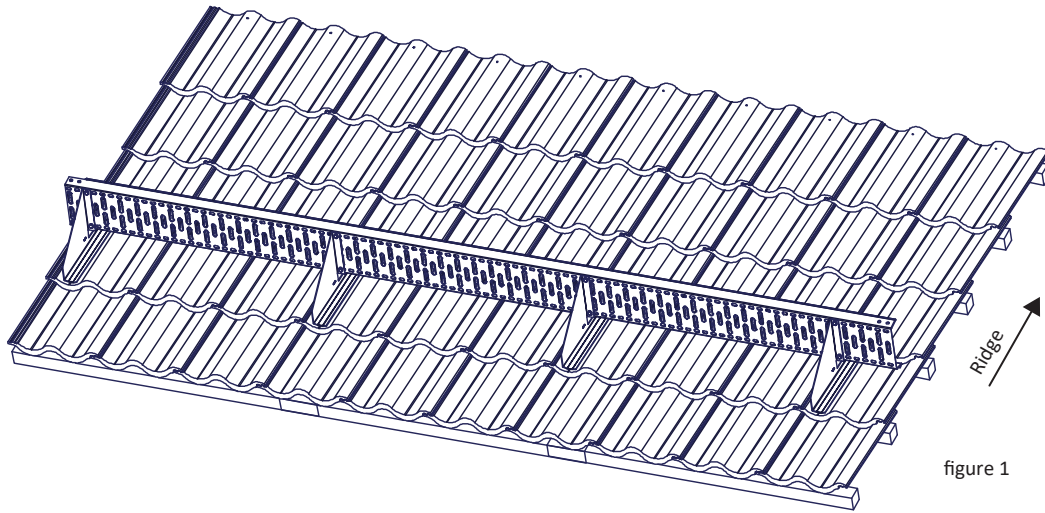


figure 1

### INSTALLATION

The snow fence is placed as close to the eaves as possible so that the loads are transferred to the load-bearing structures.

The snow fence profile is fixed to the snow-fence fastener with two M8x16 hexagon bolts and two M8 hexagon nuts (figure 3). The snow-fence fastener is mounted on the auxiliary batten with two 7x50 HVAC screws (figures 2 and 3). Minimum thickness of the auxiliary batten is 32x100mm (structural timber quality). The auxiliary batten shall be fixed to at least three roof trusses with two 6x120 mm screws per truss.

The extension of the snow fence is done by overlapping and securing the connection from both sides with two M8x16 hexagon bolts and two M8 hexagon nuts (figure 4).

Maximum distance between fasteners is 1000 mm. The edges of the snow fence shall not outreach the outermost fastener by more than 200 mm.

Part	Description
1	Hexagon nut DIN 934 - M8 HDG
2	Hexagon bolt DIN 933 - M8x16 HDG
3	Snow-fence fastener, tiled roof
4	Snow fence profile 3000 mm
5	HVAC-screw 7x50 mm (2 pcs/fastener)

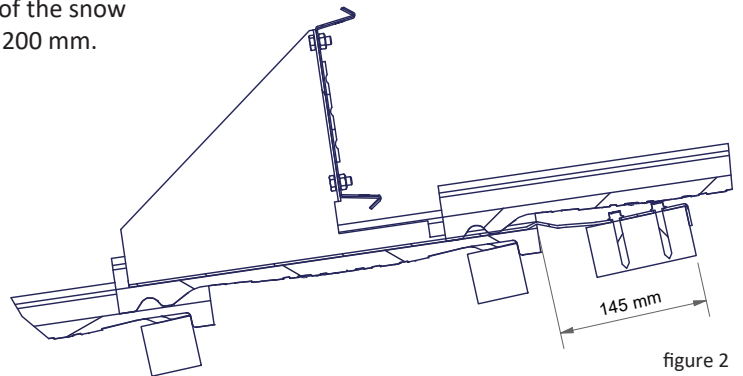


figure 2

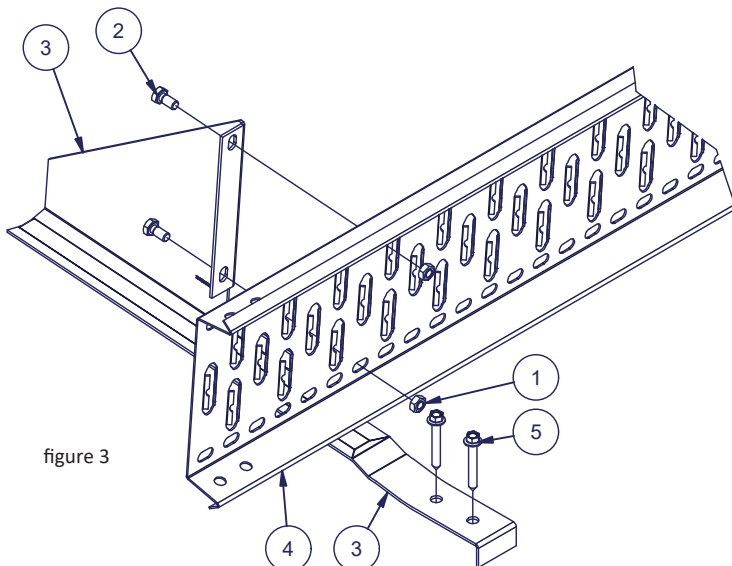


figure 3

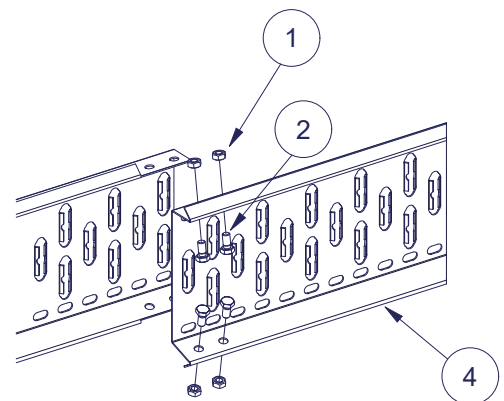


figure 4

## MAINTENANCE

Pisko products are hard-wearing and safe to use, guaranteed by the ongoing quality control and development work by Piristee Ltd, as well as correct installation of the products according to the manufacturer's instructions. To ensure the reliability and safety of the products, the property owner must carry out yearly inspection and maintenance procedures, and monitor that the snow load specified by the regulations is not exceeded.

- Check the tightness of joints, connections and attachments.
- Ensure any excessive snow load is cleared to minimize the strain on structures and attachment points (as necessary; there might be a need several times during the winter). Product durability in accordance with the certification certificate.
- Check the paintwork and zinc coating of the products; repair faults and touch up paintwork if necessary
- Replace or repair any damaged or faulty parts as soon as possible.