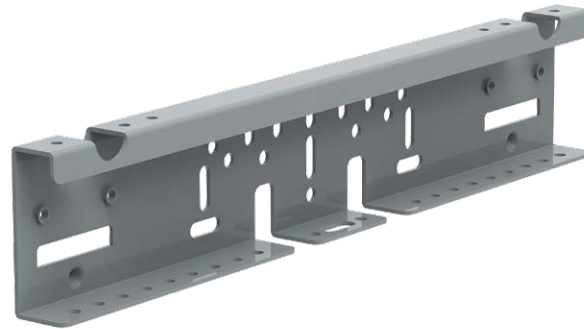


Pisko® MultiFast parts list



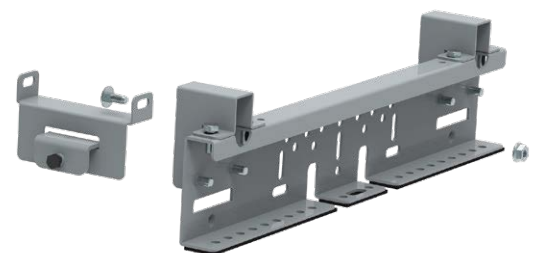
Pisko® MultiFast fixing solutions for the roof ladder

The roof ladder must be fixed to the structures of the roof at least at the top and bottom end of the ladder in accordance with the installation instructions with MultiFast fasteners and fixing accessories specific to the roof type (max. distance between MultiFast fasteners attached to the structures of the roof is 5000 mm). In addition, the roof ladder must be supported against the surface of the roof with MultiFast fasteners, the max. distance between fasteners is 1400 mm. See installation instructions.



Part list MultiFast fastener for standing seam roofs

PRICE LIST NO.	PRODUCT NAME	PCS
720	Pisko MultiFast fastener	1
721	Bracket for seam roofs, Pisko MultiFast	1
671	SG Tightening Clamp, Pisko UniSeam	1
580	EPDM sealant strip	1
728	M8x20 carriage bolt DIN 603 A4, HDG	1
729	M8 flange nut without serration, DIN 6923 A2, SS	1
723	Pisko MultiFast stile bracket	2
724	Pisko MultiFast stile bracket, easyfix *)	2*)
590	Hexagon bolt 8 x 16 mm, hdg DIN 933, HDG	8



*) Alternative stile bracket, Note! Not for the top or bottom MultiFast bracket of the ladder. See installation instructions.

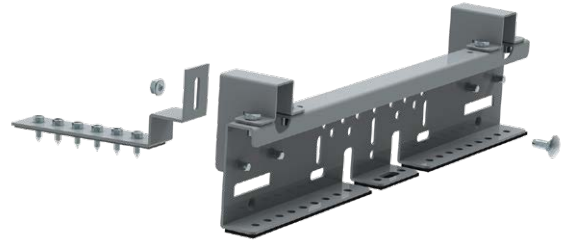


Pisko® MultiFast fixing solutions for the roof ladder

Part list

MultiFast fastener for steel roofs

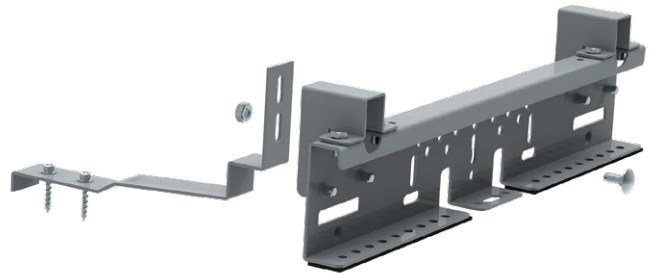
PRICE LIST NO.	PRODUCT NAME	PCS
720	Pisko MultiFast fastener	1
722	Steel roof fixing rod for Pisko MultiFast	1
669	Pisko sheet metal screw 6.3x19, A2 stainless steel	6
580	EPDM sealant strip	1
728	M8x20 carriage bolt DIN 603 A4, HDG	1
729	M8 flange nut without serration, DIN 6923 A2, SS	1
723	Pisko MultiFast stile bracket	2
724	Pisko MultiFast stile bracket, easyfix *)	2*)
590	Hexagon bolt 8 x 16 mm, hdg DIN 933, HDG	8



Part list

MultiFast fastener for tile roofs, auxiliary batten fastening

PRICE LIST NO.	PRODUCT NAME	PCS
720	Pisko MultiFast fastener	1
727	Ladder fixing rod for auxiliary batten	1
580	EPDM sealant strip	1
728	M8x20 carriage bolt DIN 603 A4, HDG	1
729	M8 flange nut without serration, DIN 6923 A2, SS	1
664	Pisko roof safety fastener screw 7x40 mm	2
723	Pisko MultiFast stile bracket	2
724	Pisko MultiFast stile bracket, easyfix *)	2*)
590	Hexagon bolt 8 x 16 mm, hdg DIN 933, HDG	8



Part list

MultiFast fastener for waterproofing membrane roofs

PRICE LIST NO.	PRODUCT NAME	PCS
720	Pisko MultiFast fastener	1
576	Mounting plate for waterproofing membrane roof	1
662	Mounting Plate Bolt 10x30mm, A2	1
663	M10 Nut DIN6923, A2	1
675	Anchor point sealant, EPDM	1
582	Pisko 2+1 seal / EPDM sealant strip (580)	1
723	Pisko MultiFast stile bracket	2
724	Pisko MultiFast stile bracket, easyfix *)	2*)
590	Hexagon bolt 8 x 16 mm, hdg DIN 933, HDG	8



*) Alternative stile bracket, Note! Not for the top or bottom MultiFast bracket of the ladder. See installation instructions.



Pisko® MultiFast fixing solutions for roof walkway as access way parallel to the slope

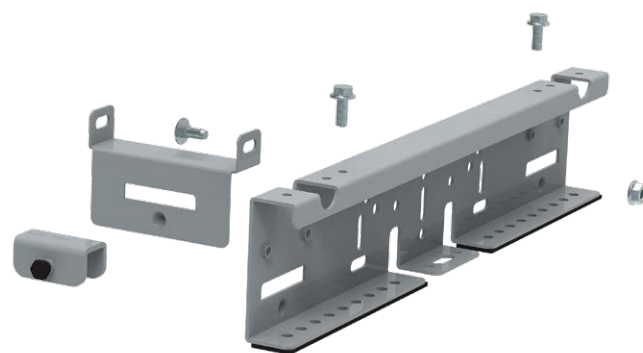
The roof walkway must be fixed to the structures of the roof at least at the top and bottom end of the walkway in accordance with the installation instructions with MultiFast fasteners and fixing accessories specific to the roof type (max. distance between MultiFast fasteners attached to the structures of the roof is 5000 mm). In addition, the roof walkway must be supported against the surface of the roof with MultiFast fasteners, the max. distance between fasteners is 1400 mm. See installation instructions.



Part list

MultiFast fastener for standing seam roofs

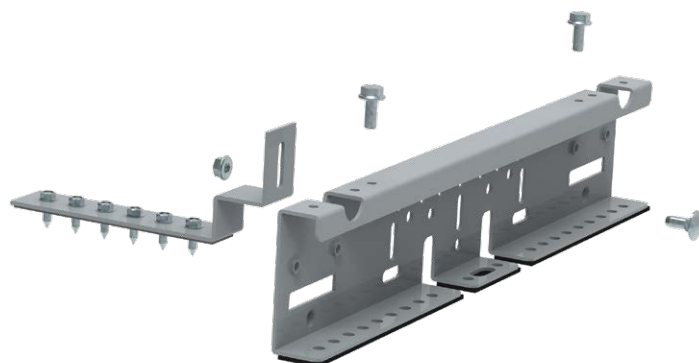
PRICE LIST NO.	PRODUCT NAME	PCS
720	Pisko MultiFast fastener	1
721	Bracket for seam roofs, Pisko MultiFast	1
671	SG Tightening Clamp, Pisko UniSeam	1
580	EPDM sealant strip	1
728	M8x20 carriage bolt DIN 603 A4, HDG	1
729	M8 flange nut without serration, DIN 6923 A2, SS	1
730	M8x20 Flange screw DIN 6921 (for fixing the roof walkway)	2



Part list

MultiFast fastener for steel roofs

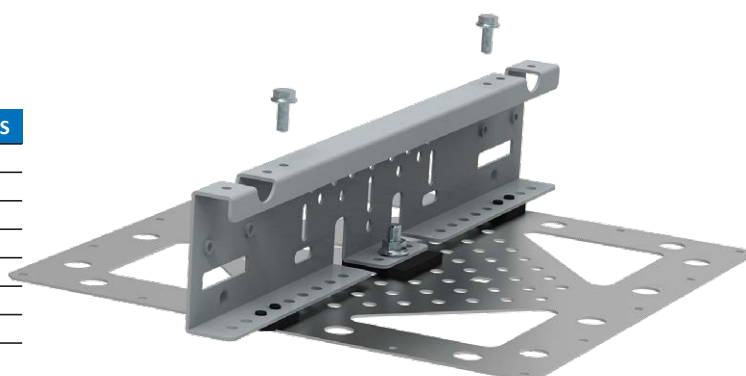
PRICE LIST NO.	PRODUCT NAME	PCS
720	Pisko MultiFast fastener	1
722	Steel roof fixing rod for Pisko MultiFast	1
669	Pisko sheet metal screw 6.3x19, A2 stainless steel	6
580	EPDM sealant strip	1
728	M8x20 carriage bolt DIN 603 A4, HDG	1
729	M8 flange nut without serration, DIN 6923 A2, SS	1
730	M8x20 Flange screw DIN 6921 (for fixing the roof walkway)	2



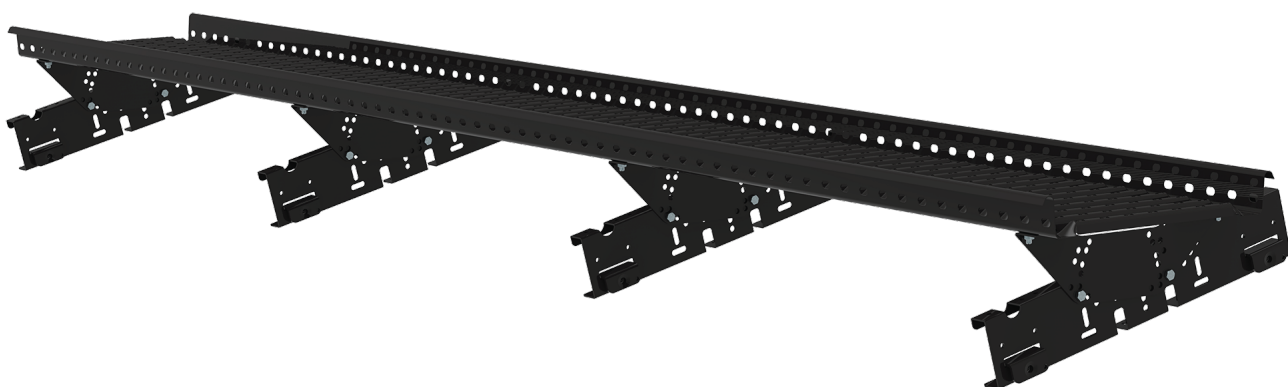
Part list

MultiFast fastener for waterproofing membrane roofs

PRICE LIST NO.	PRODUCT NAME	PCS
720	Pisko MultiFast fastener	1
576	Mounting plate for waterproofing membrane roof	1
662	Mounting Plate Bolt 10x30mm, A2	1
663	M10 Nut DIN6923, A2	1
675	Anchor point sealant, EPDM	1
582	Pisko 2+1 seal / EPDM sealant strip (580)	2
730	M8x20 Flange screw DIN 6921 (for fixing the roof walkway)	2

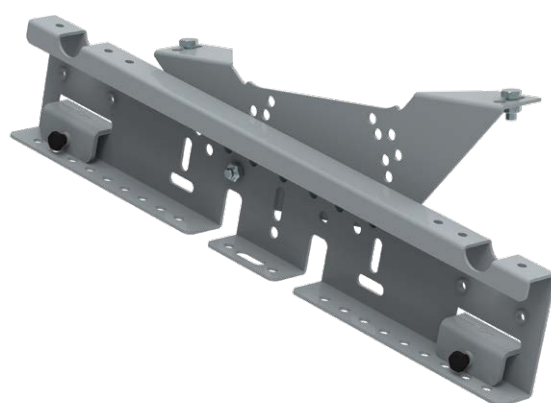


Pisko® MultiFast roof walkway fixing solutions for low slope roofs



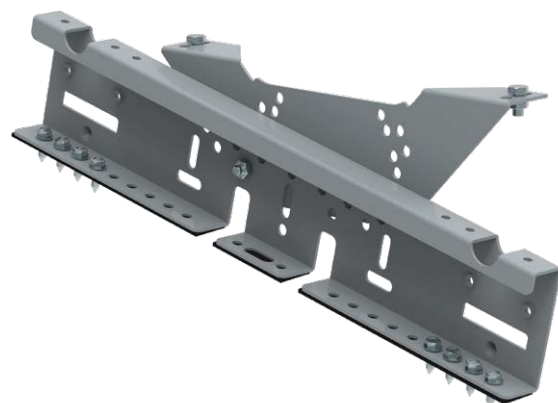
Part list MultiFast fastener for standing seam roofs

PRICE LIST NO.	PRODUCT NAME	PCS
720	Pisko MultiFast fastener	1
671	SG Tightening Clamp, Pisko UniSeam	2
515	Inclination adjustment plate	1
590	Hexagon bolt 8 x 16 mm, hdg DIN 933, HDG	4
592	M8 hexagon nut DIN 934, HDG	4



Part list MultiFast fastener for steel roofs

PRICE LIST NO.	PRODUCT NAME	PCS
720	Pisko MultiFast fastener	1
515	Inclination adjustment plate	1
669	Pisko sheet metal screw 6.3x19, A2 stainless steel	8
580	EPDM sealant strip	1
590	Hexagon bolt 8 x 16 mm, hdg DIN 933, HDG	4
592	M8 hexagon nut DIN 934, HDG	4



Part list MultiFast fastener for waterproofing membrane roofs

PRICE LIST NO.	PRODUCT NAME	PCS
720	Pisko MultiFast fastener	1
515	Inclination adjustment plate	1
576	Mounting plate for waterproofing membrane roof	1
662	Mounting Plate Bolt 10x30mm, A2	1
663	M10 Nut DIN6923, A2	1
675	Anchor point sealant, EPDM	1
582	Pisko 2+1 seal / EPDM sealant strip (580)	2
590	Hexagon bolt 8 x 16 mm, hdg DIN 933, HDG	4
592	M8 hexagon nut DIN 934, HDGy	4

