

VERIFICATION CERTIFICATE

EUFI29-19002814-VA

1 (8)

Eurofins Expert Services Oy has, in accordance with Chapter 3 of the Finnish Act on the Type Approval of Certain Construction Products (954/2012, amended with Act 1262/2014) and the provisions of the decree given by the Finnish Ministry of the Environment on the approval of certain construction products (555/2013, amended with decree 66/2015), granted the following verification certificate.

Piristeel Oy, Metallitie 4, FI-62200 Kauhava

Pisko snow guards

The verified performance levels for meeting the basic requirements are provided in Appendix 2.

The product description is provided in Appendix 3, and the conditions for product use are provided in Appendix 4.

The conformity has been assessed in accordance with the evaluation criteria published by the Finnish Ministry of the Environment and provided in the document "Kattoturvatotteet - Kattopollarit, talotikkaat, lumiesteet ja katon vaakaturvakiskot" (Roof safety products – roof bollards, wall ladders, snow guards, and horizontal roof safety rails). The system used for the evaluation and verification of the permanence of the performance level is 2+.

The construction product and the related package and documents must be equipped with the verification certificate mark concerning this certificate.

The verified product properties must be presented in connection with the mark in accordance with Appendix 5.



This verification certificate has been granted on May 24, 2019 and it is valid until May 24, 2024, at the latest.

The conditions for validity are provided in Appendix 1.

The validity of the certificate can be checked via the www.sertifikaattihaku.fi service.

Espoo 26.2.2021



Tiina Ala-Outinen
Manager, Structures



Katja Vahtikari
Materials, Certification & Inspection

- APPENDICES
1. Conditions for Validity
 2. Verified Basic Requirements for the Product
 3. Product Description Provided by the Manufacturer
 4. Conditions for Product Use
 5. Marking of the Verified Product

Appendix 1: Conditions for Validity

The verification certificate is granted for a fixed period, for no more than five years at a time. If necessary, the approved body may require a periodic review to ensure that the properties of the product correspond with the properties reported by the manufacturer. Products that have been inspected on a consignment-specific basis may only be commissioned after the approved body has issued the verification certificate concerning the consignment in question. (954/2012, section 14)

The verification certificate must be withdrawn if the construction product does not meet the essential technical requirements stipulated in the Finnish Land Use and Building Act or the provisions adopted under it. If the product is included in the scope of application of the CE marking system, the verification certificate expires. (954/2012, section 14)

In addition, the utilization of the verification certificate also requires internal production-related quality control and testing maintained by the manufacturer. The entity responsible for quality control verification verifies the internal quality control by carrying out the related initial inspection, monitoring the quality control continuously, and evaluating and approving the quality control. (954/2012, section 12)

The approved body and entity responsible for quality control verification must inform the manufacturer in writing of any reductions in product quality or safety detected during quality control and demand the manufacturer to modify the construction product within a fixed period to correspond with the verification certificate. (555/1213, section 8)

The approved body that issues verification certificates must withdraw the verification certificate if the importer, manufacturer, or authorized representative does not remedy the deficiencies detected during quality control verification. (954/2012, section 12)

The verification certificate must be withdrawn without delay if the Finnish Safety and Chemicals Agency (Tukes) has prohibited the use of the construction product or ordered the importer, manufacturer, or authorized representative to take measures to remove the product from the market. (954/2012, section 12)

The verification certificate is a public document. A record, which is available via the www.sertifikaattihaku.fi service maintained by Eurofins Expert Services Oy, is kept of the certificates.

. Before the verification certificate can be issued, the manufacturer must report the entity responsible for quality control verification to the approved body.

The holder of the verification certificate is responsible for product quality and continuous quality control. When granting this verification certificate, Eurofins Expert Services Oy does not assume any liability for personal injuries or other damages that are caused by the direct or indirect use of the product related to this verification certificate.

The use of the names “Eurofins Expert Services Oy” or “Eurofins” in any other form in advertisements, as well as the partial distribution of this verification certificate, is only permitted with the written authorization of Eurofins Expert Services Oy.

Appendix 2: Verified Basic Requirements for the Product

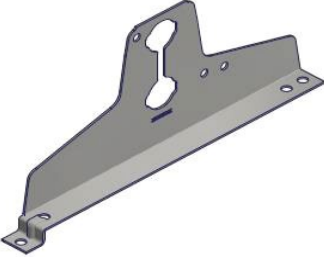
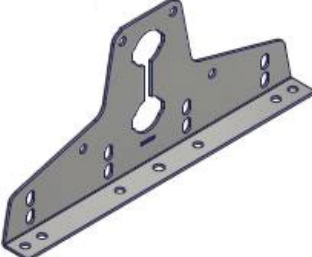
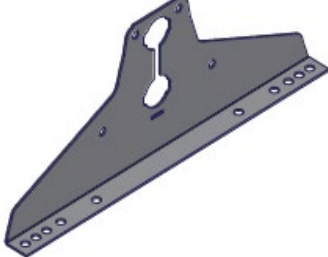
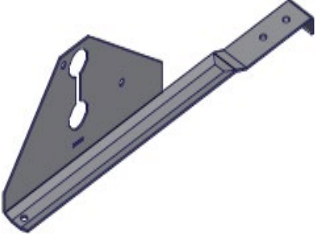
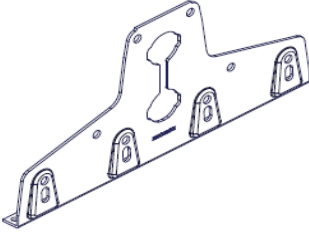
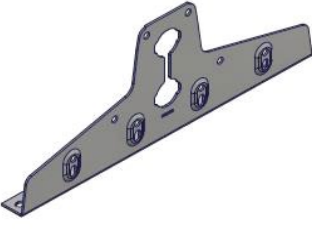
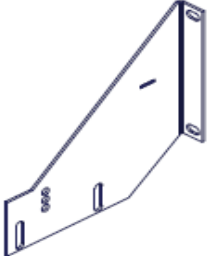
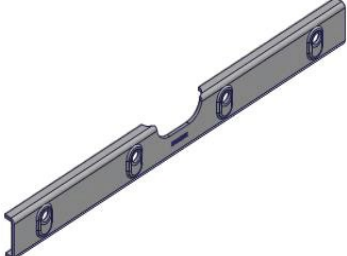
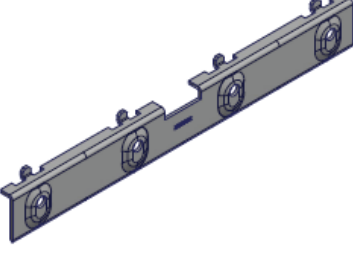
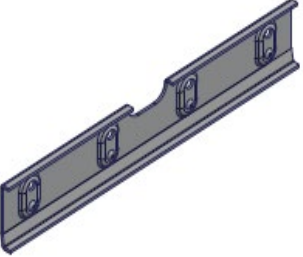

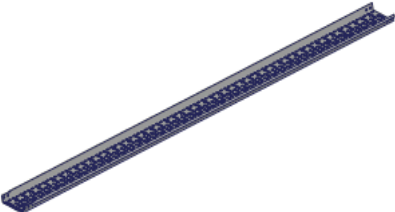
The verified performance levels for meeting the basic product requirements are as described in the table below. As the provided requirements are minimum requirements, it is permissible to use materials with a higher performance level.

Table 2-1. Verified Performance Levels for Meeting the Basic Requirements

1. Minimum height	To be reported
2. Extensions	Locked
3. Static load-bearing capacity	With a 1.5-kN concentrated load and a 5-kN load in the inclination direction of the pitched roof area, the deflection is less than 20 mm and the permanent deflection less than 5 mm.
4. Corrosion resistance	Corrosion resistance class C3 medium

Appendix 3: Product Description Provided by the Manufacturer

A product that is to be installed on the roof and that prevents snow and ice from falling onto the lower pitched roof area, access route area, or recreational area.

 <p>Figure 3-1. LE TKP 350, tile-profile sheet roofs.</p>	 <p>Figure 3-2. LE SK 350, batten mounted.</p>	 <p>Figure 3-3. LE SK 400, batten mounted.</p>
 <p>Figure 3-4. LE TK AP 2-P, tile roofs.</p>	 <p>Figure 3-5. LE RK 335, seamed roofs.</p>	 <p>Figure 3-6. LE RK 425, seamed roofs.</p>
 <p>Figure 3-7. Snow fence fastener plate (LE SK and LE RK)</p>	 <p>Figure 3-8. Striking plate KSK, seamed roofs.</p>	 <p>Figure 3-9. Striking plate RK 25, seamed roofs.</p>
 <p>Figure 3-10. Striking plate RK 38 mm / Classic, seamed roofs.</p>	 <p>Figure 3-11. Snow guard pipe 32 mm 3000 mm, snow guard.</p>	 <p>Figure 3-12. Snow fence-profile, snow guard.</p>

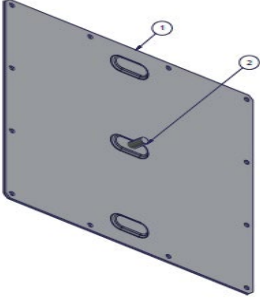
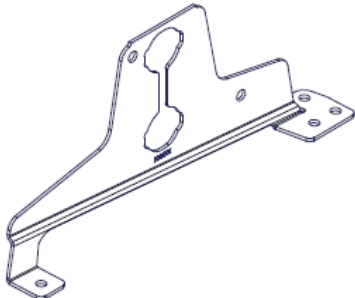
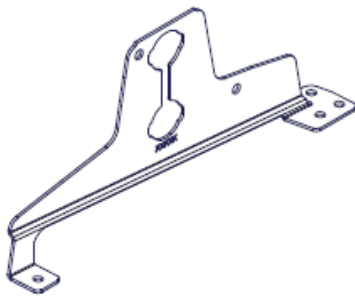
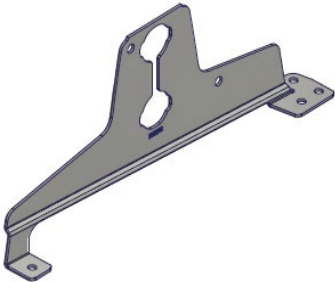
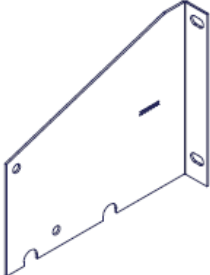
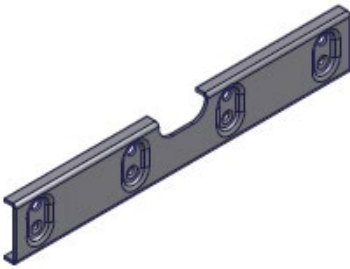
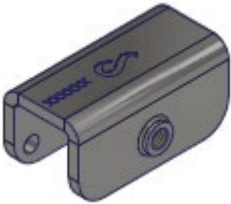
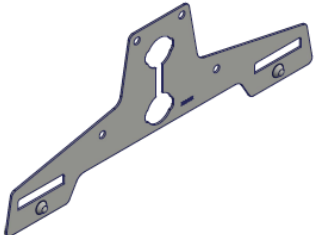
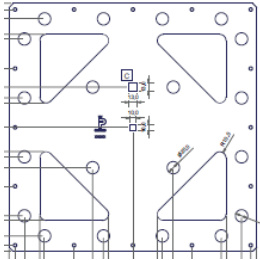
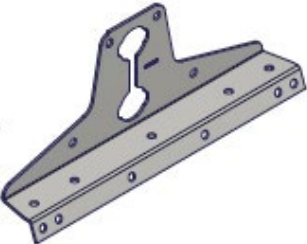
 <p>Figure 3-13. Mounting plate for bitumen roof, 1-bolt, bitumen roofs.</p>	 <p>Figure 3-14. SG Tile sheet roof 350, tile-profile sheet roofs.</p>	 <p>Figure 3-15. SG Ruukki Finnera 330, tile-profile sheet roofs.</p>
 <p>Figure 3-16. SG Ruukki Hyygge 290, tile-profile sheet roofs.</p>	 <p>Figure 3-17. Snow-fence fastener plate, seamed roofs</p>	 <p>Figure 3-18. Striking plate Classic, seamed roofs</p>
 <p>Figure 3-19. SG Tightening Clamp, Pisko UniSeam (671), seamed roofs</p>	 <p>Figure 3-20. SG Fastener, Pisko UniSeam (670), seamed roofs</p>	 <p>Figure 3-21. Mounting plate for waterproofing membrane roof</p>
 <p>Figure 3-22. LE 350 on top of profile, load-bearing profiled sheets</p>		

Table 3-1. The product parts used in the product, material hot-dip galvanized structural steel

No	Product	Category	Figure
1.	LE TKP 350	Tile-profile sheet roofs	3-1
2.	LE SK 350	Batten mounted	3-2
3.	LE SK 400	Batten mounted	3-3
4.	LE TK AP 2-P	Tile roofs	3-4
5.	LE RK 335	Seamed roofs	3-5
6.	LE RK 425	Seamed roofs	3-6
7.	Snow fence fastener plate (LE SK and LE RK)	Seamed roofs	3-7
8.	Striking plate KSK	Seamed roofs	3-8
9.	Striking plate RK 25	Seamed roofs	3-9
10.	Striking plate RK 38 mm	Seamed roofs	3-10
11.	Snow guard pipe 32 mm 3000 mm	Snow guard	3-11
12.	Snow fence-profile	Snow guard	3-12
13.	Mounting plate for bitumen roof, 1-bolt	Bitumen roofs	3-13
14.	SG tile sheet roof 350	Tile-profile sheet roofs	3-14
15.	SG Ruukki Finnera 330	Tile-profile sheet roofs	3-15
16.	SG Ruukki Hyygge 290	Tile-profile sheet roofs	3-16
17.	Snow-fence fastener plate for seamed roofs	Seamed roofs	3-17
18.	Striking plate Classic	Seamed roofs	3-18
19.	SG Tightening Clamp, Pisko UniSeam	Seamed roofs	3-19
20.	SG fastener, Pisko UniSeam	Seamed roofs	3-20
21.	Mounting plate for waterproofing membrane roof	Bitumen roofs	3-21
22.	LE 350 on top of profile	Load-bearing profiled sheet roofs	3-22

Appendix 4: Conditions for Product Use

Design

The snow guards required for the installation site are to be designed in accordance with the following installation, operating, and maintenance instructions provided by the manufacturer:

- Piristeel Oy, Instructions for installation
 - o Instructions for installation and maintenance: Snow guard for bitumen roof, ver. 1.1 / 10.5.2018
 - o Instructions for installation and maintenance: Snow guard for tile roof, ver. 1.1 / 28.5.2018
 - o Instructions for installation and maintenance: Snow guard for tile-profile sheet roof, ver. 1.1 / 28.5.2018
 - o Instructions for installation and maintenance: Snow guard for smooth steel and bitumen roofs, ver. 1.1 / 28.5.2018
 - o Instructions for installation and maintenance: Snow guard for low lock-seam roof, ver. 1.2 / 26.10.2018
 - o Instructions for installation and maintenance: Snow guard for high lock-seam roof, ver. 1.2 / 26.10.2018
 - o Instructions for installation and maintenance: Installation of snow fence with fastener plate, ver. 1.1 / 27.09.2018
 - o Instructions for installation and maintenance: Snow guard for standing seam roof, ver. 1.2 / 26.10.2018
 - o Instructions for installation and maintenance: Snow guard with sg tile sheet roof 350, ver. 1.1 / 3.7.2019
 - o Instructions for installation and maintenance: Snow guard with sg Ruukki Finnera 330, ver. 1.1 / 3.7.2019
 - o Instructions for installation and maintenance: Snow guard with sg Ruukki Hyygge 290, ver. 1.1 / 3.7.2019
 - o Instructions for installation and maintenance: Installation of snow fence with fastener plate, ver. 1.2 / 7.12.2020
 - o Instructions for installation and maintenance: Snow guard for Ruukki Classic steel roof, ver. 1.2 / 2.8.2019
 - o Instructions for installation and maintenance: Snow guard for standing seam roof, Pisko UniSeam, ver. 1.1 / 28.4.2020
 - o Instructions for installation and maintenance: Mounting plate for waterproofing membrane roof, ver. 1.5 / 27.4.2020
 - o Instructions for installation and maintenance: Snow guard for load-bearing profiled sheet over 45 mm of height, ver. 1.1 / 31.10.2019
 - o Instructions for installation and maintenance: Snow guard for bitumen roof with screw fastening, ver. 0.0 / 24.2.2021

The instructions drawn up by the manufacturer and the RT 85-11132 instructions are to be followed in the site-specific design of the snow guards.

Manufacture

The manufacturer's internal production and quality control instructions are to be followed in the different manufacturing stages.

Delivery and On-Site Storage

The following instructions drawn up by the manufacturer are to be followed during the transportation and storage of the products:

- Piristeel Oy, Storage and Transportation Instructions
 - o Storage and Transportation Instructions for Snow-Guard Fasteners, version 1.0/KrN/ May 7, 2019
 - o Storage and Transportation Instructions for Snow-Guard Pipes, version 1.0/KrN/ May 7, 2019
 - o Storage and Transportation Instructions for Snow-Guard Profiles, version 1.0/KrN/ May 7, 2019

Use


The snow guards are for preventing snow and ice falling from the roof. The installation and maintenance of the products are to be carried out in accordance with the RT 85-11132 instructions and the instructions provided by the manufacturer.

Appendix 5: Marking of the Verified Product

The approved body must equip the verification certificate with a mark that can be used for distinguishing the verification certificate from other voluntary certificates granted by the approved body. The manufacturer must equip the construction product and the related package and documents (555/2013, section 7) with the mark.

The snow guards are to be marked with a verification mark similar to the one in the image. The numerical identifier that will be included in the mark is presented at the top of this verification certificate. The verification certificate mark will be delivered to the client in a separate file.

Installation and maintenance instructions, as well as the verification certificate, are to be delivered in connection with the product.

	<p>Piristeel Oy Metallitie 4 FI-62200 Kauhava</p>
<p>Product</p>	<p>Pisko snow guards</p>
<p>Intended Purpose</p>	<p>A roof safety product – The snow guards are used for preventing snow and ice falling from the roof.</p>
<p>Performance levels</p>	<p>Evaluation criteria-related requirements for the snow guards:</p> <ul style="list-style-type: none"> - Minimum height - Extensions - Static load-bearing capacity - Corrosion resistance

This is a translation of the original document.