

Pisko roof walkway for low slope waterproofing membrane roof with Pisko MultiFast fastener, roof pitch 0° - 14°

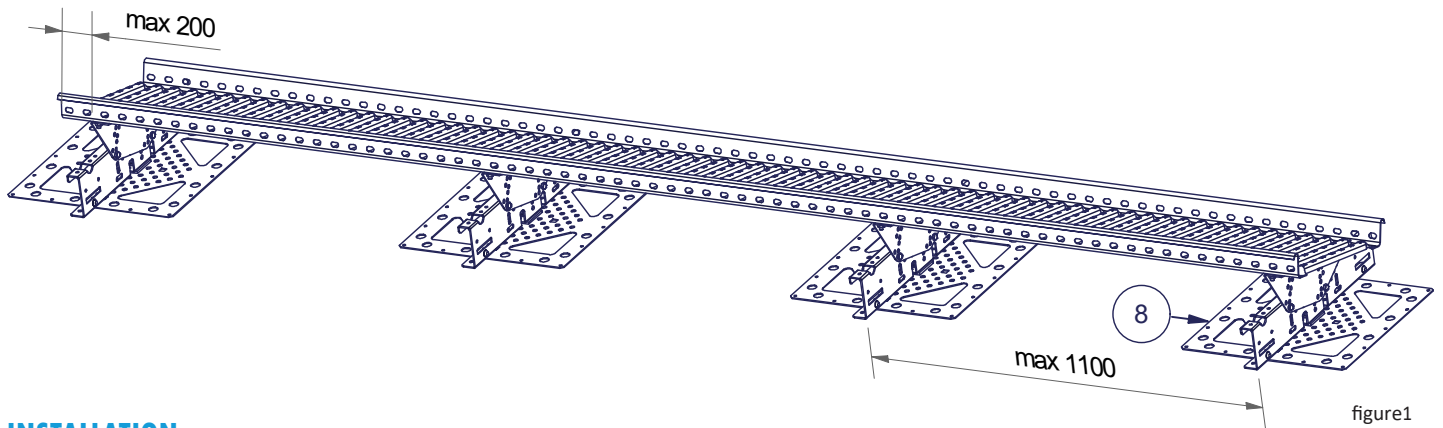


figure1

INSTALLATION

Roof walkway is installed on the waterproofing membrane roof with Pisko MultiFast fastener (9) and inclination adjustment plate (6).

Install the mounting plate for waterproofing membrane roof (8) according to the mounting plate installation instruction as required by the waterproofing membrane in question. Place EPDM sealant strip (1) or alternatively Pisko 2+1 sealants (2/fastener) onto the bottom of the Pisko MultiFast fastener (figure 2).

Inclination adjustment plates (6) are attached to the MultiFast fasteners with two M8x16 mm hexagon bolts and M8 hexagon nuts. Inclination adjustment plate is used to adjust the roof walkway horizontally (0° - 14°). Attach the roof walkway to the inclination adjustment plate by using two M8x16 hexagon bolts and M8 hexagon nuts (figure 2).

Extend the roof walkways with a lap joint by installing a pair of cross-pools one on the other and by tightening the joint securely through the bottom at both edges with two 8x16 mm hexagon bolts and M8 hexagon nuts (figure 3).

The maximum installation distance of the fasteners is 1100 mm and the maximum overhang of the roof walkway from the outermost fastener is 200 mm (figure 1). Roof walkway must always be installed with at least three fasteners.

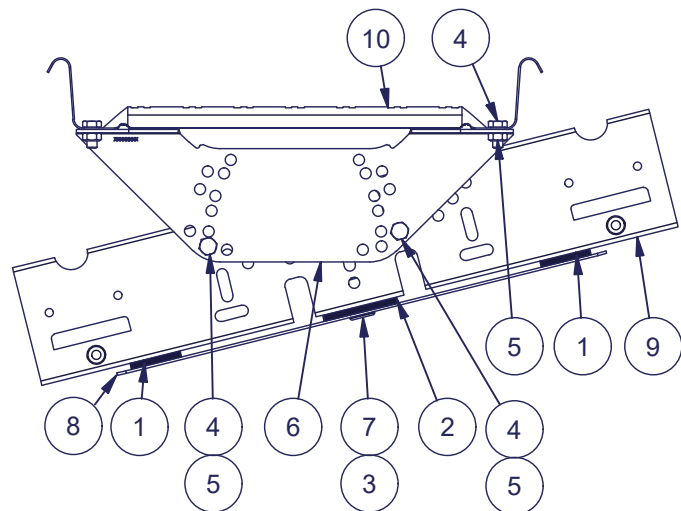


figure 2

Part	Description
1	EPDM sealant strip
2	Anchor point sealant EPDM
3	M8 flange nut without serration DIN 6923 A2
4	Hexagon bolt DIN 933 - M8x16 HDG
5	Hexagon bolt DIN 934 - M8 HDG
6	Inclination adjustment plate
7	Mounting plate bolt 10x30mm, A2
8	Mounting plate for waterproofing membrane roof
9	Pisko MultiFast fastener
10	Pisko roof walkway

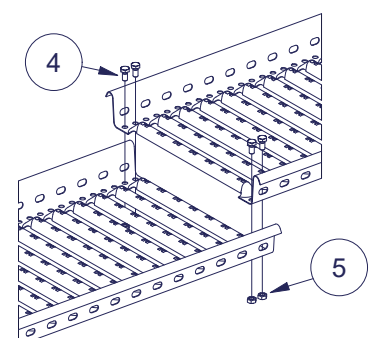


figure 3

USE

A roof walkway must be used when the roof inclination is more than 1:8. If the height of the building is more than 9 meters, safety rope fixing structures must be provided (Finnish Ministry of the Environment, Decree on the safe use of buildings on January 1, 2018). Standard EN 516 provides two installation options for roof walkways: class 1 and class 2. Using personal fall protection equipment, a person is only allowed to attach themselves to a roof walkway, which is installed in accordance with class 2. Pisko roof walkway has been dimensioned against 1,5 kN (~150 kg) concentrated load (load from the user).

The Pisko roof walkway for low slope standing seam roofs with Pisko MultiFast fastener is manufactured in compliance with EN 516 and it has passed the static and dynamic tests specified in the relevant standard for class 2. An appropriate safety rope can be fixed to a roof walkway, which is installed in accordance with class 2. The safety rope must be intended to be used as a personal safety rope and it must conform to relevant standards such as e.g. EN 353-2 and should be equipped with a shock absorber (EN 355). A Pisko SafeLine wire system's glider, a horizontal carriage that moves along the Pisko safety rail or, alternatively, a rope fastener is used as a safety-rope attachment point with Pisko roof walkways (see the separate installation instructions for these products). Moreover, the following must be taken into consideration when using a safety rope:

- Only safety ropes (e.g. EN 353-2) or retractable lanyards (EN 360) that are meant to be used as a personal fall protection equipment should be used
- Only one person at a time, with a total weight of max. 150 kg, including the equipment, is allowed to fix a safety rope to a safety rope anchoring point.
- The distance between attachment points must be at least four (4) meters if more than one user is attached to the same roof walkway or horizontal safety rail.
- More than one person can be attached simultaneously to the Pisko SafeLine that is installed on a roof walkway, provided that there is at least two wire holder brackets in between the users. More information on Pisko SafeLine installation instructions.
- The safety rope may only be used towards the eave on the pitched roof area where the roof walkway is installed.

MAINTENANCE

Pisko products are hard-wearing and safe to use, guaranteed by the ongoing quality control and development work by Piristeel Ltd, as well as correct installation of the products according to the manufacturer's instructions. To ensure the reliability and safety of the products, the property owner must carry out yearly inspection and maintenance procedures, and monitor that the snow load specified by the regulations is not exceeded. NOTE! Roof walkway installed as access way is not intended to be used as snow guards. Heavy snow loads can permanently damage the walkway and its fastening system. If necessary, the roof walkway should be protected from snow loads with snow guards and snow loads should be removed from the roof walkway in good time.

To ensure the consistency of the performance of the products, the property owner must have all roof safety products, that have been installed and used according to class 2, and personal safety equipment inspected by a professional authorized by the manufacturer.

Yearly maintenance inspection checklist for Pisko products:

- Check the tightness of joints, connections and attachments.
- Check the roof attachments (fixings).
- Ensure any excessive snow load is cleared to minimize the strain on structures and attachment points (as necessary; there might be a need several times during the winter).
- As necessary, clear the roof walkways of snow and ice.
- Check the paintwork and zinc coating of the products; repair faults and touch up paintwork if necessary
- Replace or repair any damaged or faulty parts as soon as possible.

Piristeel Oy Metallitie 4, 62200 Kauhava Finland 21
EN 516 Pisko roof walkway for low inclination waterproofing membrane roof with Pisko MultiFast bracket 1377 Type B Mechanical strength: Class 1 and Class 2 Reaction to fire: Class A1 Durability: Z275 + powder coating 80 µm External fire performance: DTS

This product has been installed by

COMPANY

INSTALLER

According to class 1:

According to class 2: