

Pisko roof walkway as access way parallel to the slope on seam roof with Pisko MultiFast fastener

Maximum slope 12°

INSTALLATION

Roof walkway must be attached to the structures of the roof at the top and bottom ends (maximum distance between brackets for seam roofs (3) is 5000 mm).

Roof walkway must be supported to the roof surface with Pisko MultiFast fasteners, spaced max 1400 mm apart. The maximum overhang of the roof walkway from the outermost fastener is 200 mm (figure 8).

Place EPDM sealant strip or alternatively Pisko 2+1 sealants (1) (2/fastener) to the bottom of the Pisko MultiFast fastener (2). Attach MultiFast fasteners to roof walkway with M8 flange nut (9). MultiFast fastener is installed on the seam of the roof using bracket for seam roofs (3) and SG tightening clamp (7) (figure 7). Slide the tightening clamp into the hole in the bracket. On snap-lock standing seam roof the bolt side of the tightening clamp is placed on the intact side of the seam (figure 2) and on mechanically seamed metal roof it is placed on the folded side of the seam (figure 3).

NOTE! The bolt of tightening clamp must always be against the fastener, NOT against the seam (figure 5).

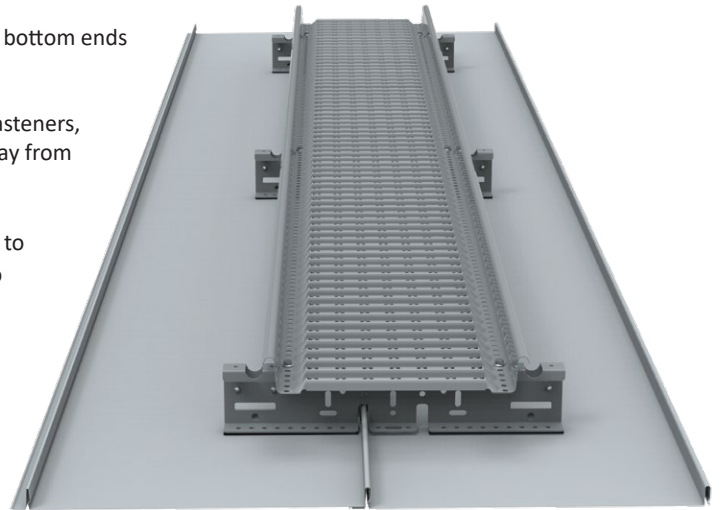


figure 1

Roof seam is inserted into one of the two mounting holes on the MultiFast fastener. Bracket for seam roofs is installed on the ridge side of the MultiFast fastener and these are secured together with M8x20 carriage bolt (8) and M8 flange nut (4)(figure 7). Tighten the M8 bolt in the tightening clamp to 18 Nm, allowing the tightening clamp to spread out a bit, in order to create a tight long-lasting connection (figure 4).

Extend the roof walkways with a lap joint by installing a pair of cross-pieces one on the other and by tightening the joint securely through the bottom at both edges with two 8x16 mm hexagon bolts and M8 hexagon nuts (figure 6).

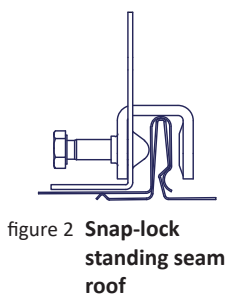


figure 2 **Snap-lock standing seam roof**

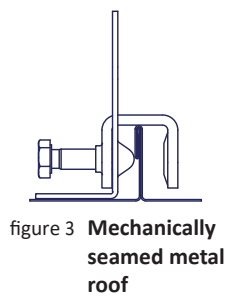


figure 3 **Mechanically seamed metal roof**

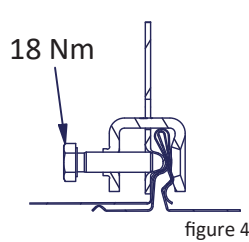


figure 4

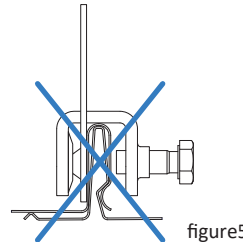


figure 5

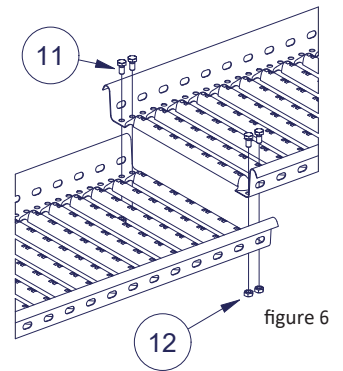


figure 6

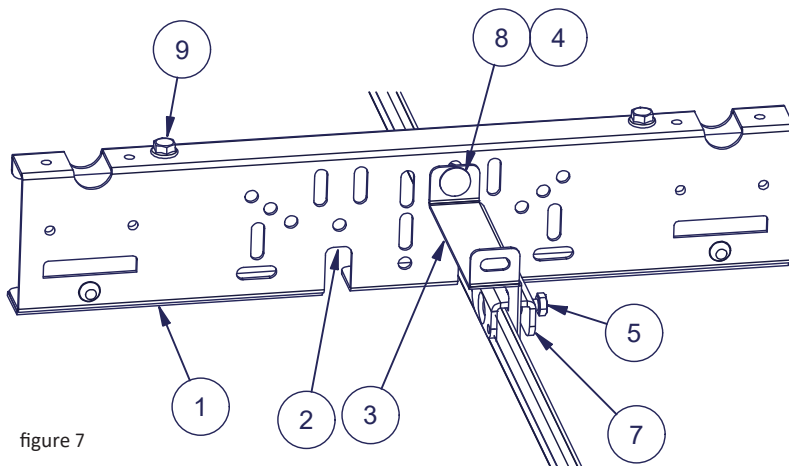


figure 7

Part	Description
1	EPDM sealant strip
2	Pisko MultiFast fastener
3	Bracket for seam roofs, Pisko MultiFast
4	M8 flange nut without serration DIN 6923 A2
5	Hexagon bolt DIN 933 - M8x30 HDG
6	Pisko roof walkway
7	SG Tightening clamp, Pisko UniSeam (671)
8	M8x20 carriage bolt DIN 603 A4, HDG
9	Flange screw DIN 6921 - M8x20 HDG
11	Hexagon bolt DIN 933 - M8x16 HDG
12	Hexagon nut DIN 934 - M8 HDG

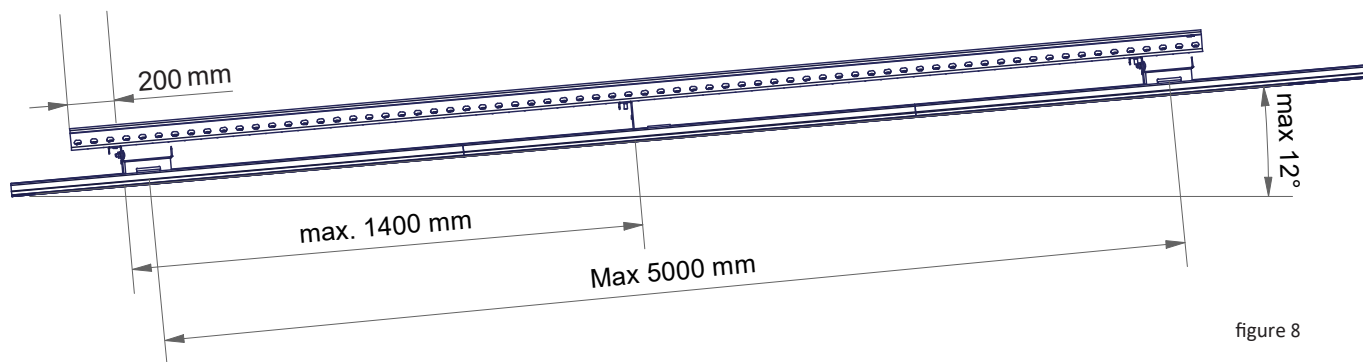


figure 8

SAFETY ROPE ANCHORING POINTS

When roof walkway is used as an access way parallel to the roof slope, personal fall protection equipment must only be attached to the roof walkway using Pisko rope fastener (10), or Pisko SafeLine wire system. Pisko SafeLine is installed according to Pisko SafeLine installation on a walkway.

The rope fastener may only be attached next to the MultiFast fasteners as follows (figure 9):

- Rope fastener is on the eaves side of the MultiFast fastener
- Rope fastener is attached through its top fixing hole both to the roof walkway and to the MultiFast fastener with M8x30 hexagon bolt and M8 hexagon nut
- Rope fastener is fixed from its other holes (3) with M8x16 hexagon bolts and M8 hexagon nuts

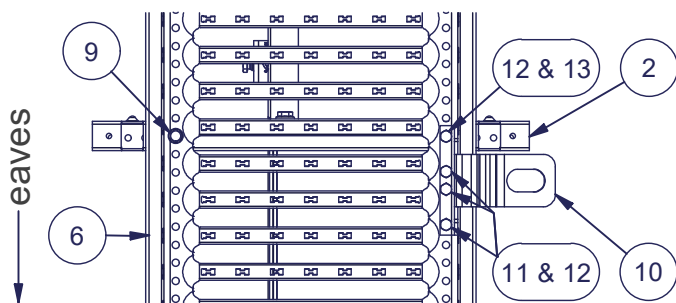


figure 9

Part	Description
2	Pisko MultiFast fastener
6	Pisko roof walkway
9	Flange screw DIN 6921 - M8x20 HDG
10	Pisko rope fastener
11	Hexagon bolt DIN 933 - M8x16 HDG
12	Hexagon nut DIN 934 - M8 HDG
13	Hexagon bolt DIN 933 - M8x30 HDG

USE

A roof walkway must be used when the roof inclination is more than 1:8. If the height of the building is more than 9 meters, safety rope fixing structures must be provided (Finnish Ministry of the Environment, Decree on the safe use of buildings on January 1, 2018). Standard EN 516 provides two installation options for roof walkways: class 1 and class 2. Using personal fall protection equipment, a person is only allowed to attach themselves to a roof walkway, which is installed in accordance with class 2. Pisko roof walkway has been dimensioned against 1,5 kN (~150 kg) concentrated load (load from the user).

The Pisko roof walkway installed parallel to the slope on seam roof with Pisko MultiFast fastener is manufactured in compliance with EN 516 and it has passed the static and dynamic tests specified in the relevant standard for class 2. An appropriate safety rope can be fixed to a roof walkway, which is installed in accordance with class 2. The safety rope must be intended to be used as a personal safety rope and it must conform to relevant standards such as e.g. EN 353-2 and should be equipped with a shock absorber (EN 355). On Pisko roof walkways installed as access ways parallel to the slope, a rope fastener or Pisko SafeLine wire system is used as a safety-rope attachment point. Moreover, the following must be taken into consideration when using a safety rope:

- Only safety ropes (e.g. EN 353-2) or retractable lanyards (EN 360) that are meant to be used as a personal fall protection equipment should be used
- Only one person at a time, with a total weight of max. 150 kg, including the equipment, is allowed to fix a safety rope to the horizontal carriage/rope fastener.
- The distance between rope fasteners must be at least four (4) meters if more than one user is attached to the same coherent set of roof walkways.
- More than one person can be attached simultaneously to the Pisko SafeLine that is installed on a roof walkway, provided that there is at least two wire holder brackets in between the users. More information on Pisko SafeLine installation instructions.

MAINTENANCE

Pisko products are hard-wearing and safe to use, guaranteed by the ongoing quality control and development work by Piristee Ltd, as well as correct installation of the products according to the manufacturer's instructions. To ensure the reliability and safety of the products, the property owner must carry out yearly inspection and maintenance procedures, and monitor that the snow load specified by the regulations is not exceeded. NOTE! Roof walkway installed as access way is not intended to be used as snow guards. Heavy snow loads can permanently damage the walkway and its fastening system. If necessary, the roof walkway should be protected from snow loads with snow guards and snow loads should be removed from the roof walkway in good time.

To ensure the consistency of the performance of the products, the property owner must have all roof safety products, that have been installed and used according to class 2, and personal safety equipment inspected by a professional authorized by the manufacturer.

Yearly maintenance inspection checklist for Pisko products:

- Check the tightness of joints, connections and attachments.
- Check the roof attachments (fixings).
- Ensure any excessive snow load is cleared to minimize the strain on structures and attachment points (as necessary; there might be a need several times during the winter).
- As necessary, clear the roof walkways of snow and ice.
- Check the paintwork and zinc coating of the products; repair faults and touch up paintwork if necessary
- Replace or repair any damaged or faulty parts as soon as possible.

Piristee Oy Metallitie 4, 62200 Kauhava Finland 21
EN 516 Pisko roof walkway for seam roofs with Pisko MultiFast fastener walkway installed along the pitch 1373 Type B Mechanical strength: Class 1 and Class 2 Reaction to fire: Class A1 Durability: Z275 + powder coating 80 µm External fire performance: DTS

This product has been installed by

COMPANY

INSTALLER

According to class 1:

According to class 2: