

Pisko SafeGrip ladder for tile roof with Pisko MultiFast fastener Fixing to full under boarding

INSTALLATION

Roof ladders must be attached to the structures of the roof, at the top and bottom ends of the ladder. Due to the snow load, it is recommended to attach several fasteners to the structures of the roof. If the ladder is to be extended, the extension must be attached to the top end of the ladder. Secure the joint with M8x40 hexagon bolt and M8 hexagon nut.

Roof ladders are mounted to the under boarding (min. 17 mm) by using the fixing rods (3 and 4). Fix these parts loosely together by using M8 square neck bolt and M8 flange nuts. Start with a loose fixing of the products. The bottom fixing rod (3) shall be fixed with at least 5 Pisko roof safety screws (7) to the under boarding (figure 2). The maximum distance between the rods is 5000 mm (figure 5).

The top fixing rod (4) must be guided to the bottom groove of the tile. Tighten the fixing between the rods after the products fit well on the tile.

Place an adhesive sealant (1) or alternatively Pisko 2+1 sealants (3 pcs per bracket) to the bottom of the Pisko MultiFast fastener (5) and attach them to the ladder frame with Pisko MultiFast stile brackets (2) by using 4 pcs of M8x16 screws per bracket (figure 3). Start with a loose fixing of the screws. The maximum support c/c is 1400 mm (figure 5). The top and bottom MultiFast fasteners of the ladder should be fixed with stile brackets (2). Fasteners in between can be fixed to the ladder with Pisko MultiFast stile bracket, easyfix (11)(figure 4). Place the ladder on the roof and fix the Pisko MultiFast fasteners (5) to the top fixing rods (4) coming from the roof by using M8 square neck bolt and M8 flange nut 8 (figure 2). Lastly, tighten all the connections firmly.

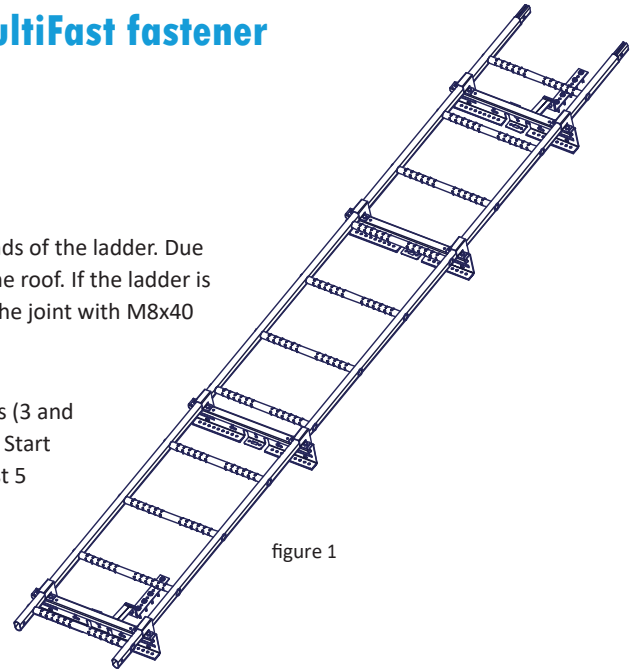


figure 1

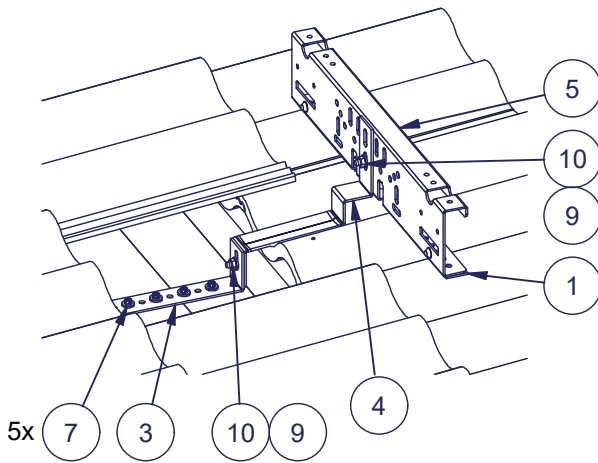


figure 2

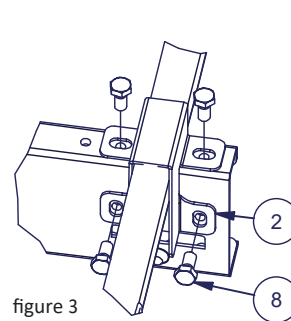


figure 3

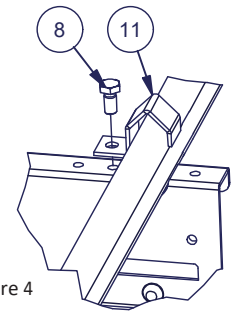


figure 4

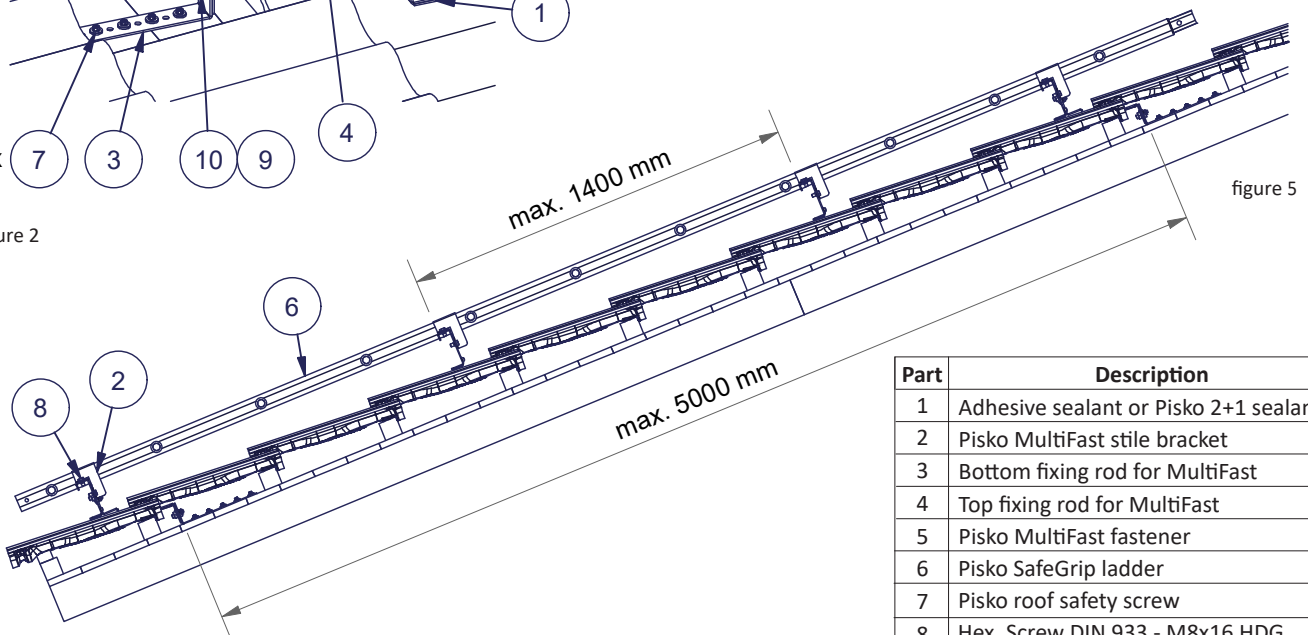


figure 5

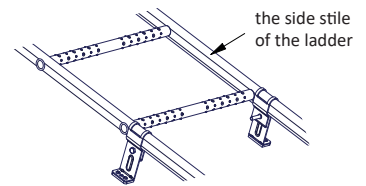
Part	Description
1	Adhesive sealant or Pisko 2+1 sealant
2	Pisko MultiFast stile bracket
3	Bottom fixing rod for MultiFast
4	Top fixing rod for MultiFast
5	Pisko MultiFast fastener
6	Pisko SafeGrip ladder
7	Pisko roof safety screw
8	Hex. Screw DIN 933 - M8x16 HDG
9	Square neck bolt DIN 603 - M8x20 HDG
10	Flange nut DIN 6923 - M8 HDG
11	Pisko MultiFast stile bracket, easyfix

USE

Roof ladder must be used when the roof inclination is more than 1:8. If the height of the building is more than 9 meters, safety rope fixing structures must be provided (Ministry of the Environment Decree on the safe use of buildings on January 1, 2018). Standard EN 12951 provides two installation options for roof ladders: class 1 and class 2. Using personal fall protection equipment, a person is only allowed to attach themselves to a roof ladder, which is installed in accordance with class 2. Pisko SafeGrip roof ladder has been dimensioned against 1,5 kN (~150 kg) concentrated load (load from the user).

The Pisko SafeGrip roof ladder for tile roof with Pisko MultiFast fastener conforms to standard EN 12951, having undergone static and dynamic tests per class 2. An appropriate safety rope can be fixed to a roof ladder, which is installed in accordance with class 2. The safety rope must be intended to be used as a personal safety rope and it must conform to relevant standards such as e.g. EN 353-2 and should be equipped with a shock absorber (EN 355). Moreover, the following must be taken into consideration when using a safety rope:

- Only safety ropes (e.g. EN 353-2) or retractable lanyards (EN 360) that are meant to be used as a personal fall protection equipment should be used
- The recommended safety rope fixing point is the side stile of the ladder
- Only one person at a time, with a total weight of max. 100 kg, including the equipment, is allowed to fix a safety rope to the roof ladder.
- The safety rope must be fixed to the roof ladder only in the space between the roof ladder fasteners, that connect the ladder to the roof structure.
- The safety rope shall never be fixed to the support foots of the ladder
- The safety rope may only be used towards the eave on the pitched roof area where the roof ladder is installed.



MAINTENANCE

Pisko products are hard-wearing and safe to use, guaranteed by the ongoing quality control and development work by Piristeel Ltd, as well as correct installation of the products according to the manufacturer's instructions. To ensure the reliability and safety of the products, the property owner must carry out yearly inspection and maintenance procedures, and monitor that the snow load specified by the regulations is not exceeded.

The property owner must have all roof safety products, that have been installed and used according to class 2, and personal safety equipment inspected by a professional authorized by the manufacturer.

Yearly maintenance inspection checklist for Pisko products:

- Check the tightness of joints, connections and attachments.
- Check the roof attachments (fixings).
- Ensure any excessive snow load is cleared to minimize the strain on structures and attachment points (as necessary; there might be a need several times during the winter).
- As necessary, clear the roof ladders of snow and ice.
- Check the paintwork and zinc coating of the products; repair faults and touch up paintwork if necessary
- Replace or repair any damaged or faulty parts as soon as possible.

CE
Piristeel Oy Metallitie 4, 62200 Kauhava Finland 21
EN 12951 Pisko SafeGrip roof ladder for tile roof with Pisko MultiFast fixed to the bottom boarding 1372 TB Mechanical strength: Class 1 and Class 2 Reaction to fire: Class A1 Durability: Z275 + powder coating 80 µm External fire performance: DTS

This product has been installed by

COMPANY

INSTALLER

- According to class 1:
- According to class 2: