

Pisko SafeGrip roof ladder for steel roof with Pisko MultiFast fastener

INSTALLATION

Roof ladders must be attached to the structures of the roof at the top and bottom ends of the ladder (distance between the MultiFast fasteners (3) steel roof fixing rods (9) maximum 5000 mm). Roof ladder should be supported to the surface of the roof with Pisko MultiFast fasteners (3), maximum distance between fasteners 1400 mm (figure 6). Steel roof sheet's minimum thickness on 0,5 mm.

If the ladder is to be extended, the extension must be attached to the top end of the ladder. Secure the joint with M8x40 hexagon bolt and M8 hexagon nut.

Place EPDM sealant strip (1) to the bottom of the Pisko MultiFast fastener (3) and attach them loosely to the ladder with Pisko MultiFast stile brackets (4) (4 x M8x16 / fastener). Maximum distance between fasteners is 1400 mm (figure 4). The top and bottom MultiFast fasteners of the ladder should be fixed with stile brackets (4). Brackets in between can be fixed to the ladder with Pisko MultiFast stile bracket, easyfix (10) (figure 5). Place EPDM sealant strip to the bottom of the steel roof fixing rods and loosely attach the fixing rods to the MultiFast fasteners (at least to the bottom and top fasteners (max. distance 5000 mm)) with M8x20 carriage bolt and M8 flange nut (figures 2 and 3). Place ladder on the roof. Fixing rod is attached to the ridge of the profile with six Pisko sheet metal screws of stainless steel (do not tighten too much) (figure 3). Lastly, tighten all the connections firmly.

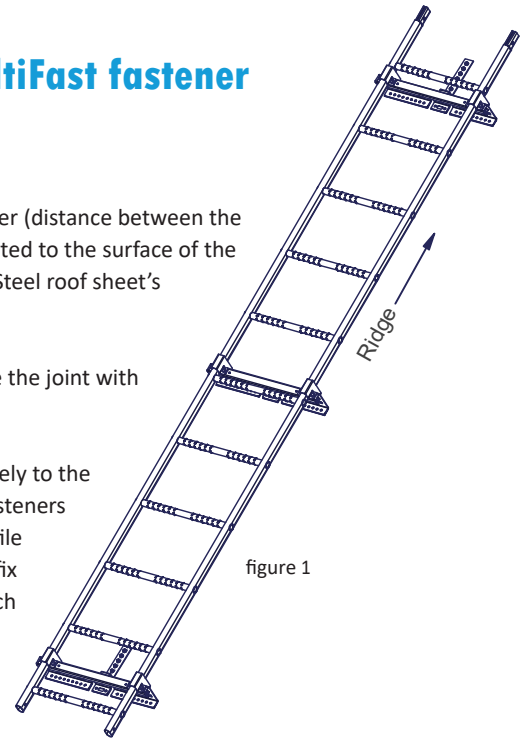


figure 1

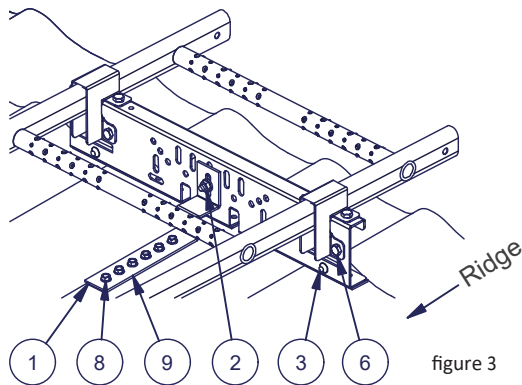


figure 3

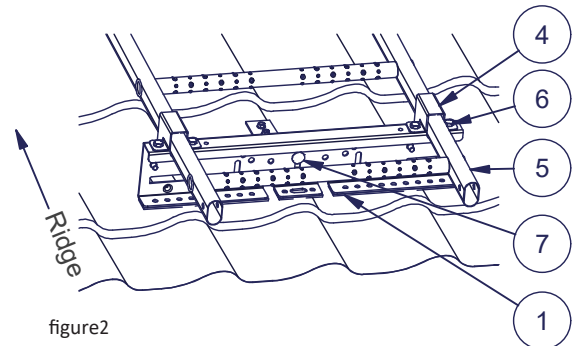


figure 2

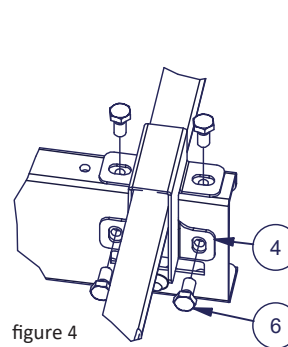


figure 4

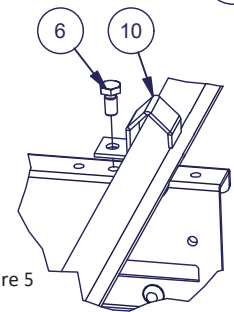


figure 5

Part	Description
1	EPDM sealant strip
2	M8 flange nut without serration DIN 6923 A2
3	Pisko MultiFast fastener
4	Pisko MultiFast stile bracket
5	Pisko SafeGrip ladder
6	Hexagon bolt DIN 933 - M8x16 HDG
7	M8x20 carriage bolt DIN 603 A4, HDG
8	Pisko sheet metal screw 6,3x22 RST
9	Steel roof fixing rod for Pisko MultiFast
10	Pisko MultiFast stile bracket, easyfix

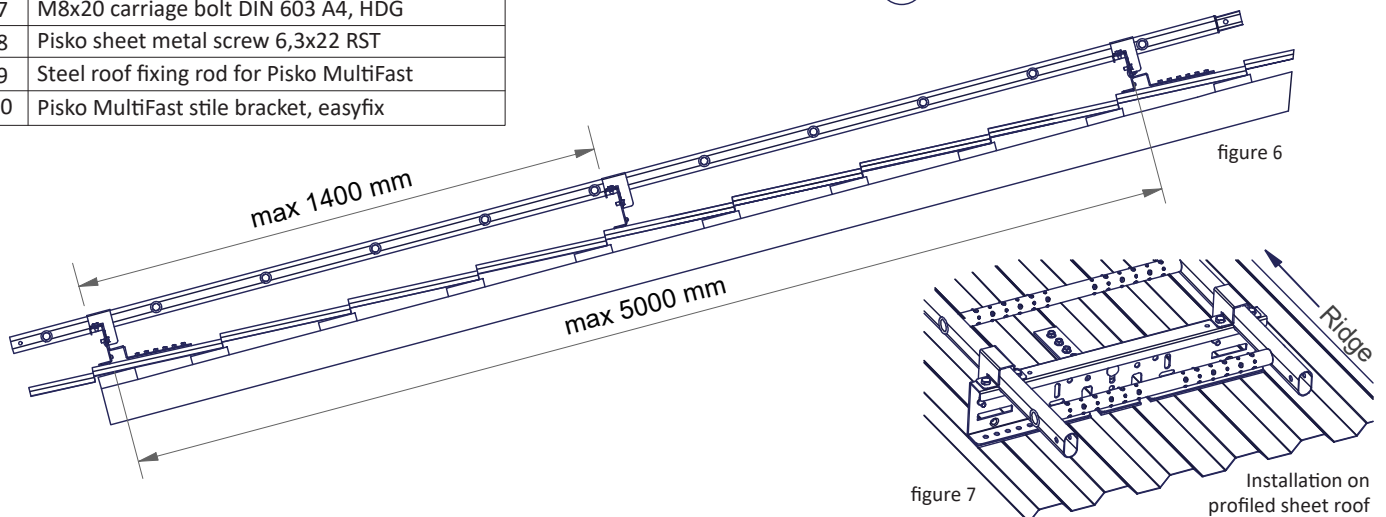


figure 7

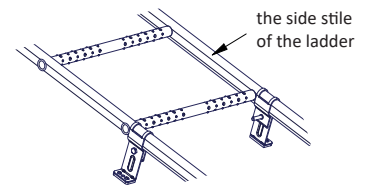
Installation on profiled sheet roof

USE

Roof ladder must be used when the roof inclination is more than 1:8. If the height of the building is more than 9 meters, safety rope fixing structures must be provided (Ministry of the Environment Decree on the safe use of buildings on January 1, 2018). Standard EN 12951 provides two installation options for roof ladders: class 1 and class 2. Using personal fall protection equipment, a person is only allowed to attach themselves to a roof ladder, which is installed in accordance with class 2. Pisko SafeGrip roof ladder has been dimensioned against 1,5 kN (~150 kg) concentrated load (load from the user).

The Pisko SafeGrip roof ladder for steel roof with Pisko MultiFast fastener conforms to standard EN 12951, having undergone static and dynamic tests per class 2. An appropriate safety rope can be fixed to a roof ladder, which is installed in accordance with class 2. The safety rope must be intended to be used as a personal safety rope and it must conform to relevant standards such as e.g. EN 353-2 and should be equipped with a shock absorber (EN 355). Moreover, the following must be taken into consideration when using a safety rope:

- Only safety ropes (e.g. EN 353-2) or retractable lanyards (EN 360) that are meant to be used as a personal fall protection equipment should be used
- The recommended safety rope fixing point is the side stile of the ladder
- Only one person at a time, with a total weight of max. 100 kg, including the equipment, is allowed to fix a safety rope to the roof ladder.
- The safety rope must be fixed to the roof ladder only in the space between the roof ladder fasteners, that connect the ladder to the roof structure.
- The safety rope shall never be fixed to the support foots of the ladder
- The safety rope may only be used towards the eave on the pitched roof area where the roof ladder is installed.



MAINTENANCE

Pisko products are hard-wearing and safe to use, guaranteed by the ongoing quality control and development work by Piristee Ltd, as well as correct installation of the products according to the manufacturer's instructions. To ensure the reliability and safety of the products, the property owner must carry out yearly inspection and maintenance procedures, and monitor that the snow load specified by the regulations is not exceeded.

The property owner must have all roof safety products, that have been installed and used according to class 2, and personal safety equipment inspected by a professional authorized by the manufacturer.

Yearly maintenance inspection checklist for Pisko products:

- Check the tightness of joints, connections and attachments.
- Check the roof attachments (fixings).
- Ensure any excessive snow load is cleared to minimize the strain on structures and attachment points (as necessary; there might be a need several times during the winter).
- As necessary, clear the roof ladders of snow and ice.
- Check the paintwork and zinc coating of the products; repair faults and touch up paintwork if necessary
- Replace or repair any damaged or faulty parts as soon as possible.

CE
Piristee Oy Metallitie 4, 62200 Kauhava Finland 21
EN 12951 Pisko SafeGrip ladder for steel roofs with Pisko MultiFast bracket 1376 TB Mechanical strength: Class 1 and Class 2 Reaction to fire: Class A1 Durability: Z275 + powder coating 80 µm External fire performance: DTS

This product has been installed by

- According to class 1:
- According to class 2:

COMPANY

INSTALLER