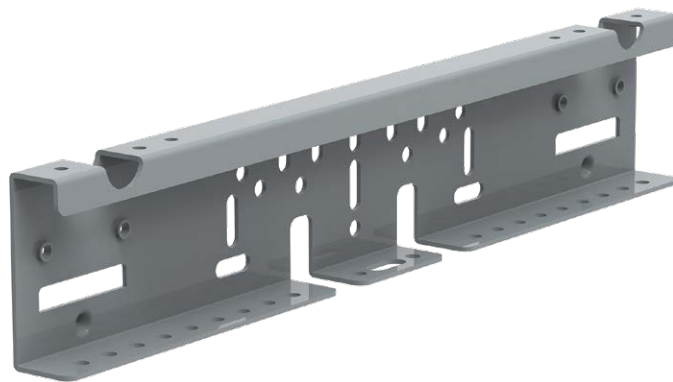


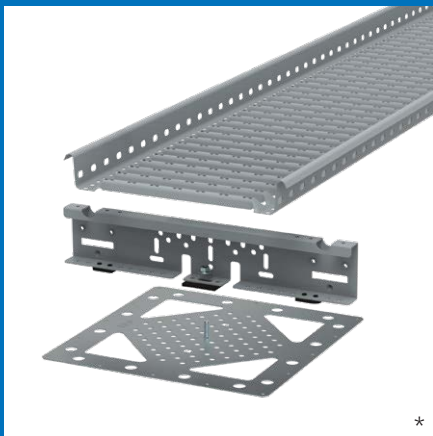
Pisko® MultiFast fastening solution

Pisko MultiFast fastening solution has been designed based on customer needs, for secure and safe fastening of access ways, especially on low slope roofs. It can be used to install roof walkways on low slope roofs parallel to the slope, thus making uniform and appropriate access ways to areas on the roof requiring maintenance. In addition, MultiFast fastening solution can be used to install roof ladders on almost any roof. Comprehensively type-tested and versatile solution reduces the number of special products, thus speeding up project delivery.

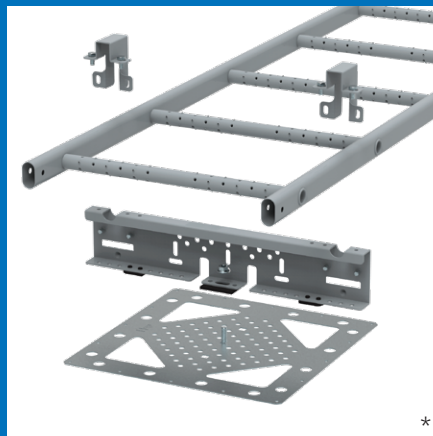


MultiFast

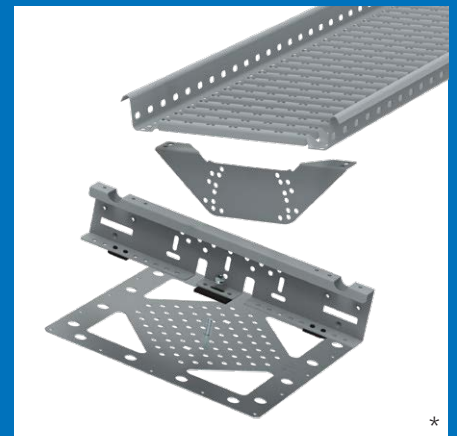
Pisko MultiFast fastening solution is suitable for roof walkways and roof ladders



Access way parallel to the slope *



Roof ladder *



Roof walkway *

Roof walkway as access way parallel to the slope

- As a roof ladder for low slope roofs
- Low slope steel roofs (profiled sheets)
- Low slope waterproofing membrane roofs
- Low slope standing seam roofs

Application for roof ladder

- Steel roofs
- Tile roofs
- Waterproofing membrane roofs
- Standing seam roofs

Application for roof walkway for low slope roof

- Low slope roofs
- Low slope waterproofing membrane roofs
- Low slope standing seam roofs

*In the pictures, solution for waterproofing membrane roofs

Solution for low slope roofs. Also suitable for installing roof ladders on steep roofs.

Pisko MultiFast is type-tested on wide range of roofing materials. Roof walkway can be installed on low slope roof both parallel to the slope and normal installation direction. For roof ladders there is no limitations on slope – the choice of access ways should always be made to the advantage of the user experience. Rung ladders are not user-friendly on low slope roofs.

Slope limitations:

Roof walkway as an access way parallel to the slope: Max. 12°

Roof walkway for low slope roof: Max. 14°



Fast and safe fastening

- Comprehensively type-tested
- Versatile solution reduces the number of products needed in projects
- Suitable for fastening both roof walkways and roof ladders
- On steel roofs, the fastening strength is produced from the profile surface. This may be important, e.g., in renovation projects where the roof's substructure can be a factor reducing fastening strength
- New, secure, torsionally rigid fastening solution for tile roof ladders that meets both Class 1 and Class 2 requirements (EN 12951)



Technical details

Pisko MultiFast fastener	Details
Product code	29000
Dimensions	35 mm*96 mm*520 mm
Weight	1520 g
Material thickness	2,5 mm
Raw material	Hot dip galvanized structural steel
Coating	Qualicoat standard class 1 powder coat
Coating guarantee	15 years
Technical guarantee	50 years
Standards applied	EN 516 (roof walkway solutions), EN 12951 (roof ladder solutions)
Performance level	In accordance with separate Declaration of Performance

