

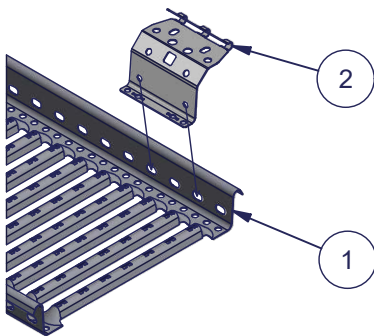
Pisko® SafeLine

Installation on a Pisko roof walkway

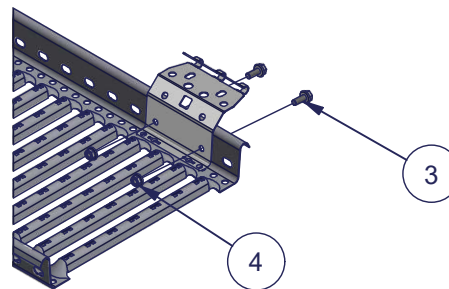
Before installation, make sure that the roof walkway(s) in use is installed according to class 2. Pisko SafeLine can only be installed on roof walkways with at least 3 roof fixing pieces.

INSTALLATION

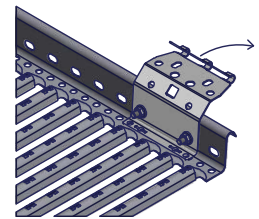
Position the SafeLine wire holder bracket (2) on the roof walkway (1). Maximum distance between brackets is 5 meters.



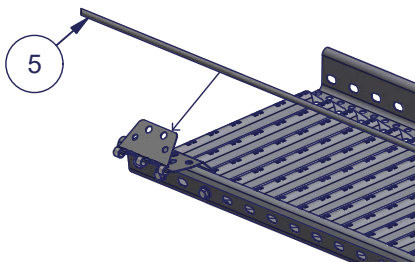
Attach bracket (2) with M8 flange bolt and flange nut. Avoid damaging the paint on the roof walkway during the fastening work.



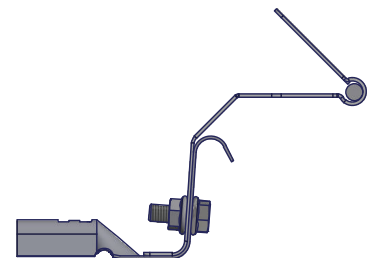
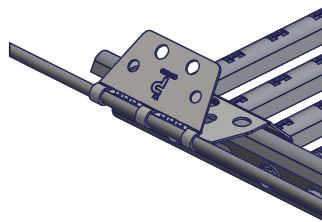
Bend open the top plate of the bracket (2) enough for the wire to fit in.



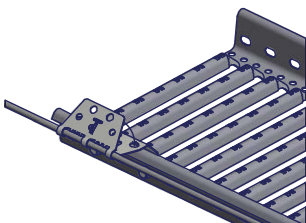
Insert wire (5) in the bracket (2).



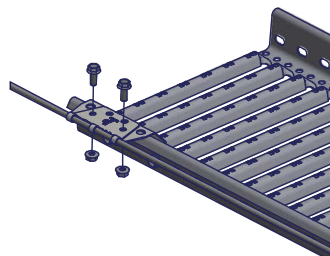
When inserting the wire inside the bracket (2) make sure the wire is completely inside the ring shaped elements of the bracket (2). Otherwise the teeth on the bracket (2) might not align correctly with the wire.



Bend the top plate towards the lower plate.



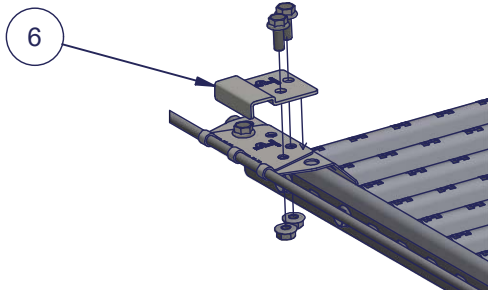
Lock the plates together with M8 flange bolt and flange nut. The tightening torque is approx. 30 Nm, or until the surfaces are completely against each other at the point of attachment.



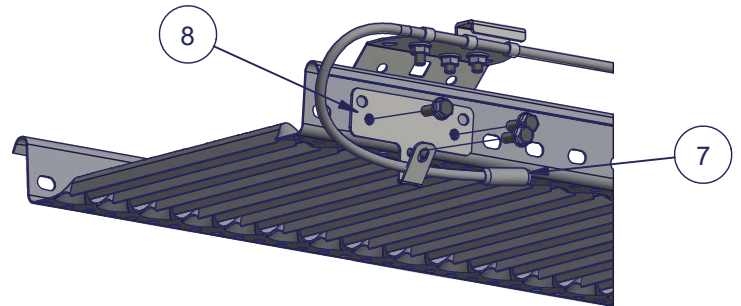
Install the remaining wire holder brackets accordingly

Part	Description
1	Pisko roof walkway
2	SafeLine wire holder bracket
3	Hexagon Flange Bolt M8, stainless steel
4	Hex Flange Nut M8, stainless steel
5	Pisko SafeLine stainless steel wire, 8mm

If the wire ends at the roof walkway, install a glider end stop (6) on the last bracket (2)



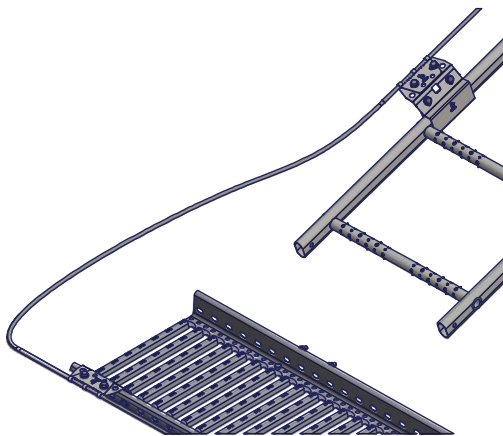
After the last SafeLine wire holder bracket, the end of the wire is turned 180 degrees and is locked against the roof walkway with SafeLine wire ending bracket (8). This improves the safety of the user.



WIRE ENDING ON THE ROOF WALKWAY

If the loose end of the wire after the last bracket has not been equipped with any factory-mounted terminal, it shall be protected with wire end protector (7) by pressing or using an alternative corresponding method.

A minimum of 40 cm of wire is needed after the last wire holder bracket, so the wire can be safely secured on the side of the walkway.



When extending the wire from the roof walkway to a roof or wall ladder, make sure the bend on the wire is smooth and the glider moves through the bend with ease. A bracket (2) must be installed as close as possible to the end of the roof walkway and the beginning of the ladder, while maintaining smooth wire curve.

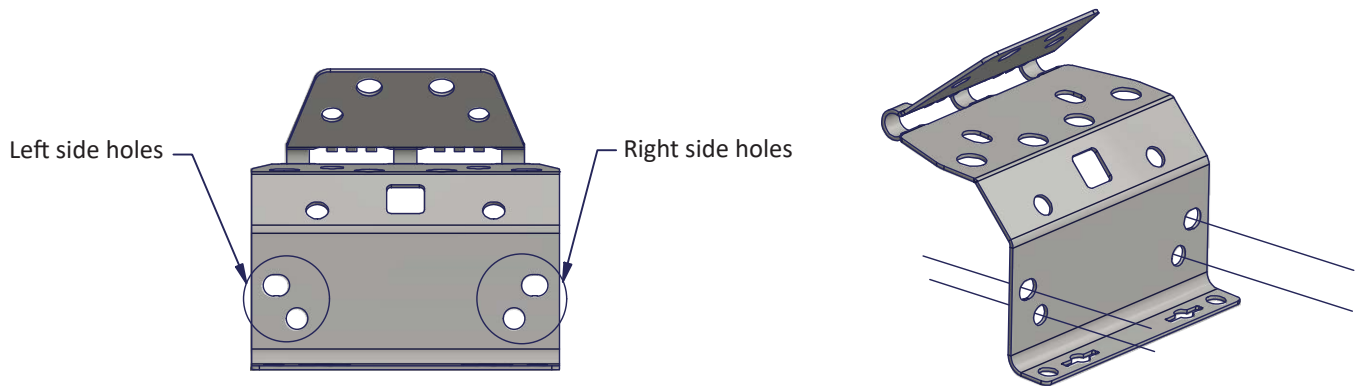
When tightening the wire between the brackets (2), take thermal expansion into account. This is especially important in long, continuous systems without extension terminals. Excess tension should be avoided.

Extension of the wire is possible by utilizing ready factory-assembled terminals. Make the extension by twisting the male terminal completely inside the female terminal. The extension / twisting is easier while the wire coming as an extension is still as a roll.

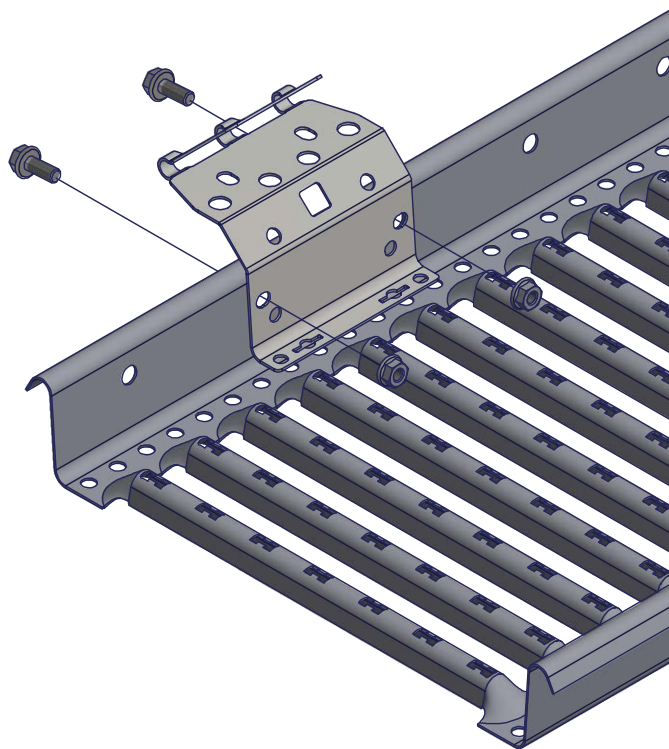
Part	Description
1	Pisko roof walkway
2	SafeLine wire holder bracket
3	Hexagon Flange Bolt M8, stainless steel
4	Hex Flange Nut M8, stainless steel
5	Pisko SafeLine stainless steel wire, 8mm
6	Glider end stop for wire holder bracket
7	Wire end protector
8	SafeLine wire ending bracket

ROOF WALKWAYS FROM OTHER MANUFACTURERS

Pisko SafeLine wire holder bracket can also be installed on other than Pisko walkways, in case they are intended and tested to be suitable for use as a safety rope fixing point. To attach a wire holder bracket on a walkway from other manufacturer, use at least one left side hole and one right side hole on the vertical part of the bracket. Use 8 mm flange nuts and 8 mm flange bolts when attaching the bracket. The hole in the walkway can be max. M10. Otherwise follow the steps demonstrated previously in this instruction.



Example of using the additional attachment holes on the SafeLine wire holder brackets to install it on a walkway from other manufacturer



USE

- Ensure the official commissioning inspection has been carried out by the installer
- Use only original parts provided by Piristeel Oy
- Instructions for the proper use of access ways can be found in separate product specific instructions
- Connect to the wire only with a glider certified for Pisko SafeLine system
- Pisko SafeLine wire system is to be used as a fall protection when moving along the appropriate path along the danger zones of the roof. Leaning heavily on the wire while working on the roof might damage the system
- Do not use the system if there is any visible damage
- Access ways used for Pisko SafeLine installation must be executed according to Class 2 performance
- SafeLine installed in a ladder can have only one person at a time
- Two persons are allowed to be attached on the Pisko SafeLine wire simultaneously on a walkway when there are at least two Pisko SafeLine wire holder brackets between the two persons
- Connecting to the wire is only allowed between Pisko SafeLine wire holder brackets. Connecting is NOT allowed after the last bracket, even if there is a loop formed by the wire
- Pisko SafeLine wire system is not suitable for sports or recreational activities
- Make sure that the harness matches the requirements provided in standard EN 361, and that the harness has not been damaged. In addition, adjust the harness to the correct measurements before use of the system, and, if required also adjust the harness during use
- Use only proper safety ropes intended to be used as a Personal Protective Equipment

MAINTENANCE

To ensure the reliability and safety of the products, the property owner must carry out yearly inspection and maintenance procedures, by a professional authorized by the manufacturer.

Yearly Maintenance inspection checklist for Pisko Safeline wire system:

- Check the tightness of joints, connections and attachments
- Check that there are no damaged wire holder brackets, ladder fixing pieces or flat roof fixing pieces for wire holder
- Check that the wire is undamaged
- Check that the glider(s) is undamaged
- Test the movement of glider stoppers for ladders and check that the parts of the stopper are not damaged
- If the wire system is attached to a ladder or a walkway, inspect those parts according to their own maintenance instructions
- Replace any damaged or faulty parts immediately
- Use only original parts provided by Piristeel oy when replacing damaged parts.
- Additional information can be found on separate inspection form or Pisko Pro app



C900083

Commissioning inspection done by

Company

Inspector

Date