

MOUNTING PLATFORM FOR ANCHOR POINT UNISEAM

INSTALLATION

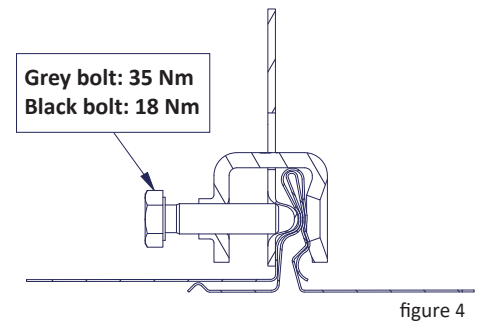
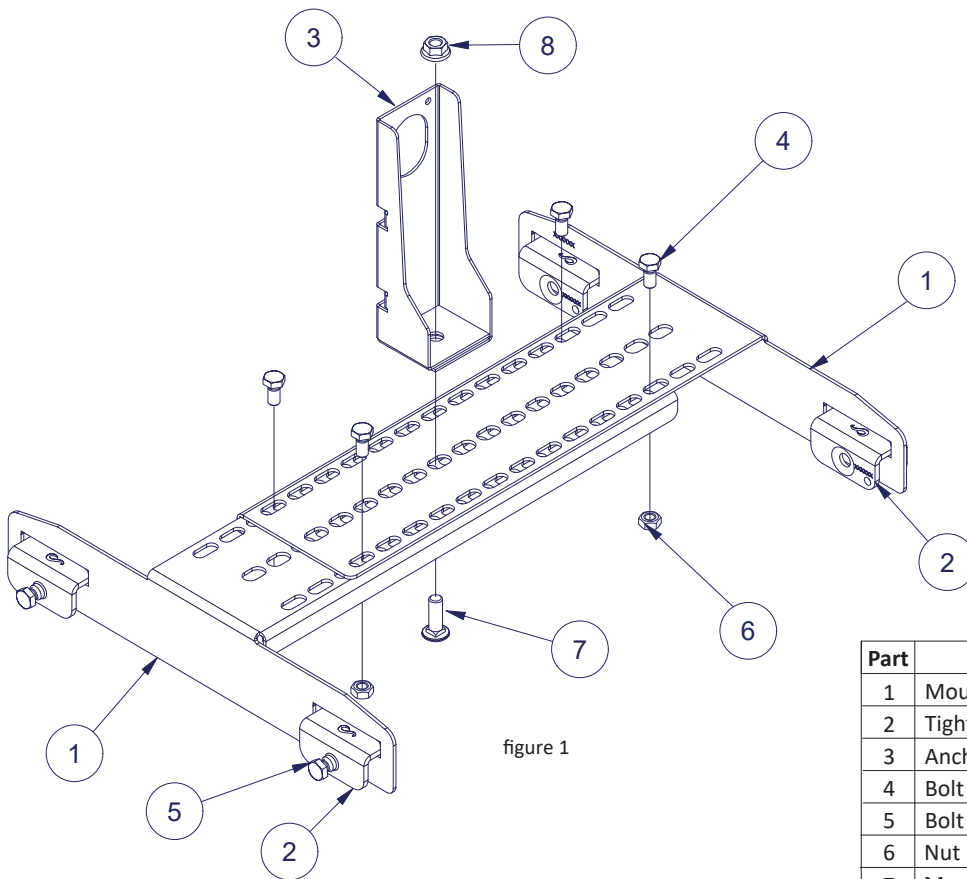
Pisko mounting platform shall be mounted on the standing seam with tightening clamps according to this instruction. Anchor point may be installed in different directions. The anchor point is only intended for the attachment of 1 person, equipped with personal fall protection.

The tightening clamps are inserted into the holes in the platform (according to figure 1) so that the bolts are always positioned outwards from the platform, regardless of the seam roof type. See figures 2 and 3 to understand the installation setup.

The M8 bolt in the tightening clamp shall be tightened to a torque, mentioned in the figure 4. Correct tightening torque will spread out the tightening clamp a bit, in order to create a tight connection (figure 4).

Connect the level parts of the mounting platform to each other with four M8x16 mm bolts and M8 nuts (figure 1).

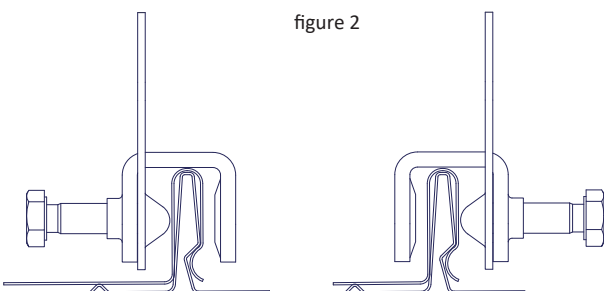
Attach the anchor point to the mounting platform with M10x30 mm bolt and M10 nut (figure 1).



Part	Description	pcs
1	Mounting platform for anchor point, UniSeam	2
2	Tightening clamp, Pisko UniSeam	4
3	Anchor point	1
4	Bolt hot galv. M8x16	4
5	Bolt M8	4
6	Nut hot galv M8	4
7	Mounting Plate Bolt 30mm, A2	1
8	Bolt M10x30, stainless steel	1

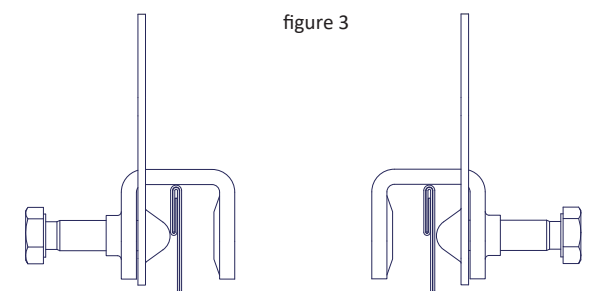
Snap-lock standing seam roof

figure 2



Tinsmith standing seam roof

figure 3



USE

The anchor points are designed to be used on low pitched roofs (less than 1:8) as an additional safety device to ensure safety in case of sudden falling. Individual anchor points do not replace the need for roof walkways, ladders and continuous safety rails. It is not meant to be used under continuous load while working on the roof as this may damage the product and/or the roof.

NOTE! Check the suitability of the product for the roof surface in the Pisko UniSeam suitable chart!

Amount of needed anchor points per roof is to be determined by the designer. The mounting substrate (roof structure) should be strong enough to withstand a minimum of 10 kN static and dynamic loads coming from the anchor point. The arrangement should be designed so that it is easy and safe to move on the roof by using two adequate lifelines. The anchor points should not be installed next to the edge of the roof due to safety of use.

- Anchor point is a safety device that ensures safety in case of falling. One must not continuously work by loading the person's weight solely on the anchor point - this may damage the product and substructures
- Only one person at a time, with a total weight of max. 150 kg, including the equipment, is allowed to fix a safety rope to the anchor point
- Use proper, approved safety rope / lifeline only
- Before using the anchor point, perform a visual inspection of the product and make sure the connection of the product is tight and secure

MAINTENANCE

Pisko products are hard-wearing and safe to use, guaranteed by the ongoing quality control and development work by Piristeel Ltd, as well as correct installation of the products according to the manufacturer's instructions. To ensure the reliability and safety of the products, the property owner must carry out yearly inspection and maintenance procedures and monitor that the installed products and the substructure (roof surface) surrounding the products are in good condition.

Check the tightness of joints, connections, fixings and attached devices. Especially pay attention to the possible waterproofing membrane around the mounts and take necessary actions to repair the membrane according to manufacturer's instructions, if needed.

Carefully inspect for a proper adhesion and/or condition of the waterproofing membrane's surface around the mounts. Check the roof attachments (fixings). Ensure any excessive snow load is cleared to minimize the strain on structures, fixed devices and attachment points (as necessary; there might be a need to do this several times during the winter).

As necessary, clear the attached devices of snow and ice. Check the paintwork and metal coating of the Pisko-products; repair faults and touch up paintwork if necessary. Replace or repair any damaged or faulty parts as soon as possible to avoid any hazards.