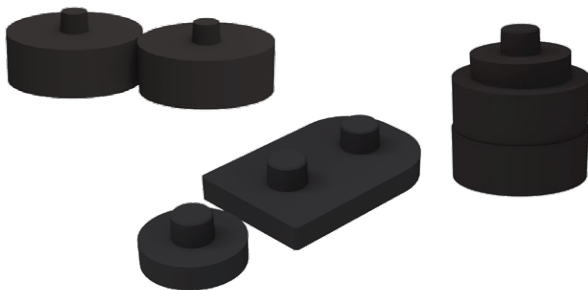


Pisko sealants – for easy watertight sealing!

Our utility model-protected seal collection *) designed for the Pisko product family, has everything you need to ensure sealing for all major Pisko products. In the development process, the focus was on durable watertight sealing, easy installation in all conditions, versatility, and compatibility across our product range.

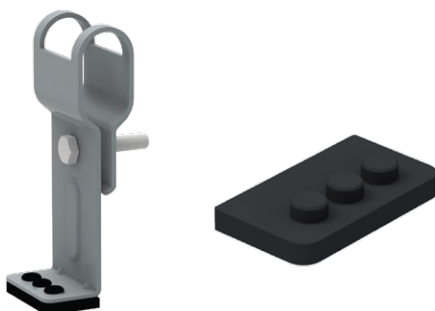
Easy installation in all conditions

When installing our seals, you don't need tools, optimal conditions, or specialized installation methods. Our products are designed for fast and easy installation. The seals are installed in the fasteners by gently pressing them into place. The pegs on the surface not only improve the watertight seal but also help with the installation by keeping the seals in place in the fastener.



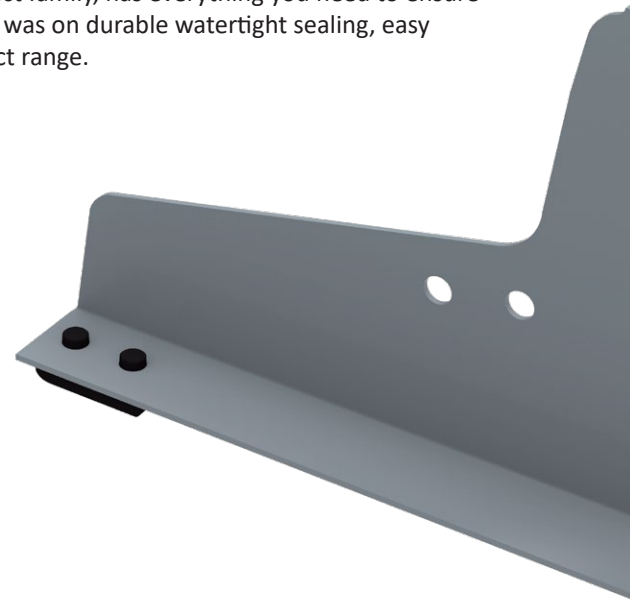
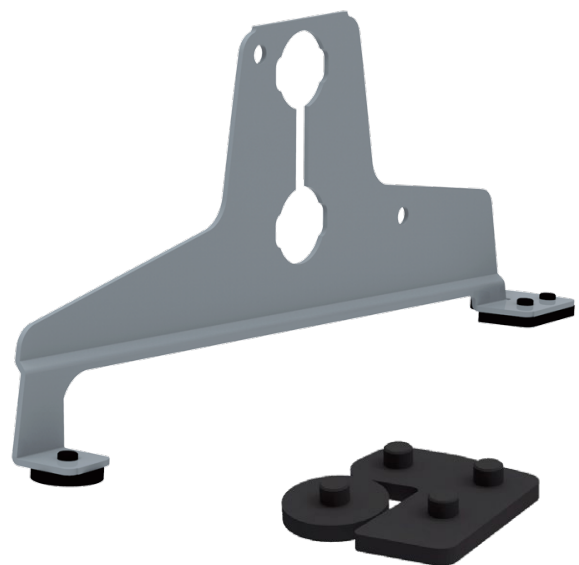
Customized solutions

The seal product family also includes customized solutions for sealing both Pisko roof ladder foot and the highly versatile Pisko SG Tilesheet 350 fastener. It works similarly to the Pisko 2+1 seal; simply press the seal all the way to the bottom of the iron, and you have a solution ready for installation. If necessary, the Pisko rubber seal button can also be used to raise these seals, making it possible to use Pisko fasteners even more widely in various applications, including rare roof types.



Compatibility across our product range

Our multi-purpose sealing solution, the Pisko 2+1 seal, is compatible with nearly all Pisko snow guard fasteners. Particularly with the Pisko Solar 425 fastener, the sealing gap often needs to be adjusted on tile-patterned roofs. This is easy to do with the Pisko rubber seal button, pressed to the bottom of the 2+1 seal. One seal adds 10 mm to the seal bundle height.



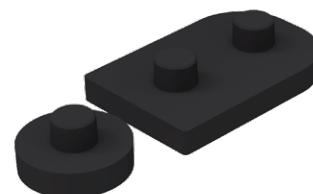
Pisko seals

The Pisko seals are made of high-quality UV protected TPE materials. Thermoplastic elastomer (TPE) is a recyclable material with properties similar to rubber. TPE is highly resistant to various chemicals and weather conditions. Furthermore, all Pisko seals are designed to seal the screw hole.

Pisko 2+1 seal

Nova code: 81139
Material: TPE
Seal height 5 mm

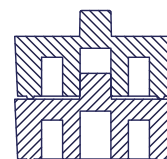
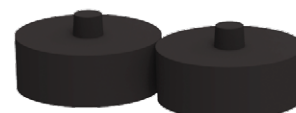
- Easy and quick to install: simply press the seal to the bottom of the fastener
- Compatible with most Pisko snow guard fasteners – both TKP fasteners and straight profile snow guard fasteners, such as TKP 400 or LE SK 400.
- The Pisko 2+1 seal is protected with utility model protection *)



Rubber seal button pair

Nova code: 81130
Material: TPE
Seal height 10 mm

- Easy to stack
- Compatible with other Pisko seals
- Used to raise the seals where necessary when the sealing gap is larger than usual
- Delivered in pairs



Roof ladder rubber seal

Nova code: 81140
Material: TPE
Seal height 5 mm

- Used with the Pisko roof ladder fastener
- Easy and quick to install: simply press the seal to the bottom of the fastener
- Protects the roof surface from wear



Seal set, SG tile sheet 350

Nova code: 81141
Material: TPE
Seal height 5 mm

- Perfect for Pisko profiled roofing fasteners, such as SG tile sheet 350
- The round part is easy to raise with rubber seal buttons, if necessary
- The seal is protected with utility model protection *)



*) currently protection in force in Finland.