

PISKO UNISEAM EXTRA BRACKET

The UniSeam extra bracket is used when installing the Pisko roof walkway in accordance with the requirements of class 2 on a snap-lock seam roof with partial (low) male tongue height (see table 1 and figure 1).

Suitable roofs
Schlebach 25
Schlebach 38

table 1

Install the Pisko Uniseam fasteners according to the instructions for installation, use and maintenance Pisko roof walkway for standing seam roof, Pisko UniSeam.

In addition to the normal roof walkway installation, the extra brackets are installed only on the outermost fasteners of the roof walkway assembly (figure 3).

Attach the extra bracket to the Uniseam fastener with M8x16 mm hexagon bolt and M8 hexagon nut (figure 3). If necessary, the extra bracket can be mounted on either side of the seam (figure 2).

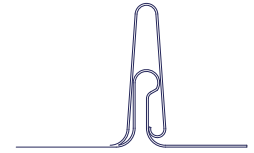


figure 1

When installing roof walkway, an additional M8 washer must be used at the outermost fasteners of the roof walkway assembly at the joint between the roof walkway and the inclination adjustment plate to increase the overall strength. Otherwise, the installation of the roof walkway is performed according to the normal installation method in accordance with the instructions for installation, use and maintenance Pisko roof walkway for standing seam roof, Pisko UniSeam.

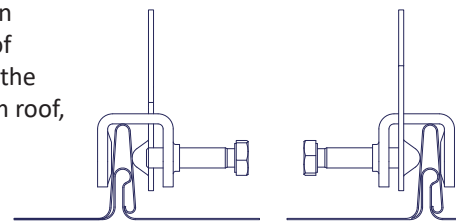


figure 2

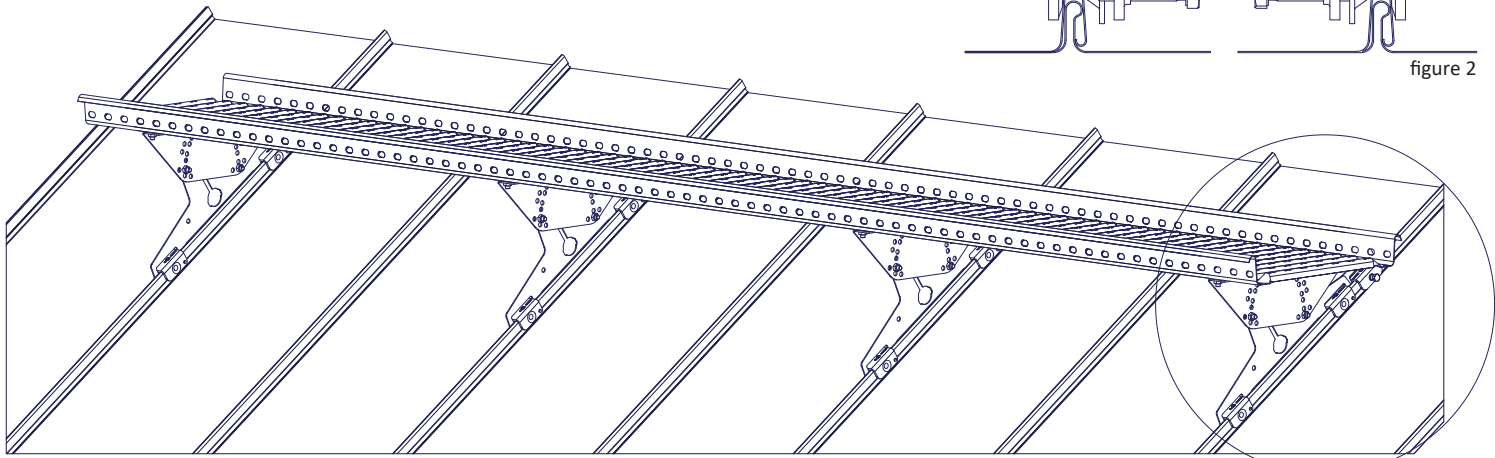
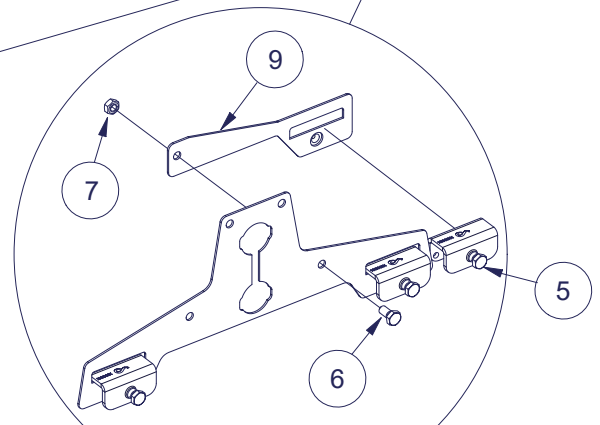
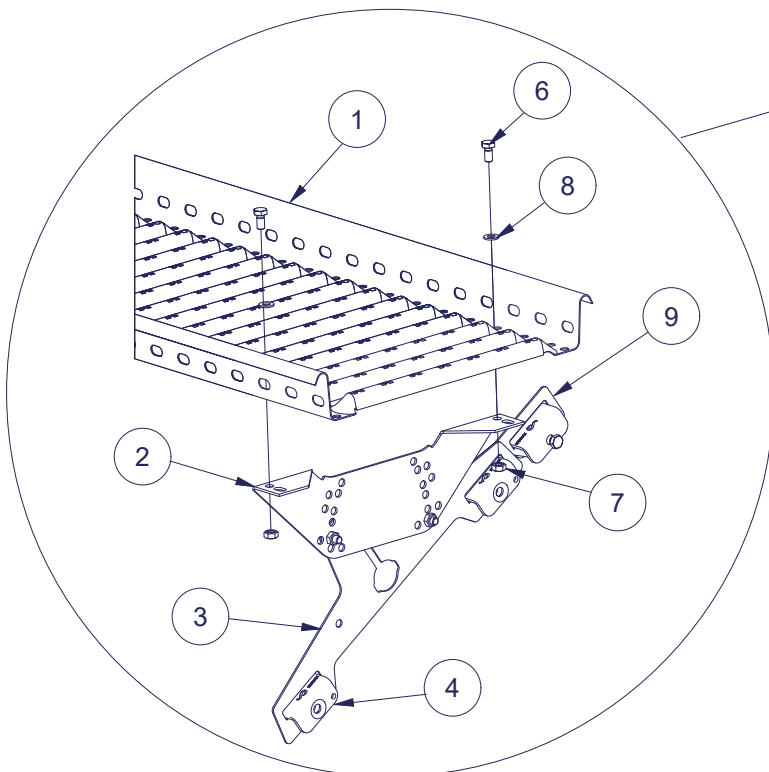


figure 3



Part	Description
1	Roof walkway 350 mm x 3000 mm
2	Inclination adjustment plate
3	SG Fastener, Pisko UniSeam
4	SG Tightening Clamp, Pisko UniSeam
5	Hexagon bolt M8
6	Hexagon bolt M8x16, hot-dip galvanized
7	Hexagon nut M8, hot-dip galvanized
8	Washer M8, hot-dip galvanized
9	SG Extra bracket, Pisko Uniseam

USE

A roof walkway must be used when the roof inclination is more than 1:8. If the height of the building is more than 9 meters, safety rope fixing structures must be provided (Finnish Ministry of the Environment, Decree on the safe use of buildings on January 1, 2018). Standard EN 516 provides two installation options for roof walkways: class 1 and class 2. Using personal fall protection equipment, a person is only allowed to attach themselves to a roof walkway, which is installed in accordance with class 2. Pisko roof walkway has been dimensioned against 1,5 kN (~150 kg) concentrated load (load from the user).

The Pisko roof walkway for standing seam roofs is manufactured in compliance with EN 516 and the roof walkway system with Pisko UniSeam bracket has passed the static and dynamic tests specified in the relevant standard for class 2 with Schleich roofs when using Pisko UniSeam extra bracket for the outermost brackets. An appropriate safety rope can be fixed to a roof walkway, which is installed in accordance with class 2. The safety rope must be intended to be used as a personal safety rope and it must conform to relevant standards such as e.g. EN 353-2 and should be equipped with a shock absorber (EN 355). A horizontal carriage that moves along the Pisko safety rail or, alternatively, a rope fastener is used as a safety rope attachment point with Pisko roof walkways (see the separate installation instructions for these products). Moreover, the following must be taken into consideration when using a safety rope:

- Only safety ropes (e.g. EN 353-2) or retractable lanyards (EN 360) that are meant to be used as a personal fall protection equipment should be used
- Only one person at a time, with a total weight of max. 100 kg, including the equipment, is allowed to fix a safety rope to the horizontal carriage/rope fastener.
- The distance between attachment points must be at least four (4) meters if more than one user is attached to the same roof walkway or horizontal safety rail.
- The safety rope may only be used towards the eave on the pitched roof area where the roof walkway is installed.

MAINTENANCE

Pisko products are hard-wearing and safe to use, guaranteed by the ongoing quality control and development work by Piristeel Ltd, as well as correct installation of the products according to the manufacturer's instructions. To ensure the reliability and safety of the products, the property owner must carry out yearly inspection and maintenance procedures, and monitor that the snow load specified by the regulations is not exceeded.

The property owner must have all roof safety products, that have been installed and used according to class 2, and personal safety equipment inspected by a professional authorized by the manufacturer.

Yearly maintenance inspection checklist for Pisko products:

- Check the tightness of joints, connections and attachments.
- Check the roof attachments (fixings).
- Ensure any excessive snow load is cleared to minimize the strain on structures and attachment points (as necessary; there might be a need several times during the winter).
- As necessary, clear the roof walkways of snow and ice.
- Check the paintwork and zinc coating of the products; repair faults and touch up paintwork if necessary
- Replace or repair any damaged or faulty parts as soon as possible.

Piristeel Oy Metallitie 4, 62200 Kauhava Finland 19
EN 516 Pisko Walkway SG Fastener, Pisko UniSeam 1362 Type B Mechanical strength: Class 1 and Class 2 Reaction to fire: Class A1 Durability: Z275 + powder coating 80 µm External fire performance: DTS

This product has been installed by

COMPANY

INSTALLER

According to class 1:

According to class 2: