

## PISKO SAFEGRIP ROOF LADDER WITH MOUNTING PLATE FOR BITUMEN ROOF, 1347

Pisko roof ladders for bitumen roofs are used as extensions of wall-mounted ladders and/or roof walkways to create safe access paths on bitumen roofs. It must be possible to move safely on the roof from the eaves to the ridge, chimney, sunroofs and other areas requiring maintenance. Pisko ladders have a rung width of 400 mm and rung diameter of 25 mm.

### INSTALLATION

Roof ladders must be attached to the load-bearing structures of the roof, at least at the top and bottom ends of the ladder (EN 12951, Section 5.3.1). Due to the strain created by snow loads, we recommend the use of more fastenings.

If the ladder is to be extended, the extension must be attached to the top end of the ladder. Secure the joint with M8x40 hexagon bolt and M8 hexagon nut (figure 2).

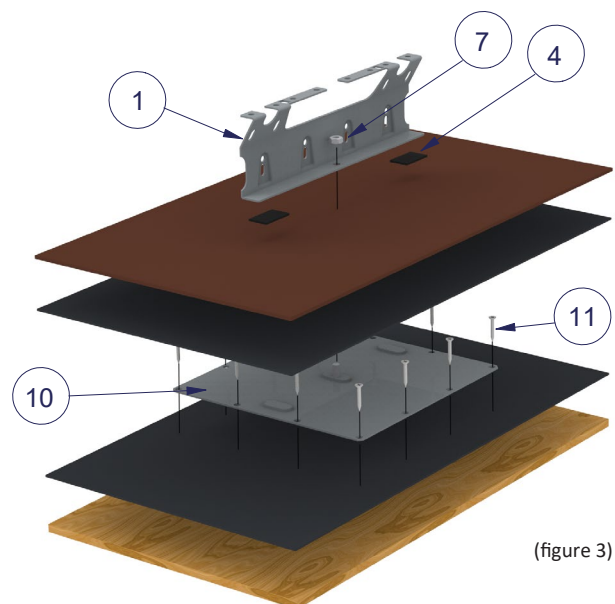
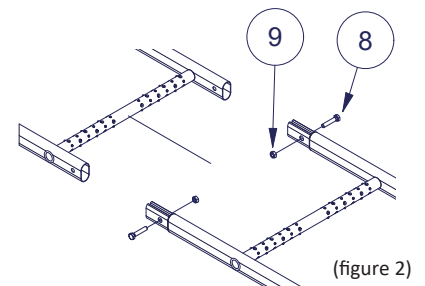
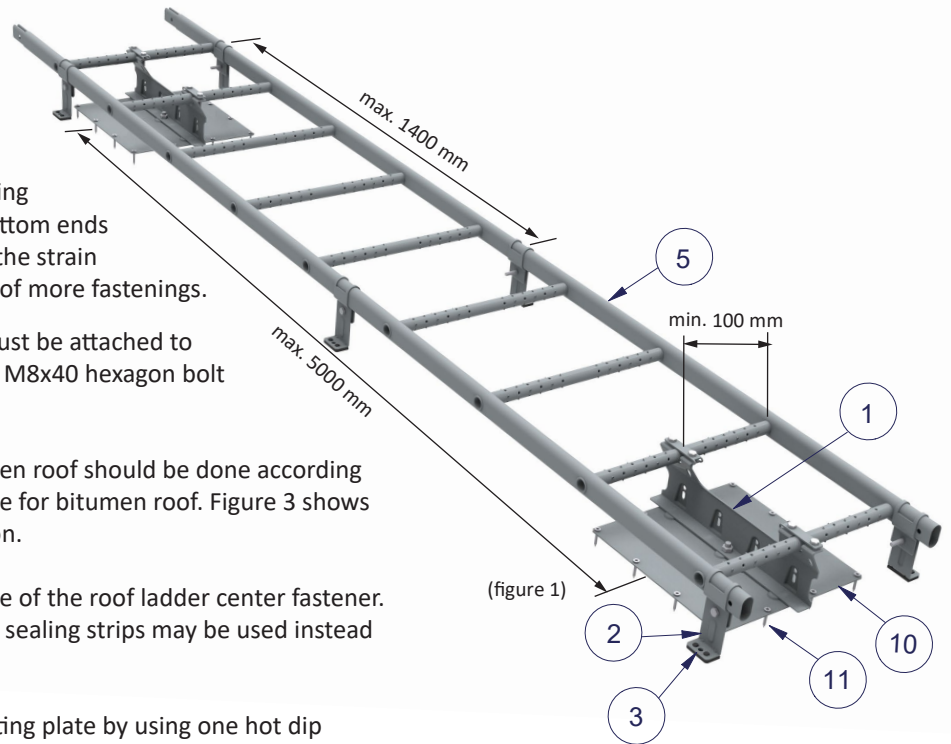
The installation of the mounting plate for bitumen roof should be done according to the instruction for installation, mounting plate for bitumen roof. Figure 3 shows the installation principle of the fastening solution.

Fix dedicated seals to the ends of the base of the of the roof ladder center fastener. Alternatively, two pieces of approx. 50 mm long sealing strips may be used instead of the seals.

Fix the roof ladder center fastener to the mounting plate by using one hot dip galvanized M10 nut.

Install the roof ladder fasteners (support feet) to the ladder frame at approximately 1400 mm intervals (figure 1). Attach the roof ladder fasteners to the ladder frame with M8x30 hexagonal bolts. Place the roof ladder rubber seals at the base of the roof ladder fasteners

Place the ladder frame on the center fasteners and fold and lock the mounting flanges of the center fastener in their positions by using M8x30 mm hexagonal bolts. The center fasteners should be installed in the lower and upper end of the ladder. The longest allowed distance between the center fasteners is 5000 mm. Add more center fasteners, as necessary. The center fastener should be installed at a minimum distance of 100 mm from the side rail (figure 1).



Part	Description
1	Roof ladder central fastener
2	Roof ladder fastener, low (total height 134 mm)
3	Roof ladder rubber seal
4	Seal or sealing strip
5	Pisko SafeGrip ladder
6	Hexagon bolt M8x30, hot-dip galvanized
7	Hexagon bolt M10, hot-dip galvanized
8	Hexagon bolt M8x40, hot-dip galvanized
9	Hexagon nut M8, hot-dip galvanized
10	Mounting plate for bitumen roof
11	Universal screw for outdoor use 5x35 mm [12 pcs/fastener]

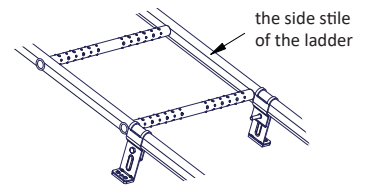
(figure 3)

## USE

Roof ladder must be used when the roof inclination is more than 1:8. If the height of the building is more than 9 meters, safety rope fixing structures must be provided (Ministry of the Environment Decree on the safe use of buildings on January 1, 2018). Standard EN 12951 provides two installation options for roof ladders: class 1 and class 2. Using personal fall protection equipment, a person is only allowed to attach themselves to a roof ladder, which is installed in accordance with class 2. Pisko SafeGrip roof ladder has been dimensioned against 1,5 kN (~150 kg) concentrated load (load from the user).

The Pisko SafeGrip roof ladder with mounting plate for bitumen roof conforms to standard EN 12951, having undergone static and dynamic tests per class 2. An appropriate safety rope can be fixed to a roof ladder, which is installed in accordance with class 2. The safety rope must be intended to be used as a personal safety rope and it must conform to relevant standards such as e.g. EN 353-2 and should be equipped with a shock absorber (EN 355). Moreover, the following must be taken into consideration when using a safety rope:

- Only safety ropes (e.g. EN 353-2) or retractable lanyards (EN 360) that are meant to be used as a personal fall protection equipment should be used
- The recommended safety rope fixing point is the side stile of the ladder
- Only one person at a time, with a total weight of max. 100 kg, including the equipment, is allowed to fix a safety rope to the roof ladder.
- The safety rope must be fixed to the roof ladder only in the space between the roof ladder fasteners, that connect the ladder to the roof structure.
- The safety rope shall never be fixed to the support foots of the ladder
- The safety rope may only be used towards the eave on the pitched roof area where the roof ladder is installed.



## MAINTENANCE

As long as the Pisko products are installed in accordance with the instructions, they have a long life cycle and they are safe to use, guaranteed by the continuous quality control and R&D by Piristeel Oy. In order to ensure the safe use and the long life cycle, the property owner must perform the annual inspection and maintenance procedures and ensure that the snow load is not exceeded, as specified in the regulations.

**The property owner must check the roof safety products and personal protective equipment, installed in accordance with class 2, by outsourcing this annually to a person authorized by the manufacturer.**

The annual inspection and maintenance areas for the Pisko products:

- Check the tightness of the joints and points of attachment.
- Check the fastenings in the roof.
- Remove the excessive snow load in order to minimize the stress on structures and points of attachment (as necessary, several times during winter). As necessary, remove snow and ice from the floor bridges.
- Check the the painted and galvanized product surfaces and, as necessary, repair local damages and perform touch-up painting.
- Replace or repair any damaged or faulty parts as soon as possible.

<b>CE</b>
<b>Piristeel Oy</b> <b>Metallitie 4, 62200 Kauhava</b> <b>Finland</b> <b>18</b>
<b>EN 12951</b>  Pisko SafeGrip roof ladder with mounting plate for bitumen roof, 1335 TB (TA with stepping surface kit)  <b>Mechanical strength:</b> Class 1 and Class 2  <b>Reaction to fire:</b> Class A1  <b>Durability:</b> Z275 + powder painting 80 µm (external parts of the pitched roof area)  <b>External fire performance:</b> DTS

This product has been installed by

COMPANY

INSTALLER

- According to class 1:
- According to class 2: