

## PISKO SAFEGRIP ROOF LADDER FOR RUUKKI HYYGGE ROOF

Pisko roof ladders for Ruukki Hyygge roofs are used as extensions of wall-mounted ladders and/or roof walkways to create safe access paths on Ruukki Hyygge roofs. It must be possible to move safely on the roof from the eaves to the ridge, chimney, sunroofs and other areas requiring maintenance. Pisko ladders have a rung width of 400 mm and rung diameter of 25 mm.

### INSTALLATION

Roof ladders must be attached to the load-bearing structures of the roof, at least at the top and bottom ends of the ladder (EN 12951, Section 5.3.1). Due to the strain created by snow loads, we recommend the use of more fastenings.

If the ladder is to be extended, the extension must be attached to the top end of the ladder. Secure the joint with M8x40 hexagon bolt and M8 hexagon nut (figure 3).

Roof ladders are fastened to Ruukki Hyygge roofs using roof ladder fasteners, profile metal sheet roofs (total height 173 mm).

- Place the roof ladder rubber seals (3) to roof ladder fastener (2).
- Remove the upper attachment rubber button from seal (figure 1).
- Carefully position the roof ladder fasteners in their places on the battens, and tighten them on the ladder frame (4). Attach roof ladder fasteners to the ladder frame with M8x25 or M8x30 hexagon bolt (5).
- Fasten the roof ladder fasteners to roof batten using upper hole of fastener (figure 2).
  - Fastening screw: HVAC 7x40mm (1)
  - Batten: 32x100 mm
  - Spacers max. span: 1400mm

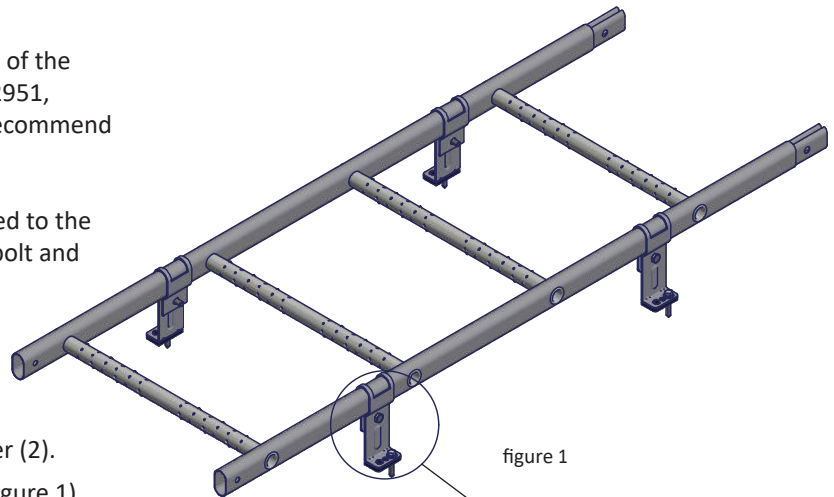


figure 1

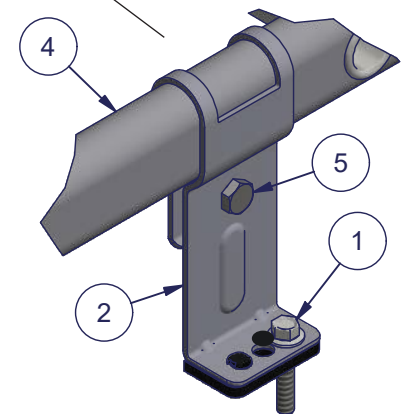
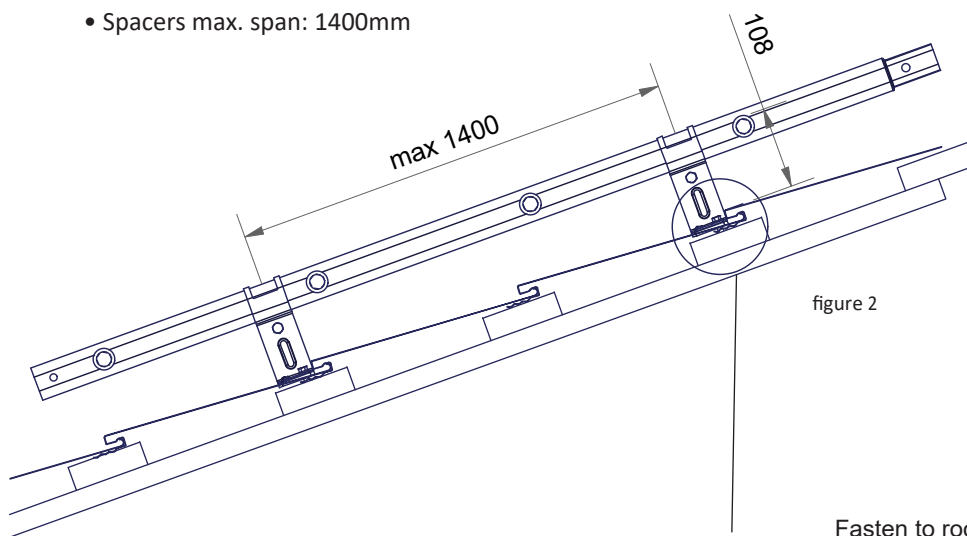


figure 2



Fasten to roof batten using the upper hole

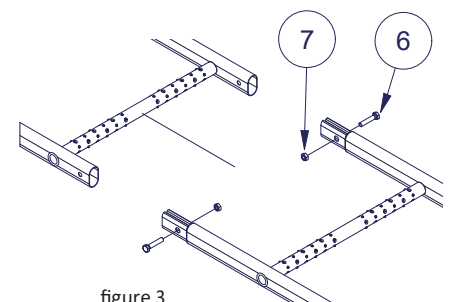


figure 3

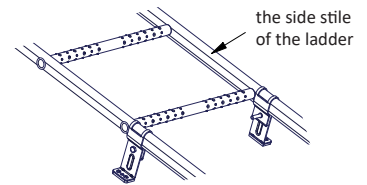
Part	Description
1	HVAC-screw, 7x40 or 7x50 mm
2	Roof ladder fastener, profile metal sheet roofs
3	Roof ladder seal
4	Pisko SafeGrip ladder
5	Hexagon bolt DIM 933 M8x25 hot-dip galvanized
6	Hexagon bolt M8x40, hot-dip galvanized
7	Hexagon nut M8, hot-dip galvanized

## USE

Roof ladder must be used when the roof inclination is more than 1:8. If the height of the building is more than 9 meters, safety rope fixing structures must be provided (Ministry of the Environment Decree on the safe use of buildings on January 1, 2018). Standard EN 12951 provides two installation options for roof ladders: class 1 and class 2. Using personal fall protection equipment, a person is only allowed to attach themselves to a roof ladder, which is installed in accordance with class 2. Pisko SafeGrip roof ladder has been dimensioned against 1,5 kN (~150 kg) concentrated load (load from the user).

The Pisko SafeGrip roof ladder for Ruukki Hyygge roof conforms to standard EN 12951, having undergone static and dynamic tests per class 2. An appropriate safety rope can be fixed to a roof ladder, which is installed in accordance with class 2. The safety rope must be intended to be used as a personal safety rope and it must conform to relevant standards such as e.g. EN 353-2 and should be equipped with a shock absorber (EN 355). Moreover, the following must be taken into consideration when using a safety rope:

- Only safety ropes (e.g. EN 353-2) or retractable lanyards (EN 360) that are meant to be used as a personal fall protection equipment should be used
- The recommended safety rope fixing point is the side stile of the ladder
- Only one person at a time, with a total weight of max. 100 kg, including the equipment, is allowed to fix a safety rope to the roof ladder.
- The safety rope must be fixed to the roof ladder only in the space between the roof ladder fasteners, that connect the ladder to the roof structure.
- The safety rope shall never be fixed to the support foots of the ladder
- The safety rope may only be used towards the eave on the pitched roof area where the roof ladder is installed.




## MAINTENANCE

Pisko products are hard-wearing and safe to use, guaranteed by the ongoing quality control and development work by Piristeel Ltd, as well as correct installation of the products according to the manufacturer's instructions. To ensure the reliability and safety of the products, the property owner must carry out yearly inspection and maintenance procedures, and monitor that the snow load specified by the regulations is not exceeded.

**The property owner must have all roof safety products, that have been installed and used according to class 2, and personal safety equipment inspected by a professional authorized by the manufacturer.**

Yearly maintenance inspection checklist for Pisko products:

- Check the tightness of joints, connections and attachments.
- Check the roof attachments (fixings).
- Ensure any excessive snow load is cleared to minimize the strain on structures and attachment points (as necessary; there might be a need several times during the winter). As necessary, clear the roof ladder of snow and ice.
- Check the paintwork and zinc coating of the products; repair faults and touch up paintwork if necessary
- Replace or repair any damaged or faulty parts as soon as possible.


<b>Piristeel Oy</b> <b>Metallitie 4, 62200 Kauhava</b> <b>Finland</b> <b>19</b>
<b>EN 12951</b> Pisko SafeGrip roof ladder for a Ruukki Hyygge profiled steel roof, 1361 TB <b>Mechanical strength:</b> Class 1 and Class 2 <b>Reaction to fire:</b> Class A1 <b>Durability:</b> Z275 + powder coating 80 µm <b>External fire performance:</b> DTS

This product has been installed by

- According to class 1:  
 According to class 2:

COMPANY

INSTALLER