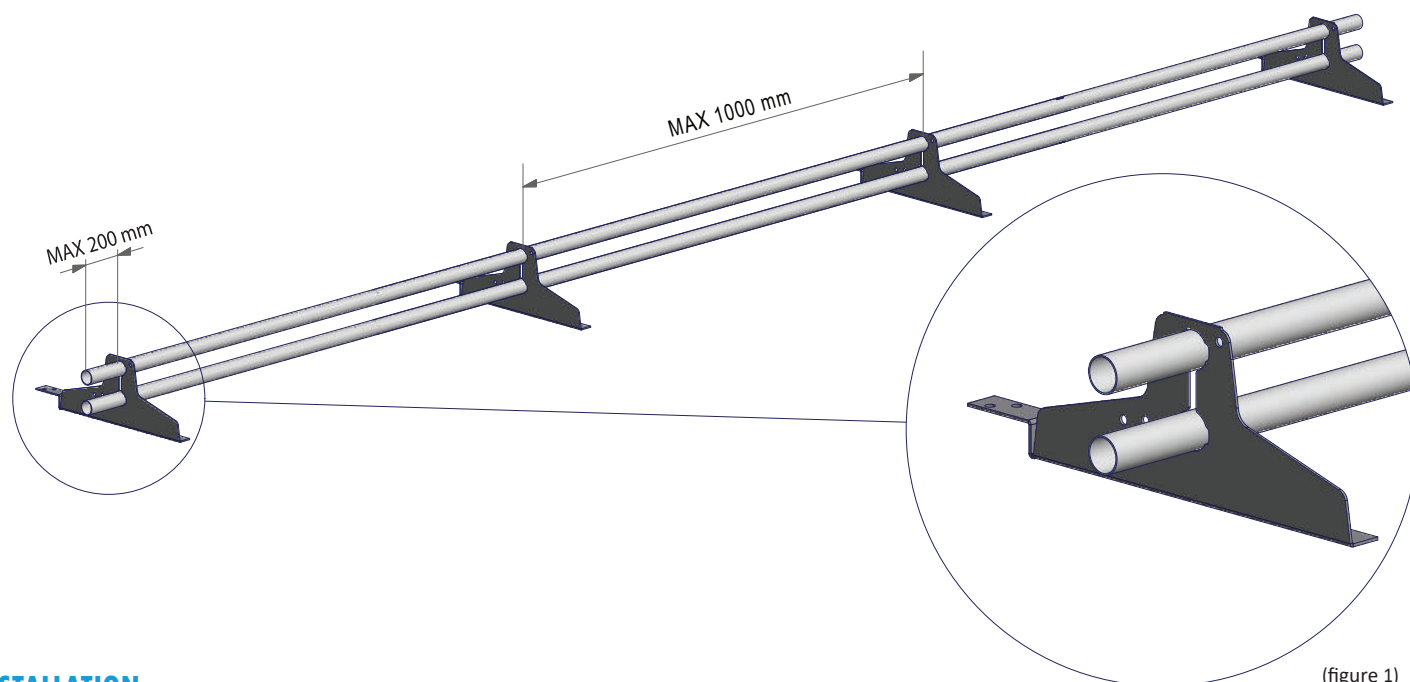


PISKO SNOW GUARD FOR DECRA ROOF



(figure 1)

INSTALLATION

The snow guard must be positioned as close to the eaves as possible so that the load of the snow is directed towards load-bearing structures.

Attach the snow guard bracket SG Decra to batten by using three 7x50 mm HVAC-screws, two screws at the top end and one at the bottom end (figure 2). Glue EPDM sealing strip to the base of the bracket to seal the lead-in holes.

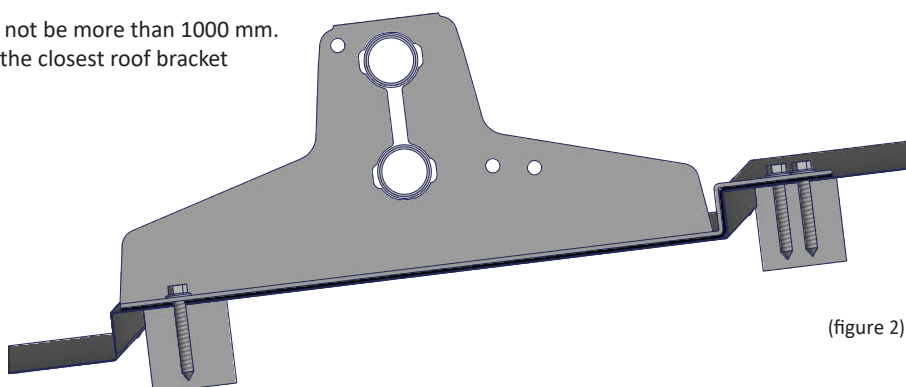
Minimum batten size 100 x 22 mm (structural timber quality).

Slide the snow guard pipes through the round holes of the roof brackets and secure the pipes in place by pipe fixing screws through the pipes, next to the outmost brackets.

The extensions of the snow guard pipes shall be done by sliding the pipe end with solid reducer inside the adjacent non-reduced pipe.

The distance between the adjacent roof brackets shall not be more than 1000 mm. The edges of the snow guard pipes shall not outreach the closest roof bracket by more than 200 mm (figure 1).

Description
SG Decra
HVAC-crew 7x50 mm [3 pcs/bracket]
Snow guard pipe 32 mm
Pipe fixing screw, e.g. 4,8x25 self-tapping farmer screw or 4,8x19 self drilling screw



(figure 2)

MAINTENANCE

Pisko products are hard-wearing and safe to use, guaranteed by the ongoing quality control and development work by Piristeel Ltd, as well as correct installation of the products according to the manufacturer's instructions. To ensure the reliability and safety of the products, the property owner must carry out yearly inspection and maintenance procedures, and monitor that the snow load specified by the regulations is not exceeded.

- Check the tightness of joints, connections and attachments.
- Ensure any excessive snow load is cleared to minimize the strain on structures and attachment points (as necessary; there might be a need several times during the winter). Product durability in accordance with the certification certificate.
- Check the paintwork and zinc coating of the products; repair faults and touch up paintwork if necessary
- Replace or repair any damaged or faulty parts as soon as possible.

MAXIMUM LENGTH OF ROOF SLOPE (RT Reference Card 85-11132)

Indicative figures for the maximum distance (m) of the roof slope above the snow guard on a smooth surface. The maximum distance on coarse roofs, such as bitumen roofs can be increased by 1.3 – 1.5 times the stated amount. The snow load values shown are the actual snow loads on a roof.

Roof's inclination angle (°) and snow ratio (the ratio of the slope to the horizontal width of the roof pane)	Maximum length of slope above the snow guards					
The characteristic value of the snow load on the roof: 1,8 kN /m ²						
Space between the snow guard fasteners	0,5 m	0,6 m	0,75 m	0,9 m	1,0 m	1,2 m
Roof's inclination angle and snow ratio						
< 15°, (1:3,7)	21,4	17,9	14,3	12,0	10,7	9,0
15... 22°, 1:3,7... 1:2,5	11,4	9,5	7,6	6,3	5,7	4,8
22... 27°, 1:2,5... 1:2	8,4	7,0	5,6	4,7	4,2	3,5
27... 37°, 1:2... 1:1,3	7,4	6,2	4,9	4,1	3,7	3,1
37... 45°, 1:1,3... 1:1	9,0	7,5	5,9	5,0	4,5	3,7
The characteristic value of the snow load on the roof: 2,0 kN /m ²						
Space between the snow guard fasteners	0,5 m	0,6 m	0,75 m	0,9 m	1,0 m	1,2 m
Roof's inclination angle and snow ratio						
< 15°, (1:3,7)	19,1	16,1	12,9	10,8	9,6	8,1
15... 22°, 1:3,7... 1:2,5	10,2	8,6	6,9	5,7	5,1	4,3
22... 27°, 1:2,5... 1:2	7,6	6,3	5,1	4,2	3,8	3,2
27... 37°, 1:2... 1:1,3	6,7	5,6	4,4	3,7	3,3	2,8
37... 45°, 1:1,3... 1:1	8,2	6,8	5,3	4,5	4,1	3,3
The characteristic value of the snow load on the roof: 2,6 kN /m ²						
Space between the snow guard fasteners	0,5 m	0,6 m	0,75 m	0,9 m	1,0 m	1,2 m
Roof's inclination angle and snow ratio						
< 15°, (1:3,7)	15,0	12,5	9,9	8,3	7,5	6,2
15... 22°, 1:3,7... 1:2,5	8,0	6,6	5,3	4,4	4,0	3,3
22... 27°, 1:2,5... 1:2	5,8	4,8	3,9	3,3	2,9	2,4
27... 37°, 1:2... 1:1,3	5,2	4,3	3,4	2,8	2,6	2,1
37... 45°, 1:1,3... 1:1	6,2	5,2	4,1	3,5	3,1	2,6

PICTURED IS AN EXAMPLE OF SNOW GUARDS BEING USED ACCORDING TO THE TABLE.

Maximum length of the slope above the snow guards: 4,7 m

Roof angle 25°
Snow load 1,8 kN/m²

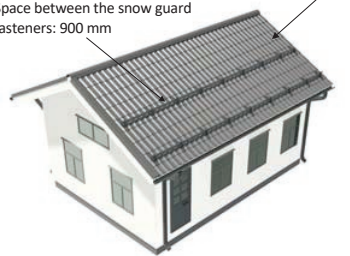
Space between the snow guard fasteners: 900 mm



Maximum length of the slope above the snow guards: 3,3 m

Roof angle 25°
Snow load 2,6 kN/m²

Space between the snow guard fasteners: 900 mm



Pisko Snow Guards are capable of bearing a load of at least 5 kN/m, in the direction of the inclined roof. By following the values in the table these requirements are fulfilled.