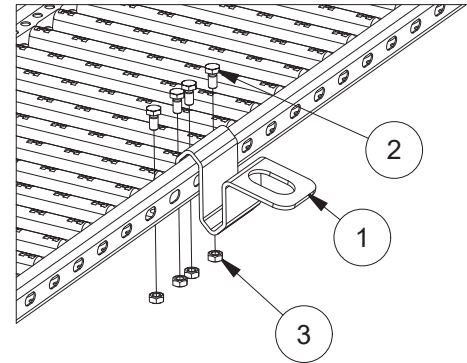
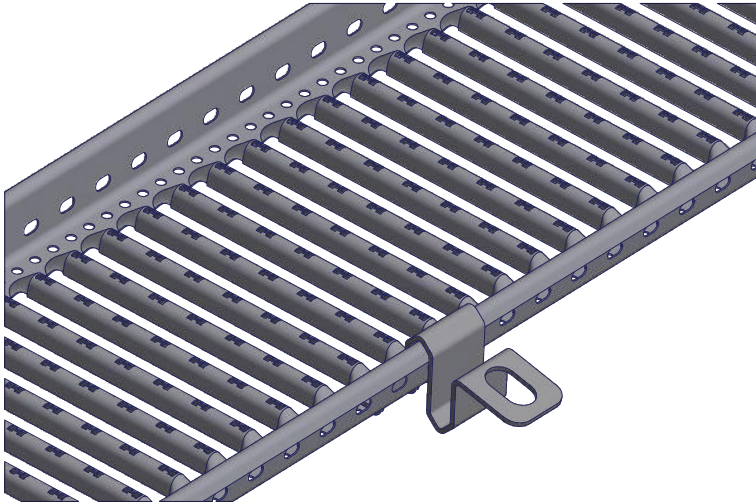


Rope fastener



Part	Product	Part number	Pcs
1	Rope fastener	33050	1
2	DIN 933 - M8 x 16.ipt		4
3	DIN 934 - M8 x 1,25.ipt		4

INSTALLATION

- The rope fastener is mounted to a roof walkway with four M8x16 hexagon bolts and M8 hexagon nuts. The roof walkway must be installed in accordance with class 2.
- The rope fastener must not be installed outside of the outermost roof walkway fastener.
- If there is more than one rope fastener on the same roof walkway, the distance between rope fasteners must be at least 4 meters.

USE

Rope fasteners can be used as safety rope attachment points for maintenance work on the roof (e.g. snow clearance, roof painting, etc.) and on roofs where installation of a safety rail is not suitable

MAINTENANCE

The rope fastener should be checked annually by a professional authorized by the manufacturer.

