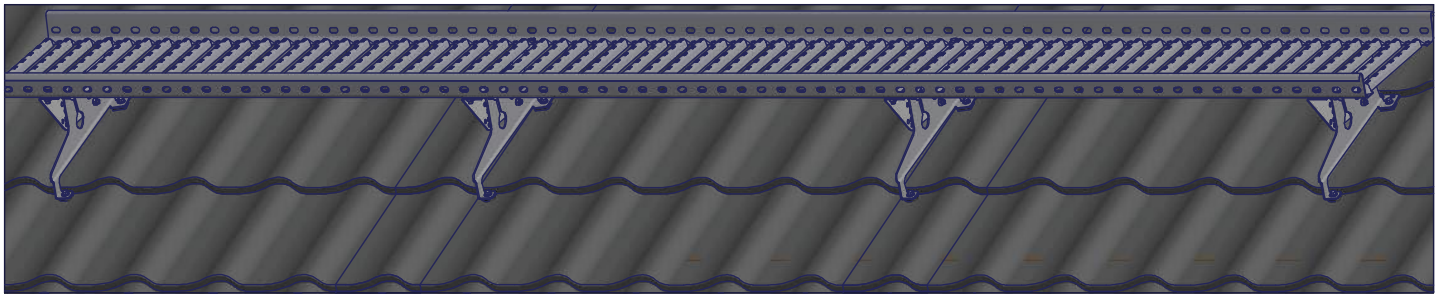


PISKO ROOF WALKWAY, SG TILE SHEET ROOF 350 MM, 1357



INSTALLATION

Place the sealants (6) to the roof bracket (5).

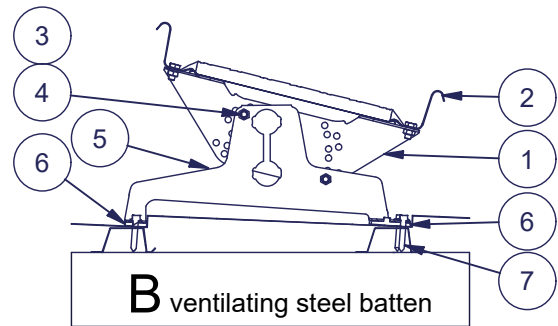
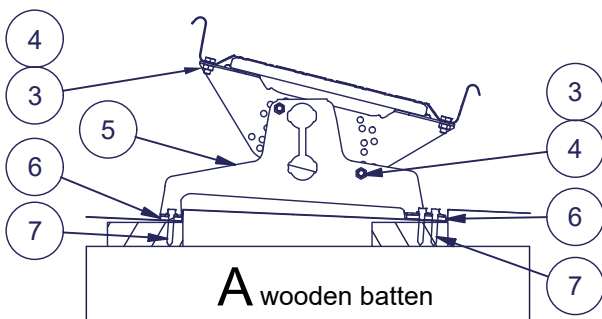
The roof brackets shall be installed to the under structures (battens) with HVAC-screws (7) as follows:

- Wooden batten: (min. 32 mm x 100 mm): HVAC-screw, 3 pcs / bracket (figures A and C)
- Ruukki ventilating steel batten: HVAC-screw, 3 pcs / bracket and 4 pcs / outmost brackets (figures B and D)

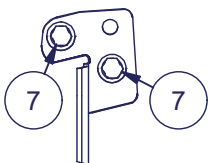
Install the inclination adjustment plate (1) to the roof bracket by using 2 pcs of M8x16 hexagon bolts and M8 hexagon nuts. The most common roof inclinations and corresponding hole placements are demonstrated in figure E.

The walkway shall be fixed to each inclination adjustment plate by using 2 pcs of M8x16 hexagon bolts and M8 hexagon nuts. The extension of the walkways shall be done by overlapping and securing the connection from both sides by using 2 pcs of M8x16 hexagon bolts and M8 hexagon nuts (figure F).

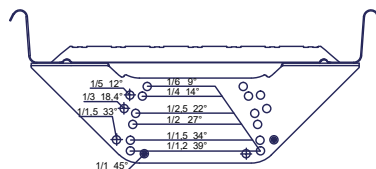
The edges of the roof walkway chain shall not outreach the closest roof brackets by more than 200 mm. The distance between the roof brackets shall not be more than 1000 mm.



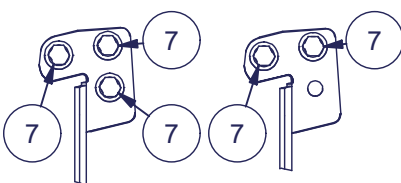
C Wooden batten



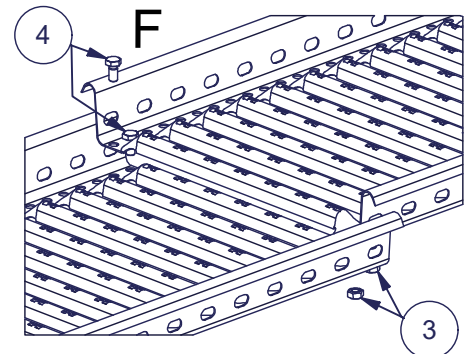
E



D Ventilating steel batten



Outmost roof brackets Roof bracket



Part	Description
1	Inclination adjustment plate
2	Roof walkway 350 mm x length
3	M8 hexagon nut
4	M8x16 hexagon bolt
5	SG Tile sheet roof 350
6	SG Tile sheet roof gasket set
7	HVAC-screw, 7x40 or 7x50 mm

USE

A roof walkway must be used when the roof inclination is more than 1:8. If the height of the building is more than 9 meters, safety rope fixing structures must be provided (Finnish Ministry of the Environment, Decree on the safe use of buildings on January 1, 2018). Standard EN 516 provides two installation options for roof walkways: class 1 and class 2. Using personal fall protection equipment, a person is only allowed to attach themselves to a roof walkway, which is installed in accordance with class 2.

The Pisko roof walkway is manufactured in compliance with EN 516 and the roof walkway system with SG tile sheet roof 350 bracket has passed the static and dynamic tests specified in the relevant standard for class 2.

A horizontal carriage that moves along the Pisko safety rail or, alternatively, a rope fastener is used as a safety-rope attachment point with Pisko roof walkways for tile sheets with 350 mm batten spacing (see the separate installation instructions for these products). In addition, when a safety rope is used, the following shall be taken into account:

- Only one user at a time may attach a safety rope to the roof ladder, and the user's total mass, including equipment shall not exceed 150 kg.
- The distance between attachment points must be at least four (4) meters if more than one user is attached to the same roof walkway or horizontal safety rail.
- The safety rope may only be used on the side of the roof where the roof walkway is and in the direction of the eaves.

MAINTENANCE

Pisko products are hard-wearing and safe to use, guaranteed by the ongoing quality control and development work by Piristeel Ltd, as well as correct installation of the products according to the manufacturer's instructions. To ensure the reliability and safety of the products, the property owner must carry out yearly inspection and maintenance procedures, and monitor that the snow load specified by the regulations is not exceeded.

The property owner must have all roof safety products, that have been installed and used according to class 2, and personal safety equipment inspected by a professional authorized by the manufacturer.

Yearly maintenance inspection checklist for Pisko products:

- Check the tightness of joints, connections and attachments.
- Check the roof attachments (fixings).
- Ensure any excessive snow load is cleared to minimize the strain on structures and attachment points (as necessary; there might be a need several times during the winter).
- As necessary, clear the roof walkways of snow and ice.
- Check the paintwork and zinc coating of the products; repair faults and touch up paintwork if necessary
- Replace or repair any damaged or faulty parts as soon as possible.

Piristeel Oy Metallitie 4, 62200 Kauhava Finland 19
EN 516 Pisko Roof Walkway SG tile sheet roof 350 mm, 1357 Type B Mechanical strength: Class 1 and Class 2 Reaction to fire: Class A1 Durability: Z275 + powder coating 80 µm External fire performance: DTS

This product has been installed by

COMPANY

INSTALLER

According to class 1:

According to class 2: