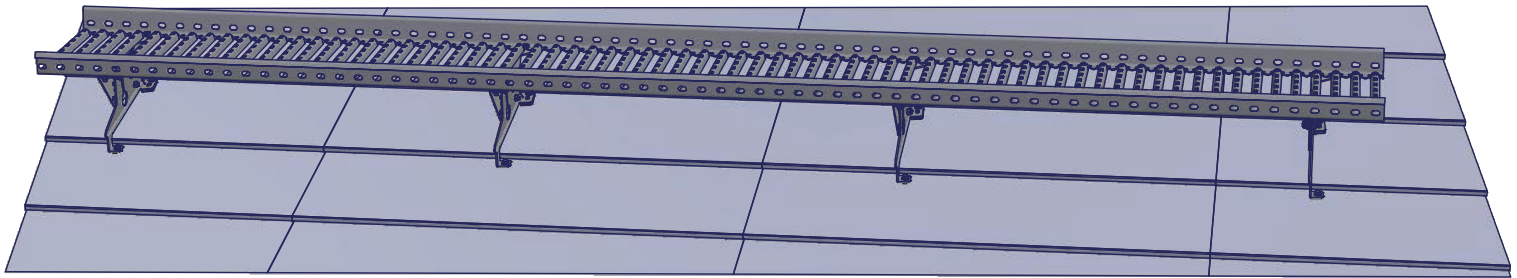


## PISKO ROOF WALKWAY RUUKKI HYYGGE 290, 1359



### INSTALLATION

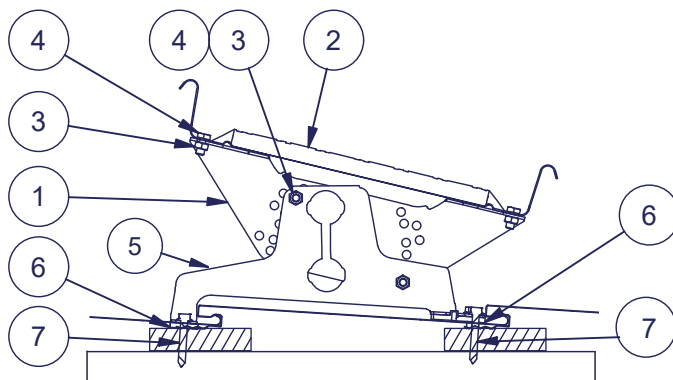
Place the sealants (6) to the roof bracket (5).

The roof brackets shall be installed to the under structures (wooden battens) with HVAC-screws (7) as follows: Batten size min. 32mm x 100mm. Use HVAC-screws for fixing, 3 pcs / bracket (figures A and B)

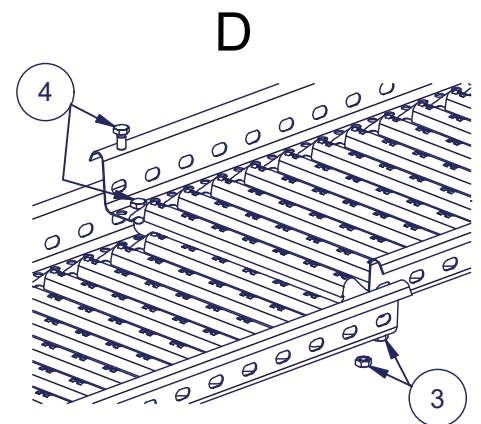
Install the inclination adjustment plate (1) to the roof bracket by using 2 pcs of M8x16 hexagon bolts and M8 hexagon nuts. The most common roof inclinations and corresponding hole placements are demonstrated in figure C.

The walkway shall be fixed to each inclination adjustment plate by using 2 pcs of M8x16 hexagon bolts and M8 hexagon nuts. The extension of the walkways shall be done by overlapping and securing the connection from both sides by using 2 pcs of M8x16 hexagon bolts and M8 hexagon nuts (figure D).

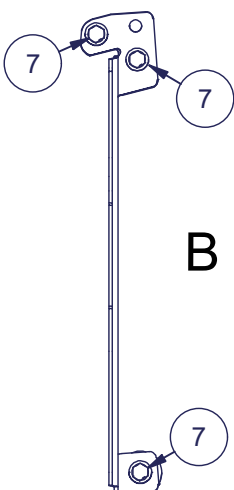
The edges of the roof walkway chain shall not outreach the closest roof brackets by more than 200 mm. The distance between the roof brackets shall not be more than 1000 mm. Always use at least three brackets when installing a roof walkway.



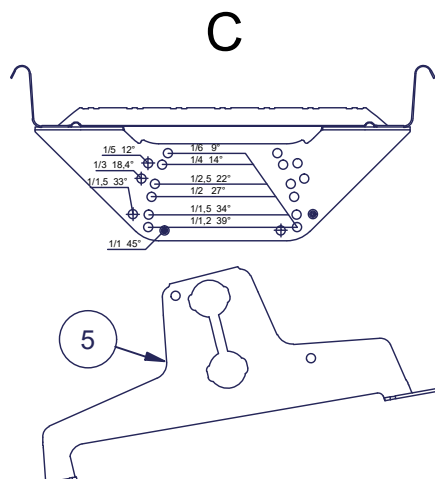
A



D



B



C

Part	Description
1	Inclination adjustment plate
2	Roof walkway 350 mm x length
3	M8 hexagon nut
4	M8x16 hexagon bolt
5	SG Ruukki Hyygge 290
6	SG Tile sheet roof gasket set
7	HVAC-screw 7x50 mm

## USE

A roof walkway must be used when the roof inclination is more than 1:8. If the height of the building is more than 9 meters, safety rope fixing structures must be provided (Finnish Ministry of the Environment, Decree on the safe use of buildings on January 1, 2018). The EN 516 standard gives two performance classes for roof walkways: class 1 and class 2. Class 1 means that the product is suitable for use as access way and class 2 means that the product can also be used as a safety rope anchoring point. Personal fall arresters may only be attached to class 2 roof walkways. Pisko roof walkway has been dimensioned against 1,5 kN (~150 kg) concentrated load (load from the user).

The Pisko roof walkway is manufactured in compliance with EN 516 and the roof walkway system has passed the static and dynamic tests specified in the relevant standard for class 2. An appropriate safety rope can be fixed to a roof walkway, which is installed in accordance with class 2. The safety rope must be intended to be used as a personal safety rope and it must conform to relevant standards such as e.g. EN 353-2 and should be equipped with a shock absorber (EN 355). A Pisko SafeLine wire system's glider, a horizontal carriage that moves along the Pisko safety rail or, alternatively, a rope fastener is used as a safety rope attachment point with Pisko roof walkways (see the separate installation instructions for these products). Moreover, the following must be taken into consideration when using a safety rope:

- Only safety ropes (e.g. EN 353-2) or retractable lanyards (EN 360) that are meant to be used as a personal fall protection equipment should be used
- Only one person at a time, with a total weight of max. 150 kg, including the equipment, is allowed to fix a safety rope to a safety rope anchoring point.
- The distance between attachment points must be at least four (4) meters if more than one user is attached to the same roof walkway or horizontal safety rail.
- More than one person can be attached simultaneously to the Pisko SafeLine that is installed on a roof walkway, provided that there is at least two wire holder brackets in between the users. More information on Pisko SafeLine installation instructions.
- The safety rope may only be used towards the eave on the pitched roof area where the roof walkway is installed.

## MAINTENANCE

Pisko products are hard-wearing and safe to use, guaranteed by the ongoing quality control and development work by Piristeel Ltd, as well as correct installation of the products according to the manufacturer's instructions. To ensure the reliability and safety of the products, the property owner must carry out yearly inspection and maintenance procedures, and monitor that the snow load specified by the regulations is not exceeded. NOTE! Roof walkway installed as access way is not intended to be used as snow guards. Heavy snow loads can permanently damage the walkway and its fastening system. If necessary, the roof walkway should be protected from snow loads with snow guards and snow loads should be removed from the roof walkway in good time.

**To ensure the durability of the performance of the products, the property owner should have the class 2 roof safety products inspected annually by a person authorised by the manufacturer.**

Yearly maintenance inspection checklist for Pisko products:

- Check the tightness of joints, connections and attachments.
- Check the roof attachments (fixings).
- Ensure any excessive snow load is cleared to minimize the strain on structures and attachment points (as necessary; there might be a need several times during the winter).
- As necessary, clear the roof walkways of snow and ice.
- Check the paintwork and zinc coating of the products; repair faults and touch up paintwork if necessary
- Replace or repair any damaged or faulty parts as soon as possible.

<b>Piristeel Oy</b> <b>Metallitie 4, 62200 Kauhava</b> <b>Finland</b> <b>19</b>
<b>EN 516</b> Pisko Walkway SG Ruukki Hyggye 290, 1359 Type B <b>Mechanical strength:</b> Class 1 and Class 2 <b>Reaction to fire:</b> Class A1 <b>Durability:</b> Z275 + powder coating 80 µm <b>External fire performance:</b> DTS

**This product has been installed in accordance with the installation instructions by**

Company	Installer	Date