

**PISKO SAFEGRIP ROOF LADDER FOR LOAD BEARING PROFILED SHEET OVER 70 MM OF HEIGHT**

Pisko roof ladders for load bearing profiled sheets over 70 mm of height are used as extensions of wall-mounted ladders and/or roof walkways to create safe access paths on a load bearing profiled sheet roofs (profile height over 70 mm). It must be possible to move safely on the roof from the eaves to the ridge, chimney, sunroofs and other areas requiring maintenance. Pisko ladders have a rung-width of 400 mm and rung diameter of 25 mm. When roof ladder is mounted on top of load bearing profiled sheet, it is always recommended to use Pisko step level for roof ladder to improve safe movement on the roof.

**INSTALLATION**

Roof ladders must be attached to the load bearing structures of the roof, at least at the top and bottom ends of the ladder (EN 12951, Section 5.3.1). Due to the strain created by snow loads, we recommend the use of more fastenings.

When roof ladder is mounted on top of the crown of the profile, the sheet must be designed and executed as a load bearing steel structure, and the minimum thickness of the material is 0.70 mm.

The top pair of roof ladder fasteners are always mounted between the top two ladder frames (figure 1).

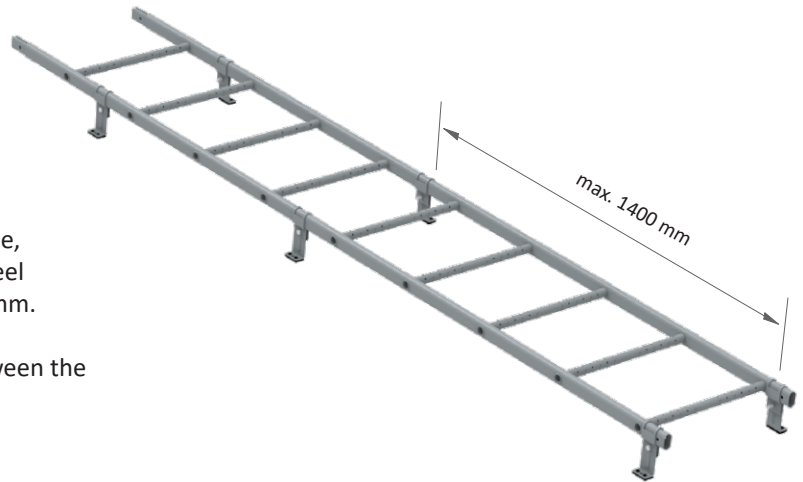


figure 1

- Install the roof ladder fasteners on the ladder frame at max. 1400 mm intervals (figure 1). Attach the roof ladder fasteners with M8x30 hexagon bolt to the ladder frame (figure 2).
- Place the EPDM Rubber sealants at the base of the roof ladder fasteners and attach fasteners to the crown of the profile sheet with 7x40 HVAC screw (figure 5).
- If necessary, the extension of the ladder frame shall be done by adding the ladder frame to the top of the previous frame (figure 4). Secure the joint with M8x40 hexagon bolt and M8 hexagon nut (figure 4).

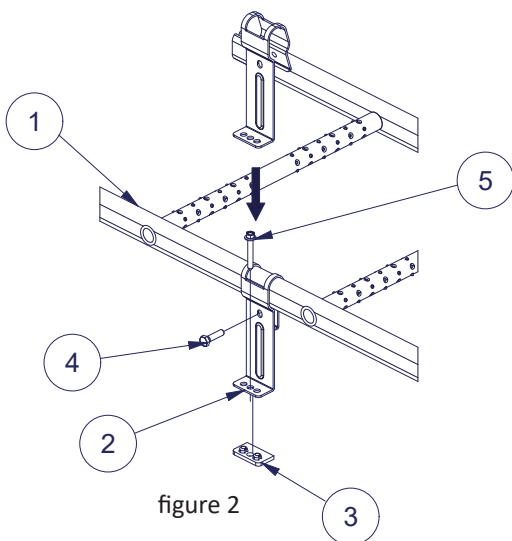


figure 2

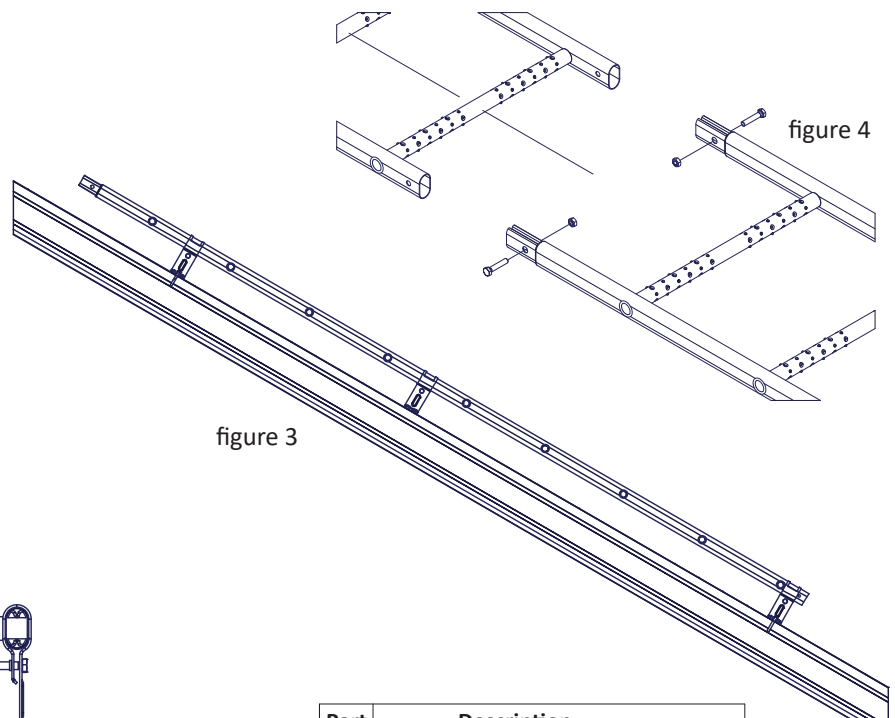


figure 3

figure 4

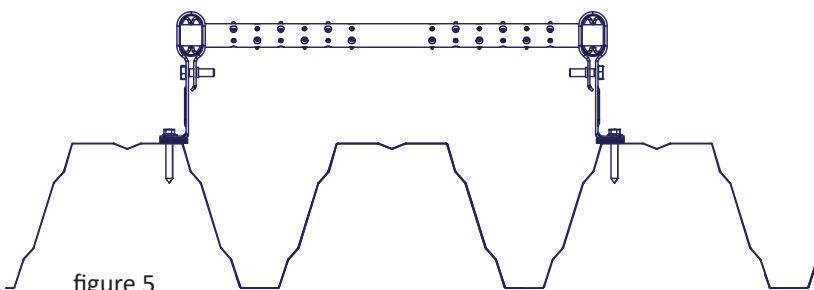


figure 5

Part	Description
1	Pisko SafeGrip ladder
2	Roof ladder fastener, height 134 mm
3	EPDM rubber sealant
4	Hexagon bolt M8x30 mm
5	HVAC-screw 7x40 mm

## USE

Roof ladder must be used when the roof inclination is more than 1:8. If the height of the building is more than 9 meters, safety rope fixing structures must be provided (Ministry of the Environment Decree on the safe use of buildings on January 1, 2018). Standard EN 12951 provides two installation options for roof ladders: class 1 and class 2. Using personal fall protection equipment, a person is only allowed to attach themselves to a roof ladder, which is installed in accordance with class 2.

The Pisko roof ladder for load bearing profiled sheet (over 70 mm of height) roof conforms to standard EN 12951, having undergone static and dynamic tests per class 1. Roof ladder should not be used as fixed point for personal protective equipment, when the ladder frame has been fixed only to the surface of the load bearing sheet.

## MAINTENANCE

Pisko products are hard-wearing and safe to use, guaranteed by the ongoing quality control and development work by Piristee Ltd, as well as correct installation of the products according to the manufacturer's instructions. To ensure the reliability and safety of the products, the property owner must carry out yearly inspection and maintenance procedures, and monitor that the snow load specified by the regulations is not exceeded.

Yearly maintenance inspection checklist for Pisko products:

- Check the tightness of joints, connections and attachments.
- Check the roof attachments (fixings).
- Ensure any excessive snow load is cleared to minimize the strain on structures and attachment points (as necessary; there might be a need several times during the winter). As necessary, clear the roof ladders of snow and ice.
- Check the paintwork and zinc coating of the products; repair faults and touch up paintwork if necessary
- Replace or repair any damaged or faulty parts as soon as possible.

<b>CE</b>
<b>Piristee Oy</b> <b>Metallitie 4, 62200 Kauhava</b> <b>Finland</b> <b>18</b>
<b>EN 12951</b> Pisko SafeGrip roof ladder for load bearing profile metal sheet roof, 1345  <b>TB</b>  <b>Mechanical strength: Class 1</b>  <b>Reaction to fire: Class A1</b>  <b>Durability: Z275 + powder coating 80 µm</b>  <b>External fire performance: DTS</b>