

PISKO SAFEGRIP ROOF LADDER FOR 32 MM HIGH LOCK SEAM ROOF, 1340

Pisko roof ladders for 32 mm high lock seam roofs are used as extensions of wall-mounted ladders and/or roof walkways to create safe access paths on 32 mm high lock seam roofs. It must be possible to move safely on the roof from the eaves to the ridge, chimney, sunroofs and other areas requiring maintenance. Pisko ladders have a rung width of 400 mm and rung diameter of 25 mm.

INSTALLATION

Corrosion protection of all fasteners must be at least 50 µm zinc.

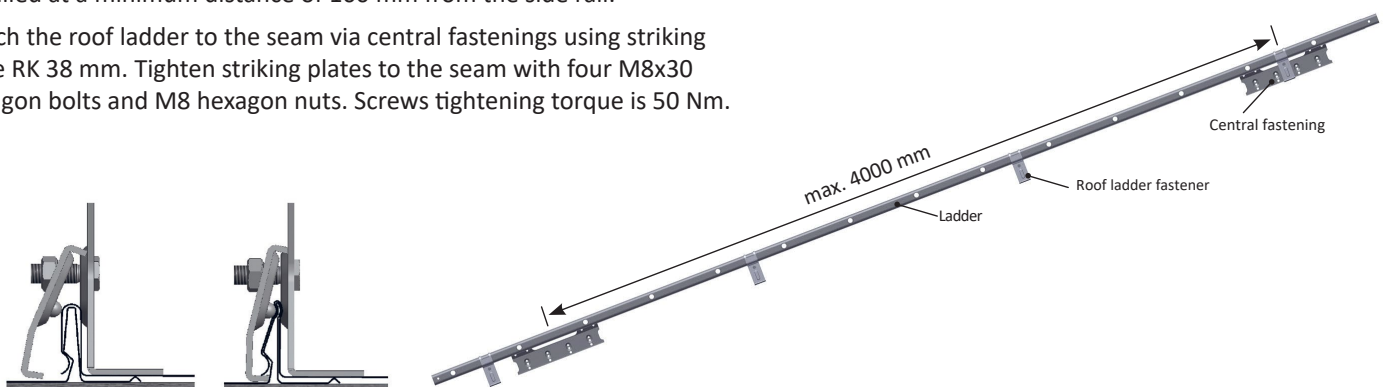
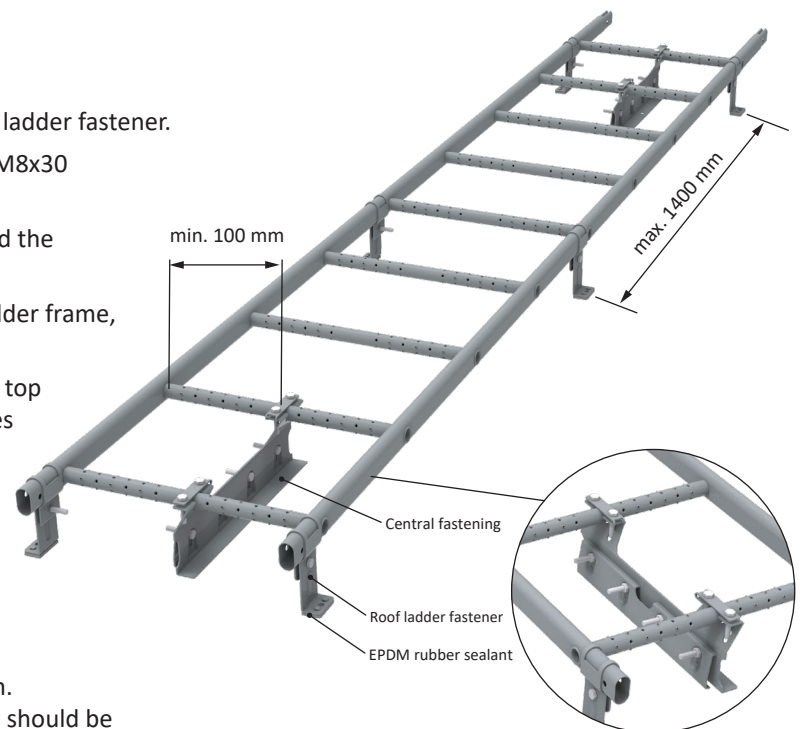
Roof ladders must be attached to the load-bearing structures of the roof, at least at the top and bottom ends of the ladder (EN 12951, Section 5.3.1). Due to the strain created by snow loads, we recommend the use of more fastenings.

If the ladder is to be extended, the extension must be attached to the top end of the ladder. Secure the joint with M8x40 hexagon bolt and M8 hexagon nut.

You will need the following for the installation: roof ladder central fastenings for the ladder's top and bottom ends, roof ladder fasteners and striking plate RK 38 mm for central fastenings.

Installation according to class 1 / class 2:

- Place the EPDM Rubber sealants on the base of the roof ladder fastener.
- Attach the roof ladder fastener to the side rail with one M8x30 hexagon bolt and M8 hexagon nut.
- If necessary, the roof ladder fastener can also be installed the other way around.
- Install the roof ladder fasteners in their places on the ladder frame, with maximum intervals of 1400 mm.
- Install the roof ladder's central fastenings at least on the top and bottom ends of the ladder. Fold the mounting flanges of the central fastening in their positions.
- The maximum distance between central fastenings is 4000 mm.
- Attach the central fastening to the rungs with four M8x30 hexagon bolts.
- Lift the assembled roof ladder onto the roof.
- Install the central fastening covers against an intact seam. Leave one rung free at the bottom. The central fastening should be installed at a minimum distance of 100 mm from the side rail.
- Attach the roof ladder to the seam via central fastenings using striking plate RK 38 mm. Tighten striking plates to the seam with four M8x30 hexagon bolts and M8 hexagon nuts. Screws tightening torque is 50 Nm.



USE

Roof ladder must be used when the roof inclination is more than 1:8. If the height of the building is more than 9 meters, safety rope fixing structures must be provided (Ministry of the Environment Decree on the safe use of buildings on January 1, 2018). Standard EN 12951 provides two installation options for roof ladders: class 1 and class 2. Using personal fall protection equipment, a person is only allowed to attach themselves to a roof ladder, which is installed in accordance with class 2.

The Pisko roof ladder for 32 mm high lock seam roof conforms to standard EN 12951, having undergone static and dynamic tests per class 2. A safety rope can be fixed to a roof ladder, which is installed in accordance with class 2. Moreover, the following must be taken into consideration when using a safety rope:

- Only one person at a time, with a total weight of max. 150 kg, including the equipment, is allowed to fix a safety rope to the rung of the roof ladder.
- The safety rope must not be fixed to the free rungs below the lowest fastener that is fixed to the roofing / roof boards or to the roof ladder fasteners.
- The safety rope may only be used towards the eave on the pitched roof area where the roof ladder is installed.

MAINTENANCE

As long as the Pisko products are installed in accordance with the instructions, they have a long life cycle and they are safe to use, guaranteed by the continuous quality control and R&D by Piristeel Oy. In order to ensure the safe use and the long life cycle, the property owner must perform the annual inspection and maintenance procedures and ensure that the snow load is not exceeded, as specified in the regulations.

The property owner must check the roof safety products and personal protective equipment, installed in accordance with class 2, by outsourcing this annually to a person authorized by the manufacturer.

The annual inspection and maintenance areas for the Pisko products:

- Check the tightness of the joints and points of attachment.
- Check the fastenings in the roof.
- Remove the excessive snow load in order to minimize the stress on structures and points of attachment (as necessary, several times during winter).
As necessary, remove snow and ice from the floor bridges.
- Check the the painted and galvanized product surfaces and, as necessary, repair local damages and perform touch-up painting.
- Replace or repair any damaged or faulty parts as soon as possible.

Piristeel Oy Metallitie 4, 62200 Kauhava Finland 18
EN 12951 Pisko SafeGrip roof ladder for 32 mm high lock seam roof, 1340 TB Mechanical strength: Class 1 and Class 2 Fire safety: Class A1 Durability: Z275 + powder coating 80µm Resistance to external fire: Estimated to meet the requirement

This product has been installed by

COMPANY

INSTALLER

According to class 1:

According to class 2: