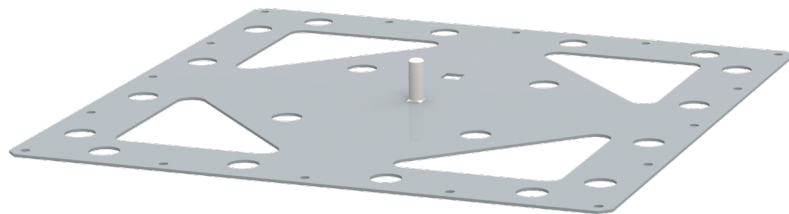


Mounting plate for waterproofing membrane roofs



A brand-new product for installation of roof safety products and anchor points onto fiber-reinforced bitumen sheet roofings and PVC roofings.

Can be installed without screw fastening onto surfaces that don't allow for mechanical installation of mounting plate. This product allows for retrofitting additional products onto bitumen sheet roofs without puncturing the roofing material. For more information on the strength requirements of roofing materials, please see the installation instructions. Plate is also suitable to be mechanically fixed on roof structures, that have limited membrane strength capacity.

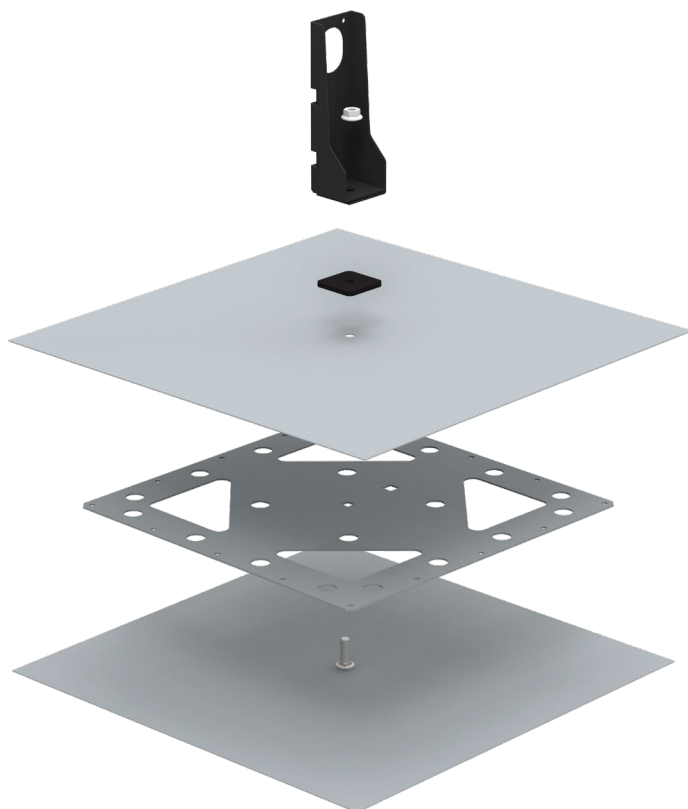
Proven safety

The mounting plate made of high-quality domestic Galvan-coated steel.

Following product applications have been tested on bitumen sheet roofings:

- roof walkways (SFS-EN 516)
- snow guards (SS 831335)
- roof ladders (SFS-EN 12951)
- anchor points (SFS-EN 516)

The PVC roofing meets the type testing requirements for anchor point installation (SFS-EN 516).



Stainless steel fixings compatible with the mounting plate:

Mounting plate bolt 30mm, A2 (662)
Nova code: 82501

M10 Flange nut DIN 6923, A2 (663)
Nova code: 82464

