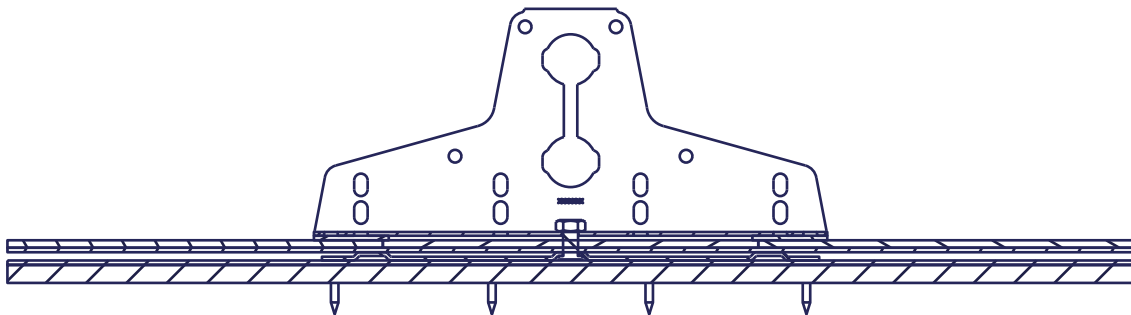
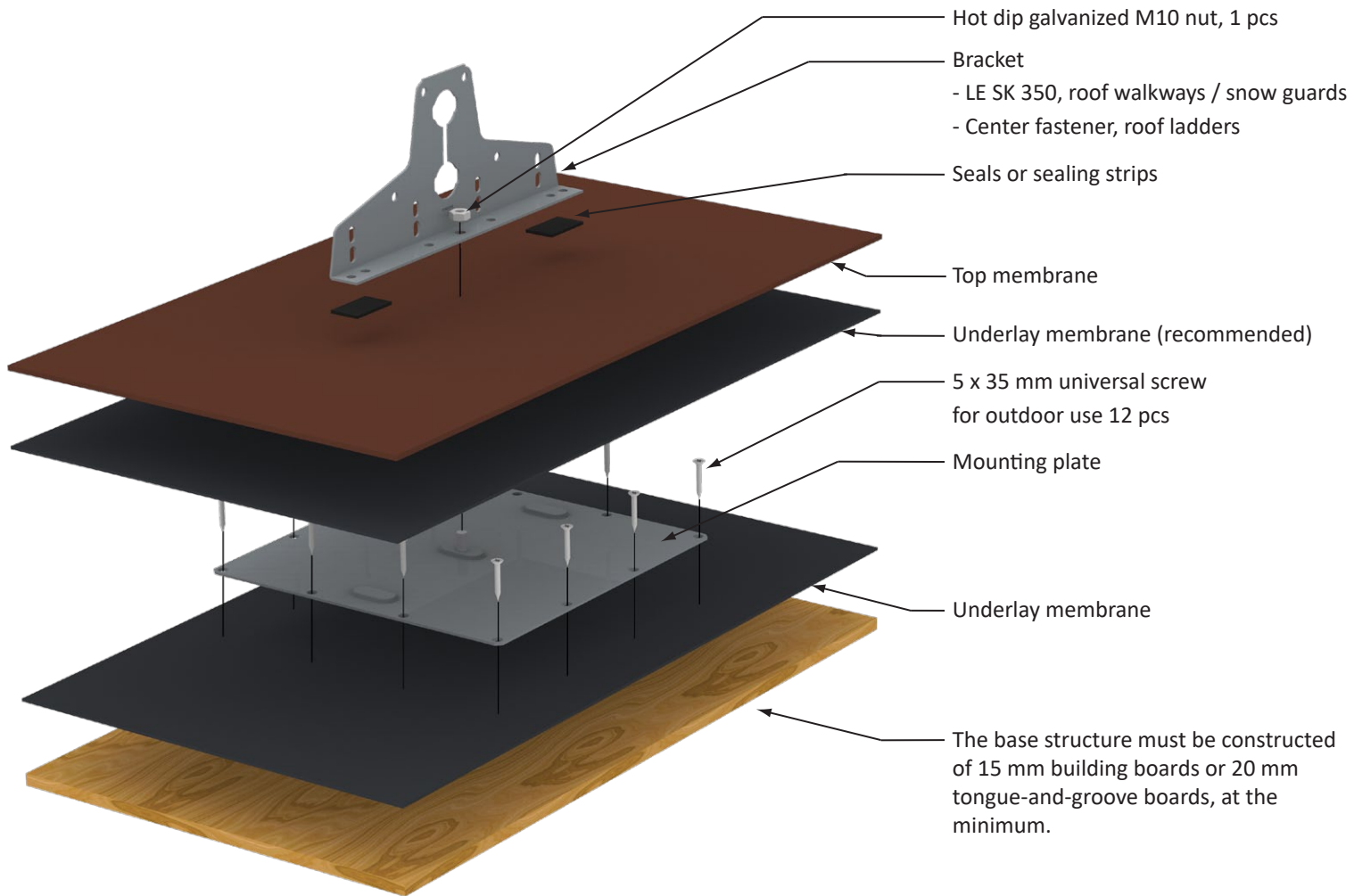


MOUNTING PLATE FOR BITUMEN ROOF



1. Install the mounting plate on the roofing and fix it to the base structure by using 5 x 35 mm universal screws (12 screws). The base structure must be constructed of 15 mm building boards or 20 mm tongue-and-groove boards, at the minimum.
2. If desired, you can mount a piece of underlay membrane on top of the mounting plate. Threads of the M10 bolt must be protected during installation of the top membrane and sealing of the lead-through holes.
3. Install the top membrane and seal the M10 thread lead-through holes, according to the installation instructions by the bitumen roof manufacturer.
4. Fix dedicated seals to the ends of the base of the bracket. Alternatively, two pieces of approx. 50 mm long sealing strips may be used instead of the seals.
5. Fix the bracket to the mounting plate by using one hot dip galvanized M10 nut.