

An all-new solution for easy and efficient sealing of screw-mounted roof safety products!

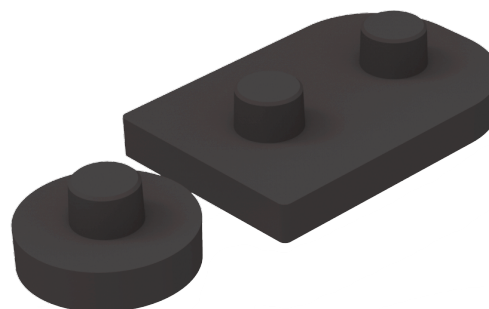
This seal can be used in all installation conditions, and it works with most Pisko fasteners.

A versatile solution

Suitable for use with most Pisko snow guard fasteners – along with tile-pattern steel roof fasteners and straight profile snow guard fasteners.

Suitable for all installation conditions, efficient and easy to use. Forget glues or hassle at the site with multiple seals – simply press the seal unto the fastener base prior to installation!

Always instruct the installer to use the right number of screws. Allows for many types of sealing solutions by combining one and two-screw seals in the seal kit.



Durable and watertight

The innovative product design makes for easy installation and an improved watertight seal between the screw stem and the snow guard fastener. The material holding the seal in place fills and seals the hole automatically during installation.

This improves the watertight seal, even when using non-sealing fixing screws.

The seal also reduces distress to the screwhead during installation – it's easy to find the right tightening torque, with decreased risk of damage to the screwhead corrosion protection.

Other benefits of the product design

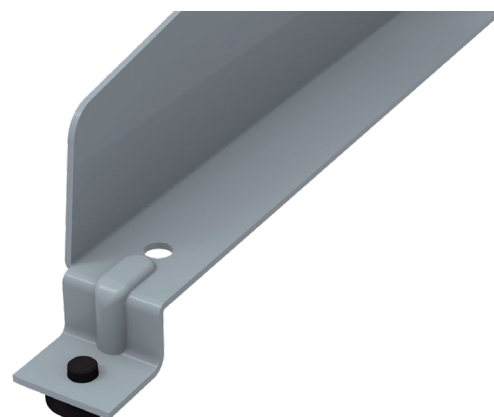
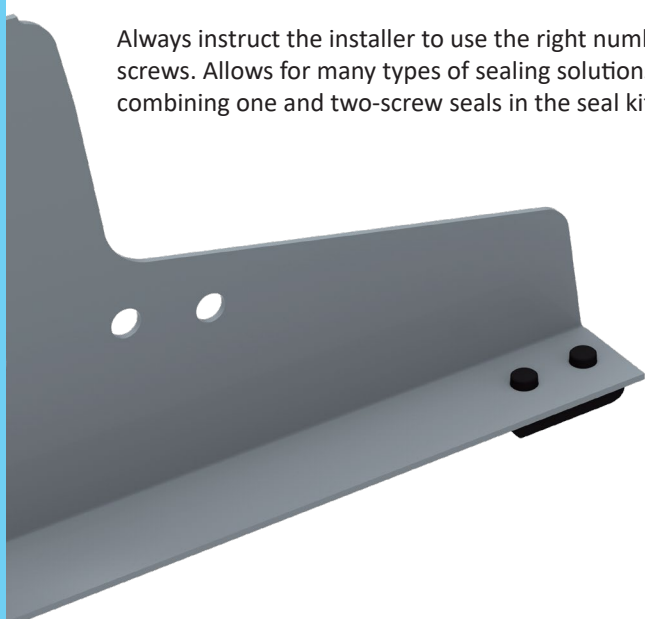
Due to the rounded edges, water flows naturally around the seals.

The support spacers ensure that the seal stays in place when installed under fasteners.

Also provides thermal insulation – the seal helps prevent sunlight from causing overheating with the snowguard fastener on bitumen sheet roofs.

The seal is made of UV protected recyclable TPE material. It's long-lasting with superior weather and chemical resistance.

The seal is under utility model protection, and therefore available only as part of the Pisko product family.



SAP-CODE / NOVA-CODE	PRODUCT NAME
D009.A57183 / 81139	Pisko 2+1 seal