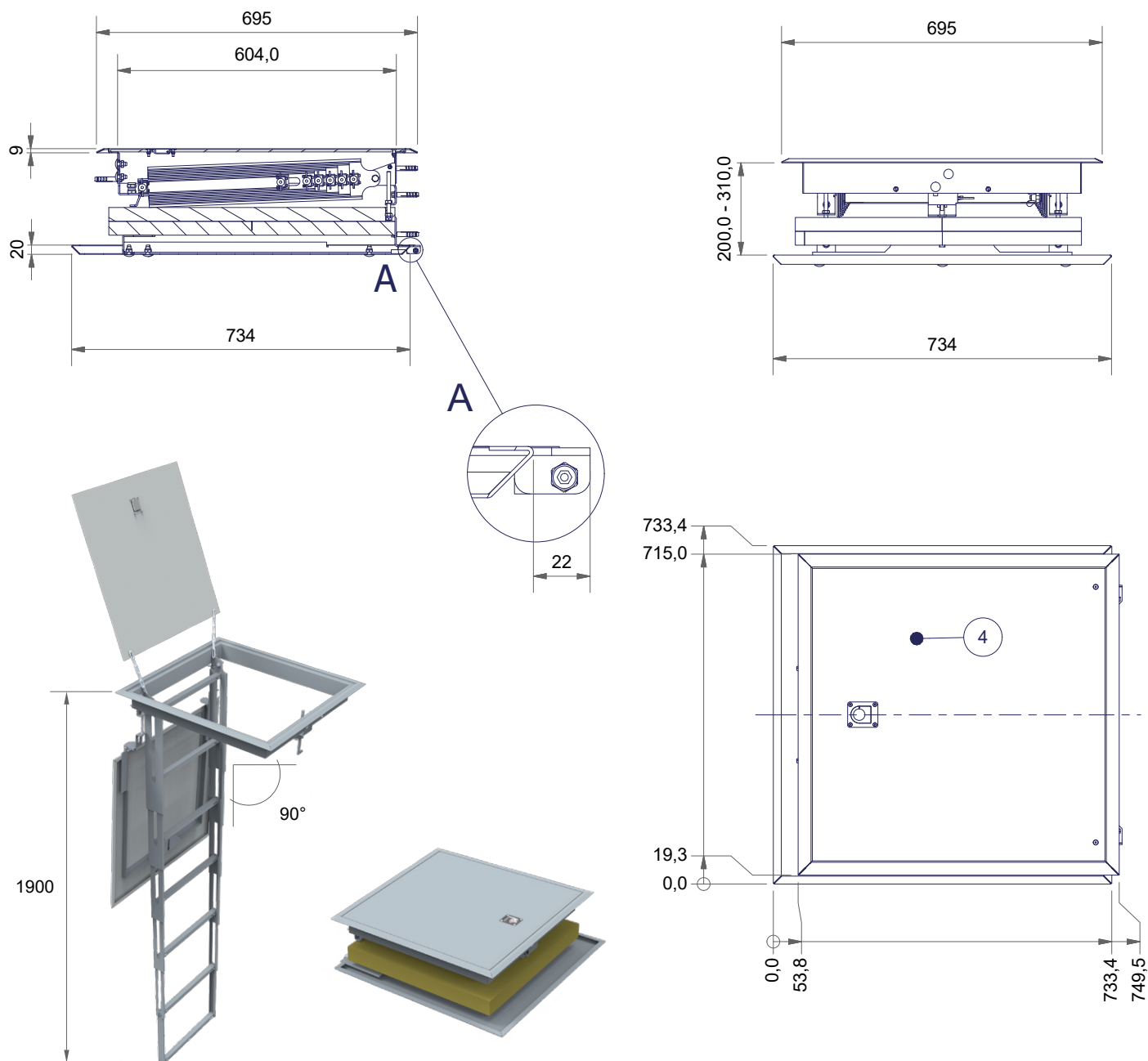


PRODUCT INFORMATION CARD

Pisko emergency exit hatch 620x620



Product:	Pisko emergency exit hatch 620x620
Material:	1,5 - 2,5 mm DX51D + Z275, 5 mm Aluminum (EN AW 5754)
Dimensions:	Size of the opening in the balcony floor slab: 620 x 620 mm, minimum slab thickness 200 mm
Weight:	40 kg (incl. package)
Coating:	Powder-coated baked enamel finish
Conformity:	Type approval EI60: VTT-RTH-00016-16, EI120: VTT-RTH-00017-16
Applications:	Used as an emergency exit from one balcony to the balcony below it
Installation method:	Fixed installation in a concrete floor slab in accordance with the installation instructions

Requirements related to the Pisko emergency exit hatch

The emergency exit hatch is installed in an opening made in the balcony floor. The opening takes up an approximately 700x700 mm space of the surface area of the balcony and rises approximately 10 mm above the floor surface. The cover of the Pisko emergency exit hatch has been designed to endure so-called normal use, so it can be walked over, if necessary, and light objects may be placed on top of it. In case of a fire, it must, however, be possible to quickly move the objects away from the top of the hatch. For this reason, it is not advisable to cover the emergency exit hatch with a large rug, but, if a rug is used, it ought to be cut in a manner that enables the quick use of the hatch. The size of the bottom of the emergency exit hatch, which will be located at the ceiling of the balcony below, is 735 x 735mm. If so desired, the balcony below the emergency exit hatch may be furnished in a manner that does not prevent the use of the hatch in case of an emergency evacuation. If furniture is placed directly under the hatch, attention must be paid to ensuring that it does not prevent the extension of the ladder or the descent of the person exiting the balcony above via the ladder. For instance, a table that is 1,000 mm high can function as an exit platform and may thus be placed directly under the hatch. The above-mentioned issues must be taken into account in the placing of the emergency exit hatch and in connection with normal balcony use.

Use of the Pisko emergency exit hatch in case of an emergency

In an emergency, the cover of the hatch is opened. The sealed release lever is turned 90° to open the bottom hatch. The fire-resistant wool on top of the bottom hatch is pushed down. The telescopic ladder is then lifted off its bracket and allowed to descend. Now the ladder is ready for use. More detailed operating instructions are available inside the hatch, and they become visible after the cover has been opened.

NOTE! The hatch is sealed and laminated operating instructions are placed inside it in connection with the installation. The seal must remain intact. If someone breaks the seal and uses the hatch for no reason, the housing company, and consequently the resident, will be sent an invoice of 300 euros for the reassembly and resealing of the hatch.

Maintenance and operating life of the Pisko emergency exit hatch

The Pisko emergency exit hatch has been designed to last for the service life of the balcony when used under normal conditions. If there is reason to believe that the emergency exit hatch has been exposed to particularly harsh environmental conditions, an authorized Pisko inspector must be requested to check the condition of the hatch. The contact information of the inspectors is available at www.piristeel.fi.



Emergency exit hatch installed



Emergency exit hatch from below